

MINIMUM SPECIFICATIONS OF "NO PARKING FIRE LANE SIGNS "

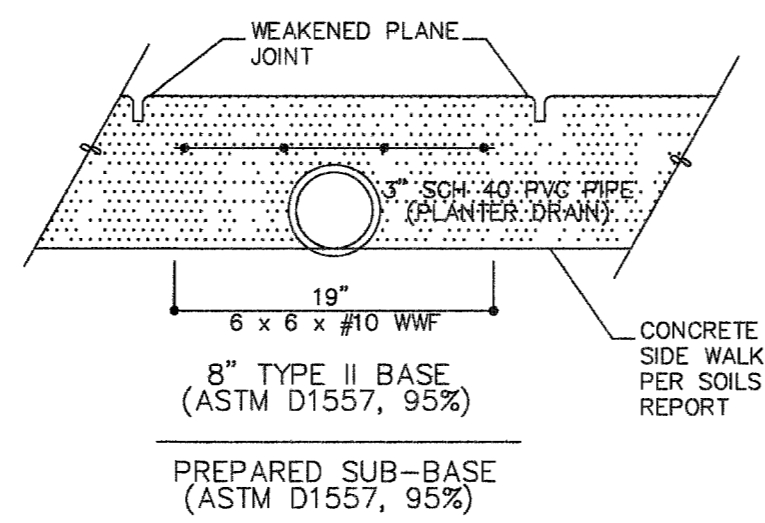
SIZE: 1' WIDE x 1 1/2' LONG OR 2' WIDE x 2 1/2' LONG AS REQUIRED

COLOR: RED AND BLACK ON WHITE LUMINOUS BACKGROUND (SEE ABOVE EXAMPLE)

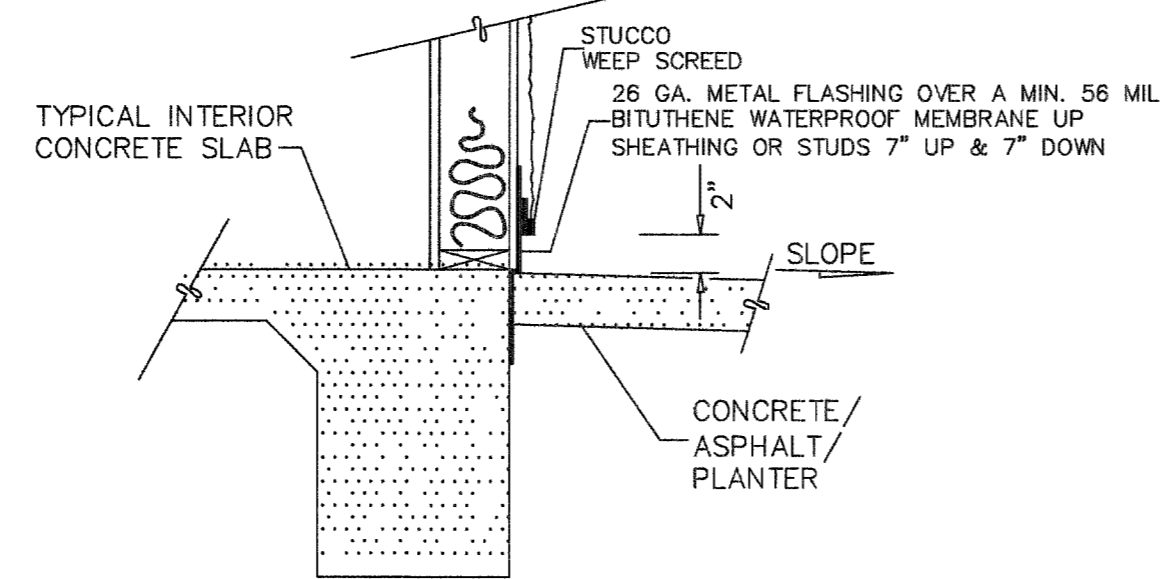
SYMBOL: INTERNATIONAL NO PARKING SYMBOL

HEIGHT: TO BE INSTALLED NOT LESS THAN SEVEN (7) FEET NOR MORE THAN TEN (10) FEET FROM GROUND LEVEL

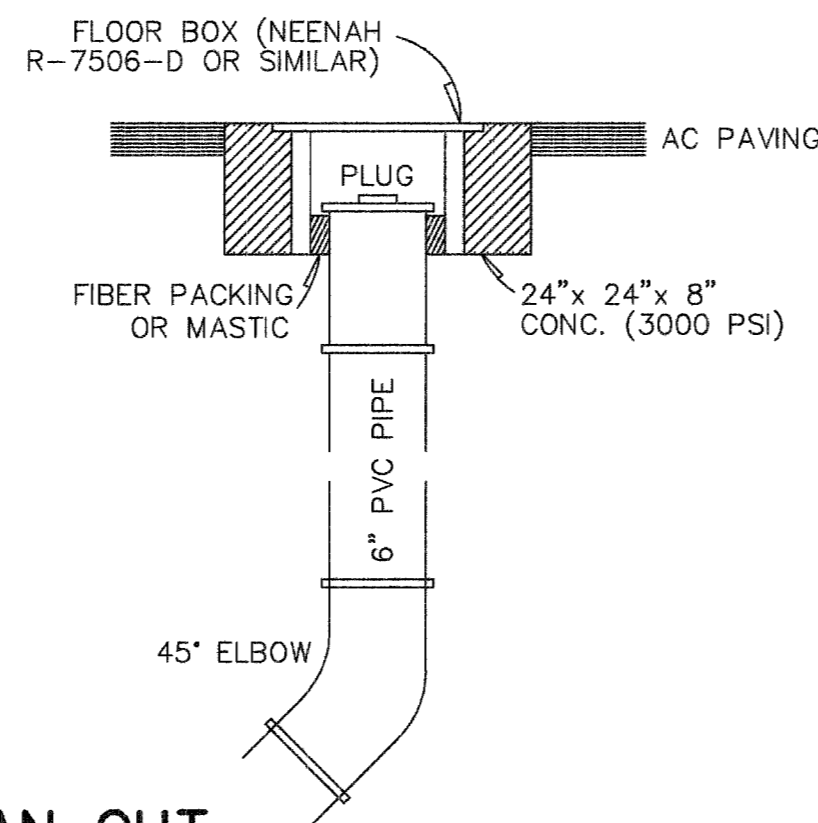
**14**  
12~15  
**FIRE LANE SIGN**  
CITY OF LAS VEGAS



**11**  
4~7  
**PLANTER DRAIN**

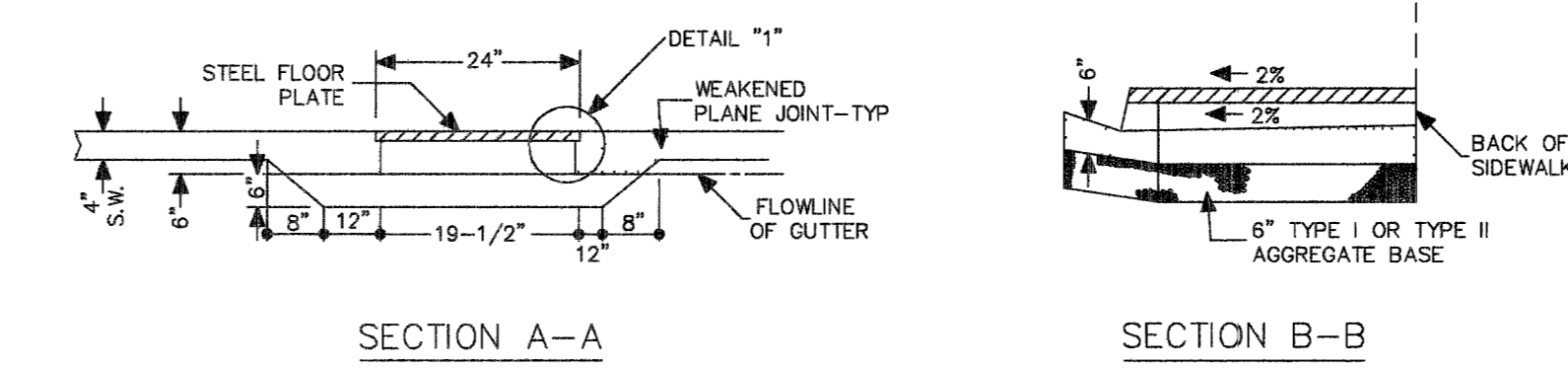
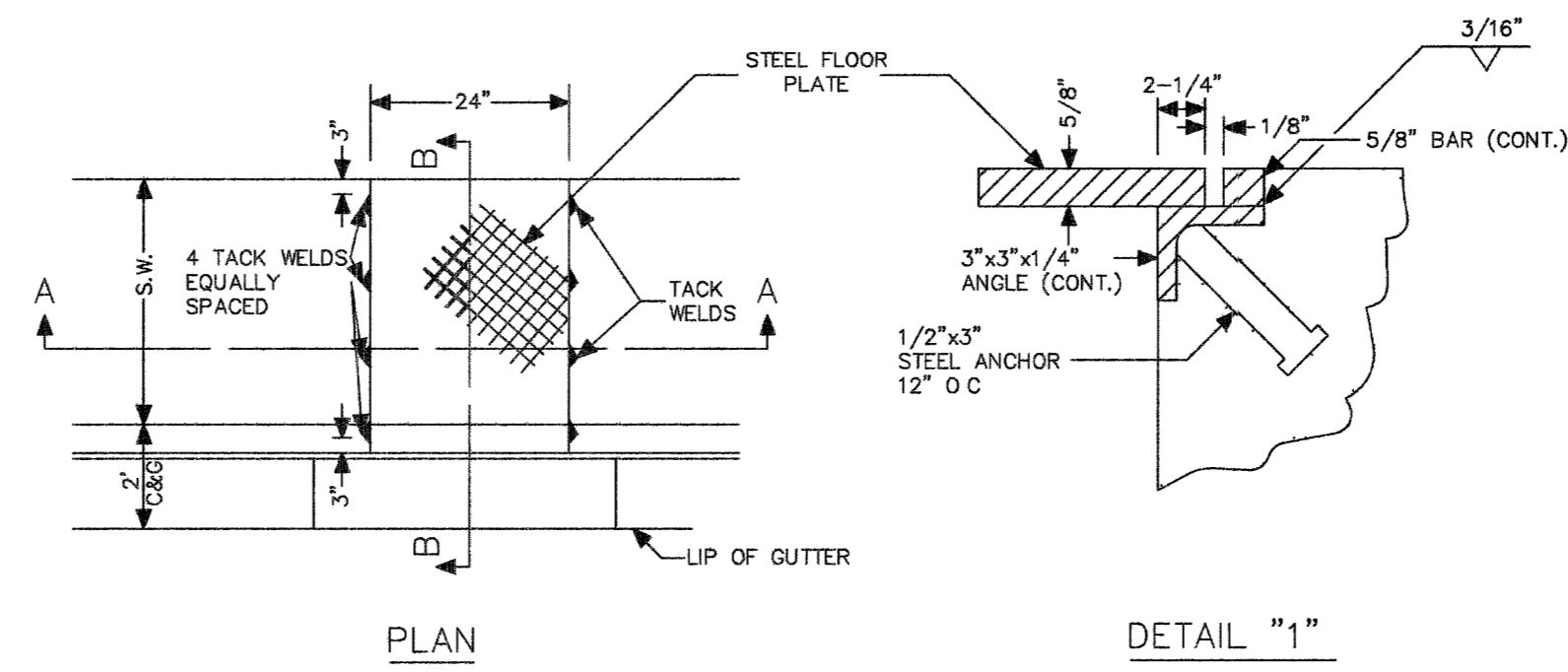


**14**  
4~7  
**SECTION**  
ADJACENT TO BUILDING W/ SIDE WALK (AC PAVING)



**S**  
8~11  
**SEWER CLEAN OUT**  
w/ TRAFFIC RATED COVER

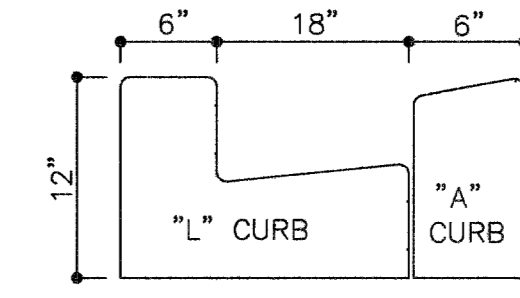
**SIDEWALK DRAIN**



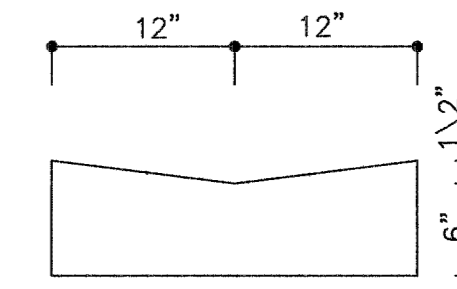
NOTES:

1. IF WIDTH IS GREATER THAN 24", A SPECIAL DESIGN IS REQUIRED.
2. ALL EXPOSED METAL PARTS SHALL BE GALVANIZED AND ALL GALVANIZING DAMAGED BY FABRICATION OR INSTALLATION SHALL RECEIVE TWO COATS OF ALUMINUM PAINT (GALVONOX OR EQUAL).

**15**  
4~7  
**SIDEWALK DRAIN**



**5**  
4~7  
**DRAIN THRU**  
(ON SITE)



**1**  
4~7  
**24" VALLEY GUTTER**

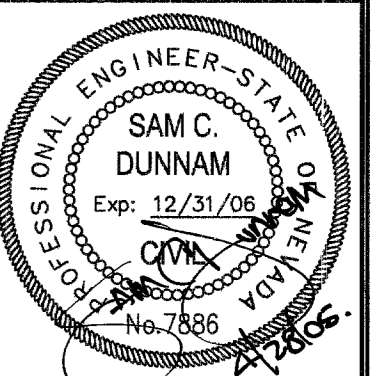
NO.	DATE	REVISION

**DUNNAM CIVIL ENGINEERS**

3471 WEST QUENDRO ROAD SUITE 101  
LAS VEGAS, NV 89118  
(702) 798-1088 (702) 367-8145 FAX

**FLEX BLDGS #3 & #4**  
**@ RANCHO AIR CENTER**

DETAILS



FILE NAME:  
KALB54D2.dwg  
SCALE:  
1" = 1'  
SHEET

**17**

OF SEVENTEEN

CLV DRAWING #  
10713785-3