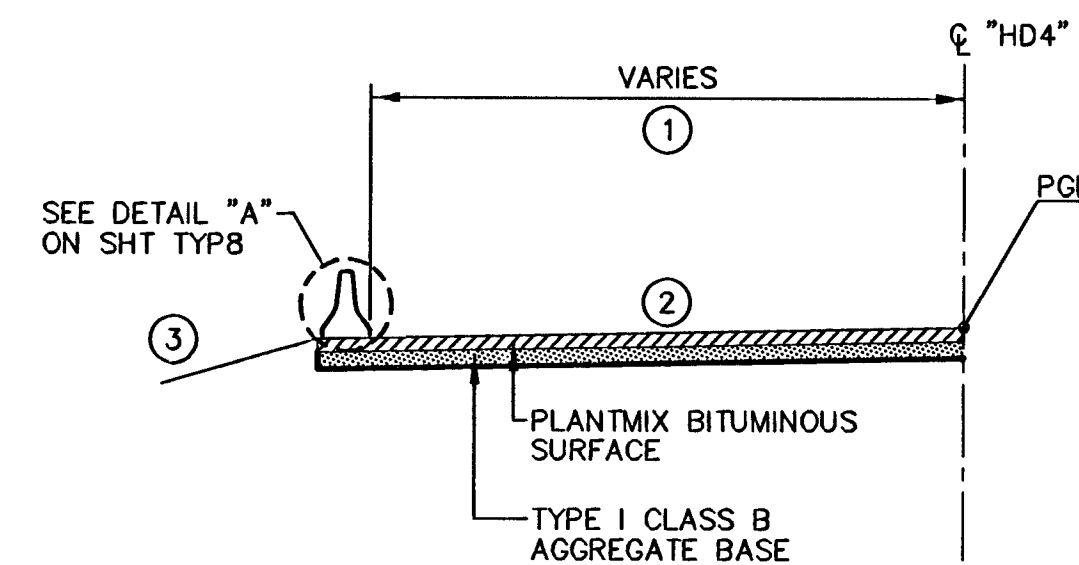


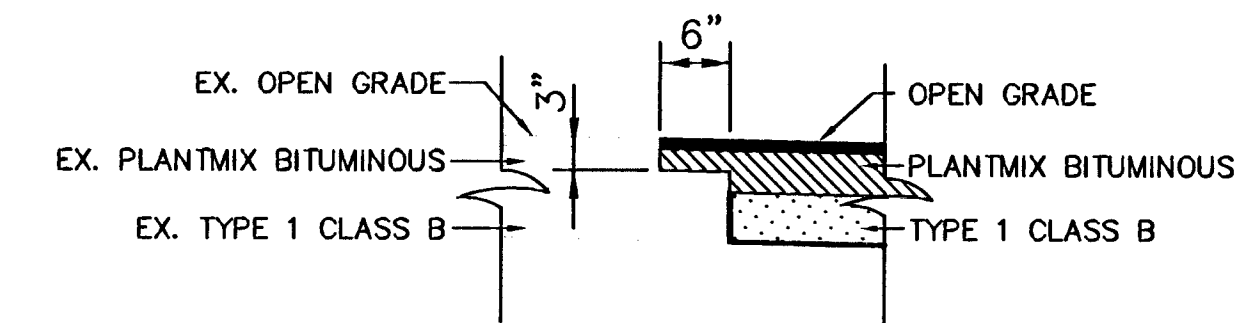
US 95 SOUTH BOUND ON-RAMP "HD4"

"HD4" 119+20.49 TO "HD4" 149+90.07=
 "XS" 318+93.3± TO "XS" 349+62.9±

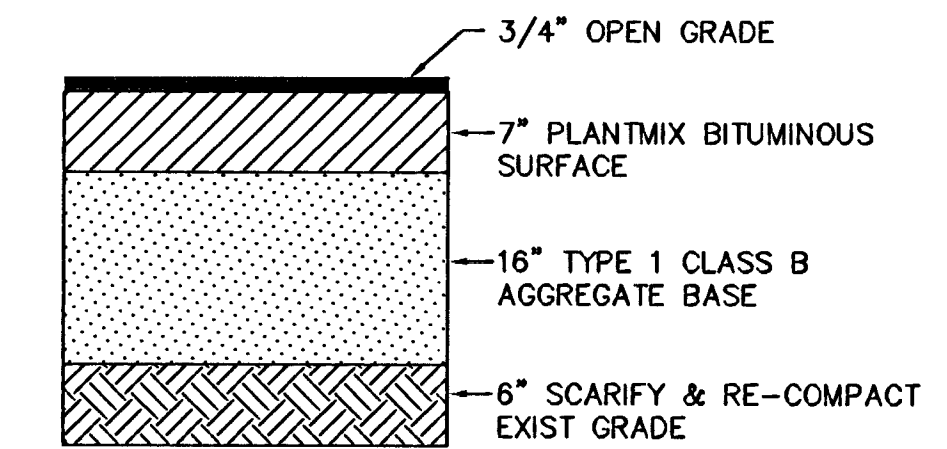


US 95 SOUTH BOUND ON-RAMP "HD4"

"HD4" 152+00 TO "HD4" 156+00
 "HD4" 161+38.99 TO "HD4" 162+45.57

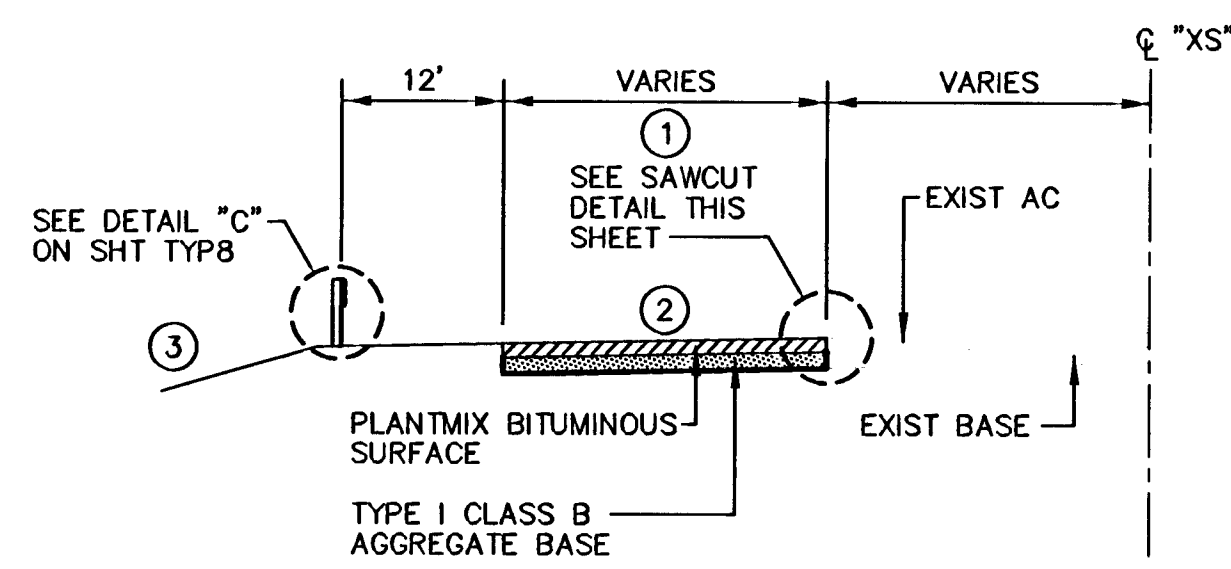


SAWCUT AT US95 MAINLINE



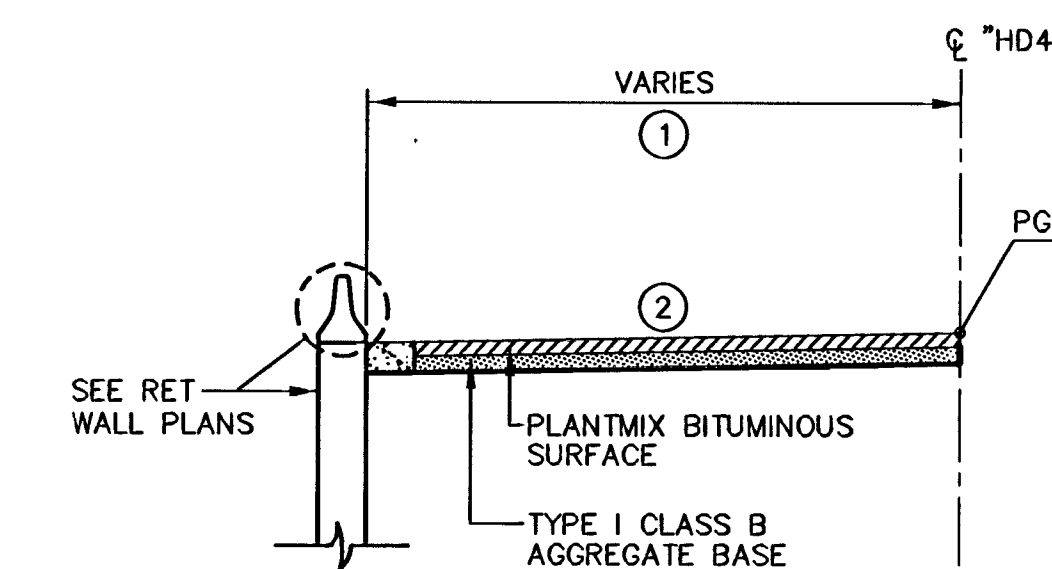
US 95 SOUTH BOUND ON-RAMP "HD4" & "HD4A"

TYPICAL PAVEMENT SECTION



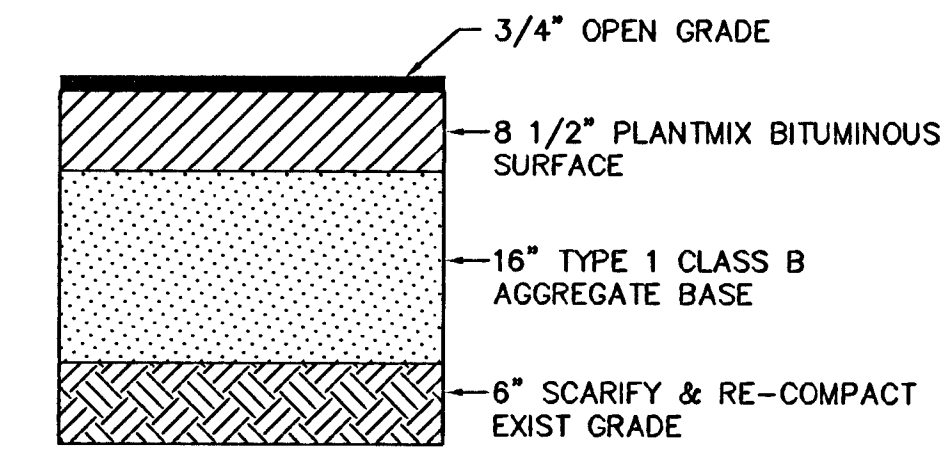
US 95 SOUTH BOUND ON-RAMP "HD4"

"HD4" 129+92.08 TO "HD4" 133+35.88



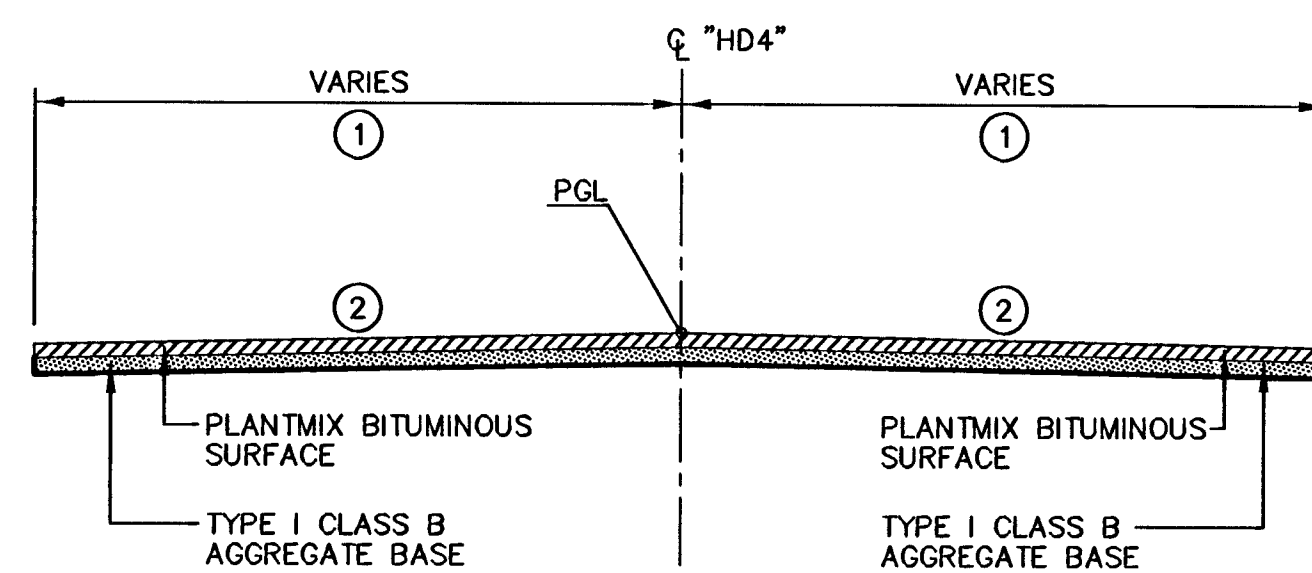
US 95 SOUTH BOUND ON-RAMP "HD4"

"HD4" 156+00 TO "HD4" 161+38.99



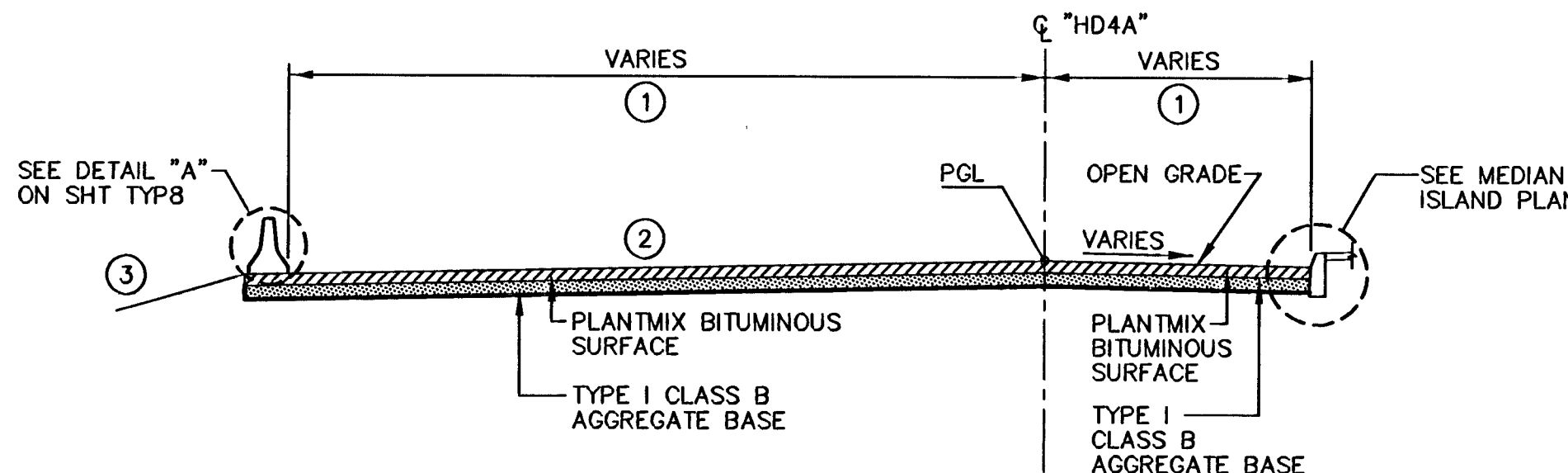
US 95 MAINLINE SOUTH BOUND

TYPICAL PAVEMENT SECTION



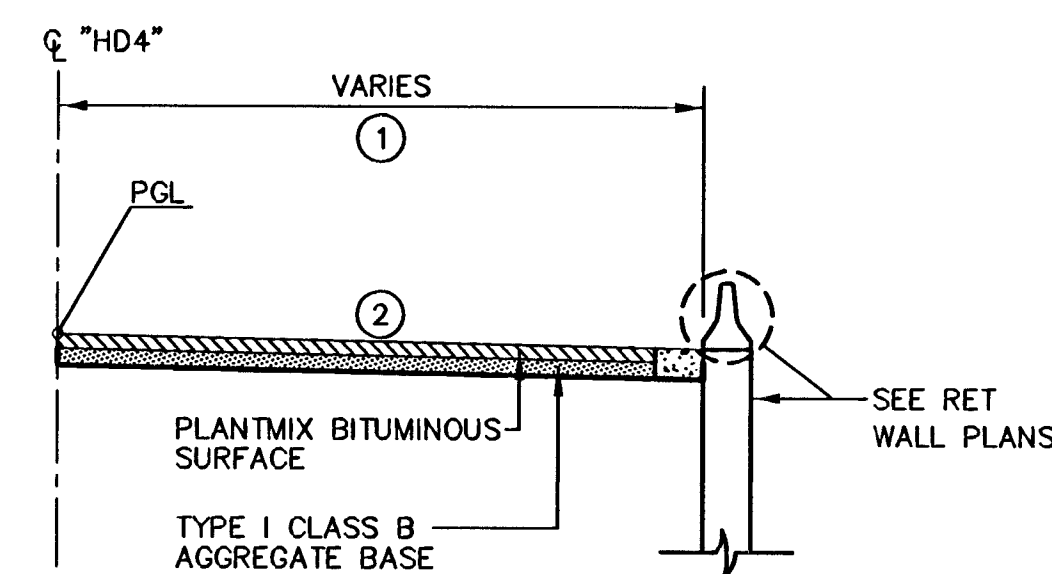
US 95 SOUTH BOUND ON-RAMP "HD4"

"HD4" 149+90.07 TO "HD4" 162+45.57



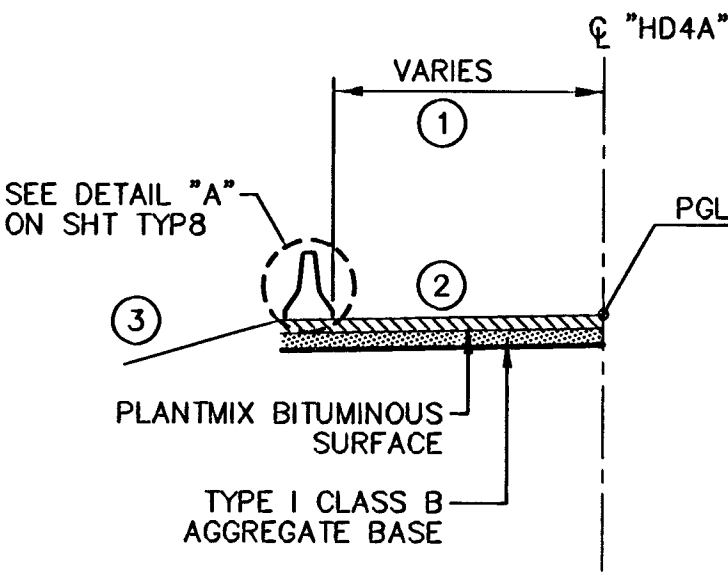
US 95 SOUTH BOUND ON-RAMP "HD4A"

"HD4A" 162+53.66 TO "HD4A" 163+48.20



US 95 SOUTH BOUND ON-RAMP "HD4"

"HD4" 151+51.42 TO "HD4" 162+45.57



US 95 SOUTH BOUND ON-RAMP "HD4A"

"HD4A" 161+38.99 TO "HD4A" 162+53.66

CONSTRUCTION NOTES:

- PAVEMENT WIDTH VARIES (SEE ROADWAY PLANS FOR PAVEMENT WIDTHS)
- CROSS SLOPE VARIES (SEE PROFILE SHT P7 & P7A FOR THE SUPERELEVATION DIAGRAMS)
- SLOPE VARIES (SEE DRAINAGE AND GRADING PLANS)

NOTE:

- FOR BARRIER RAIL LOCATIONS SEE ROADWAY PLANS
- FOR FENCE LOCATIONS SEE FENCE PLANS

AVOID OVERHEAD POWER LINE CONTACT IT'S COSTLY

Call before you Overhead

1-702-227-2929

NEVADA POWER ENVIRONMENT AND SAFETY SERVICES DEPARTMENT

Call before you Dig

Avoid cutting underground utility lines. It's costly.

Call 811

OR 1-800-227-2600

CLARK COUNTY UTILITY OPERATIONS 1-702-455-7544

PUBLIC WORKS DEPARTMENT
 400 E. STEWART AVE. SUITE 101
 LAS VEGAS, NV 89101
 702-228-8272

TYPICAL CROSS SECTIONS
 US 95 SOUTH BOUND ON-RAMP
 "HD4" & "HD4A"

HORSE DRIVE / US 95
 INTERCHANGE

DESIGNED BY: 06/20/2008
 CHECKED BY: 06/20/2008
 PROJECT NO: 6500
 SCALE: NTS
 HORIZ: N/A
 VERT: N/A

SHEET
 TYP7
 23 OF 433 SHEETS
 DRAWING NO.
 107V3769

114195