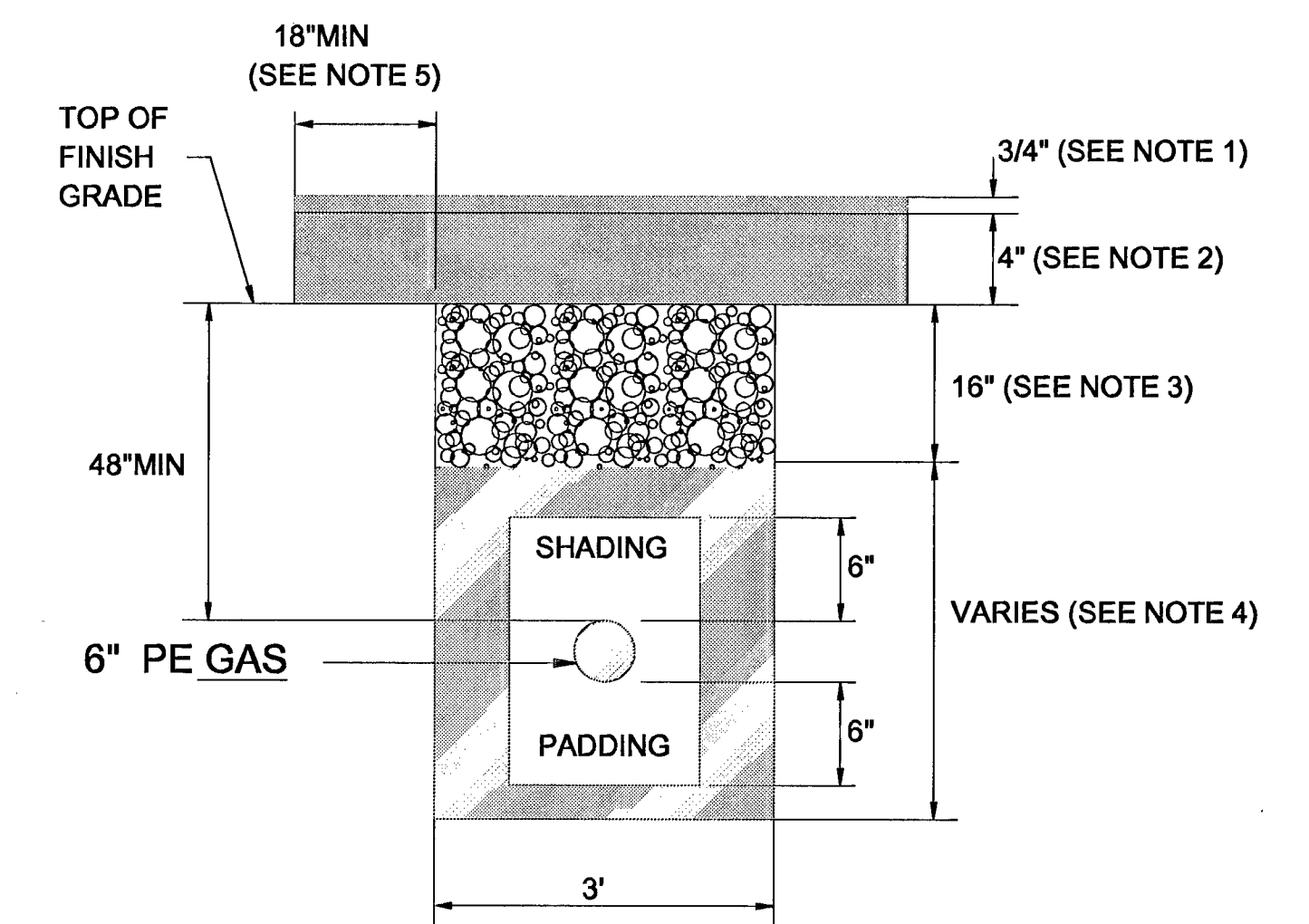


NDOT TRENCH DETAIL

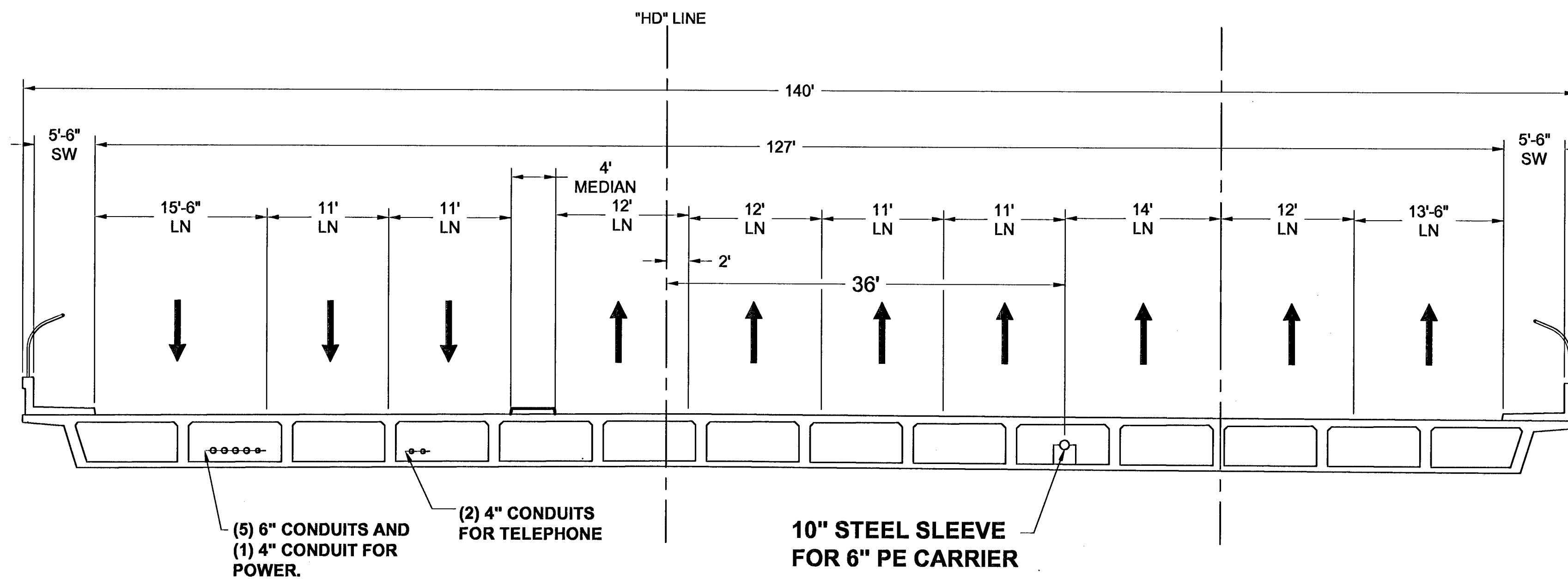
NTS

METHOD OF PATCHING ROADWAY
WHERE TRENCHING IS NECESSARY FOR
UTILITY OR OTHER INSTALLATIONS

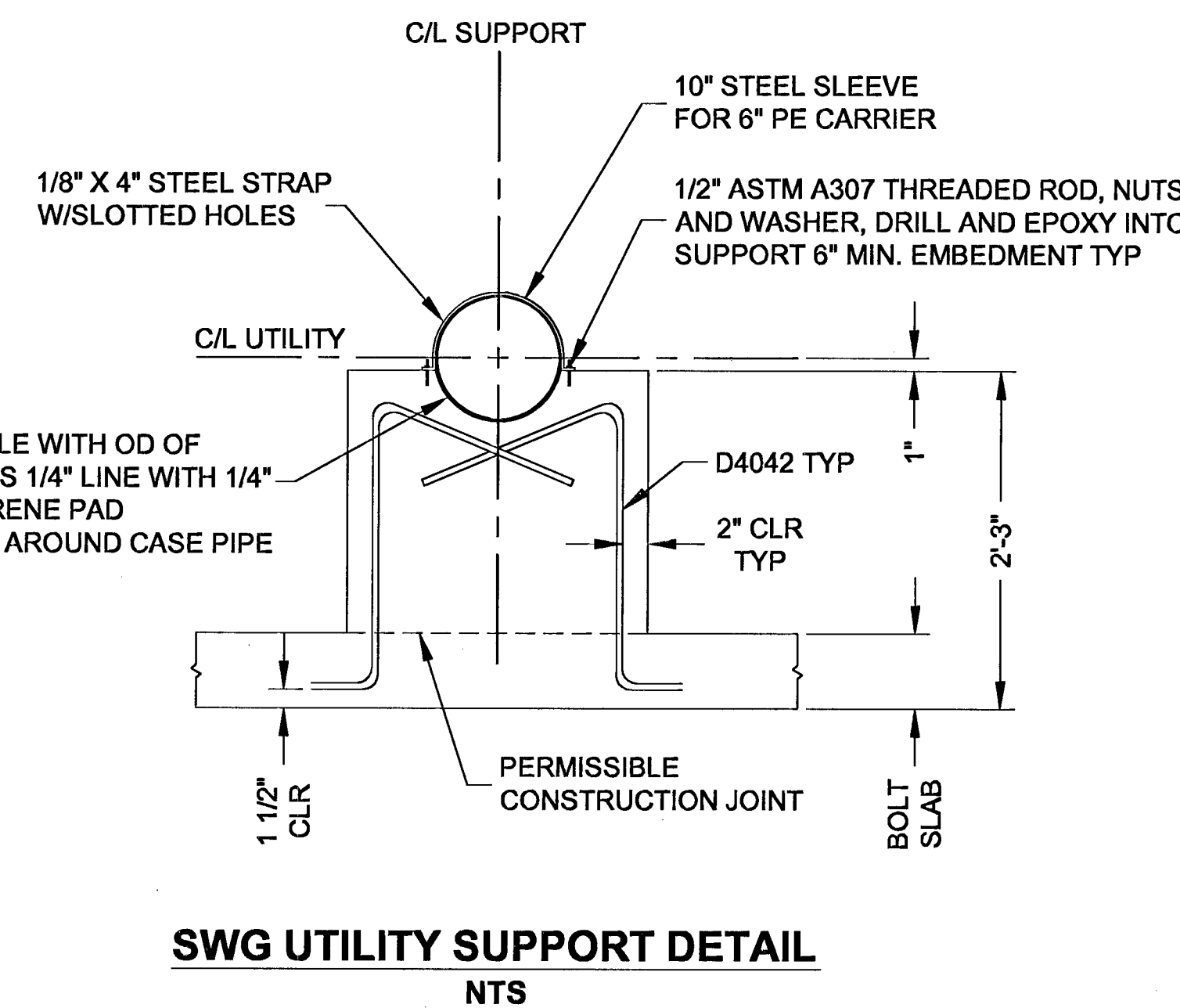


NOTE:

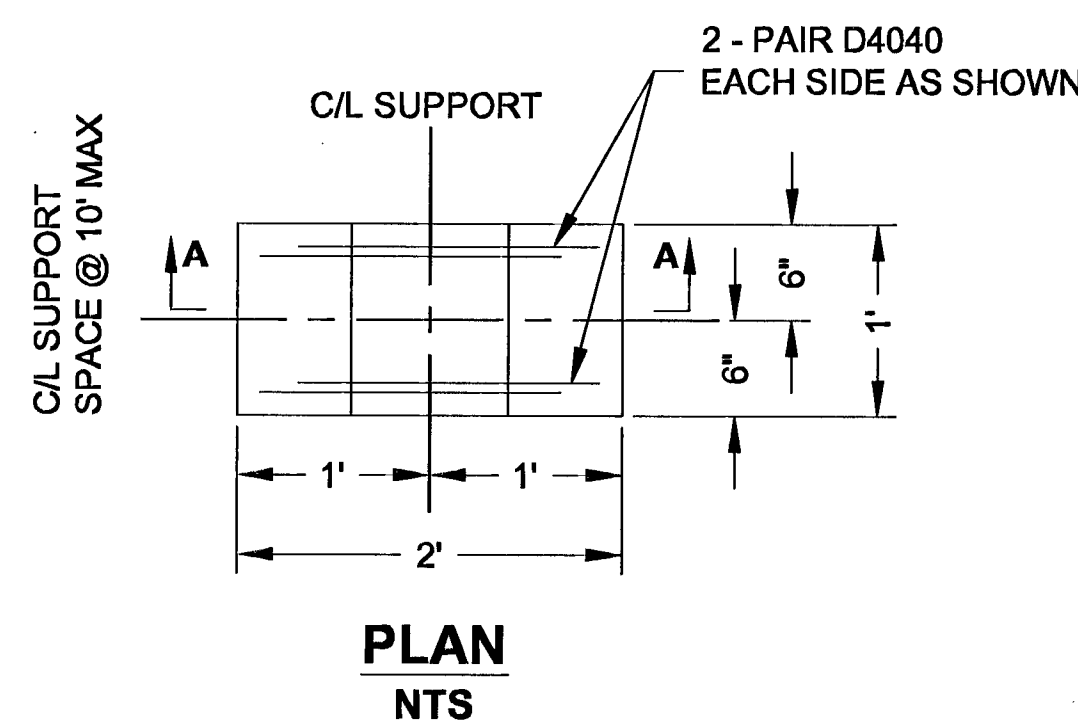
1. 3/4 INCH OPEN GRADE
2. 4 INCH MINIMUM DENSE GRADE OR MATCH EXISTING, WHICHEVER IS GREATER.
3. BASE AGGREGATE (AS PER NDOT SPECIFICATIONS; SECTION 704). A MINIMUM OF 16 INCHES TO BE LAID IN MAXIMUM 8 INCH LOOSE LIFTS. 95% COMPACTION REQUIRED.
4. BACKFILL WITH SELECT MATERIAL TO BOTTOM OF BASE AGGREGATE (AS PER NDOT SPECIFICATIONS; SECTION 207). 90% COMPACTION REQUIRED.
5. LIMITS OF PAVING TO BE DETERMINED BY THE NDOT INSPECTOR.
6. ALL SWG WORK IN NEW STREET - PAVING BY CLV CONTRACTOR AFTER SWG INSTALLATION.



**TYPICAL SECTION
OSO BLANCA RD BRIDGE
VIEW TO EAST
NTS**



**SWG UTILITY SUPPORT DETAIL
NTS**



**PLAN
NTS**

CALL BEFORE YOU DIG
Avoid cutting underground utility lines. It's costly.

CALL 811

OR
1-800-227-2600
AND
CLARK COUNTY TRAFFIC OPERATIONS
1-702-455-7544

AREA 1 LV 2

<table border="1"> <tr> <th>NO.</th> <th>DESCRIPTION</th> <th>BY</th> <th>DATE</th> <th>APPVD.</th> </tr> <tr> <td colspan="5">REVISIONS</td> </tr> </table>				NO.	DESCRIPTION	BY	DATE	APPVD.	REVISIONS					<p>SEE SHEET 1</p>				<p>AS-BUILT DRAWING-PRESSURE TEST DATA</p> <p>PIPE DIA. _____ TEST MEDIUM <input type="checkbox"/> AIR <input type="checkbox"/> GAUGE _____</p> <p>PIPE LENGTH _____ <input type="checkbox"/> NITROGEN <input type="checkbox"/> CHART _____</p> <p>PIPE TYPE _____ <input type="checkbox"/> WATER <input type="checkbox"/> GAUGE/PRESS REC SW</p> <p>MIN. DURATION _____ <input type="checkbox"/> SOAP _____</p> <p>TEST PRES. (PSIG) _____ START _____ END _____</p> <p>TIME _____</p> <p>DATE _____</p> <p>PERFORMED BY _____</p>				<p>VISUAL INSPECTION CERTIFICATION</p> <p>I HAVE VISUALLY INSPECTED ALL HEATED FUSIONS, SOLVENT CEMENT, MECHANICAL JOINTS, AND WELDS THAT I HAVE PERFORMED</p> <p>NAME _____ DATE _____</p> <p>AS-BUILTS ACCEPTED BY _____ DATE _____</p> <p>POSTED BY _____ DATE _____</p> <p>POSTING QCD BY _____ DATE _____</p>				<p>CONSTRUCTION</p> <p>INSPECTOR _____</p> <p>FOREMAN _____</p> <p>REVIEWED BY _____</p> <p>PERMIT INFORMATION</p> <p>CITY OF LAS VEGAS NDOT</p> <p>TAX CODE 02-0200</p>				<p>ISOLATION AREA</p> <p>31 117</p> <p>LOCATION</p> <p>T 19S R 60E SEC 7</p>		<p>W. R. NO.</p> <p>1016792</p> <p>ATLAS #/TILE #</p> <p>x582y568</p>		<p>ENGINEER/TECHNICIAN: BOB MIDDAG PHONE: (702) 365-2071</p> <p>ACCOUNT REP. _____ PHONE: _____</p> <p>PROJECT CONTACT: _____ PHONE: _____</p> <p>SHEET NO. 3 OF 3 SCALE: 1"=50' DATE: 06/17/09</p> <p>DWN. BY: SEI CHKD. BY: _____ APPVD. BY: _____</p> <p>TITLE</p> <p>F-CLV-HORSE DR / U.S. 95 INTERCHANGE PHASE 1B HORSE DR W/O OSO BLANCA RD</p> <p>107V 3759-GAS</p>			
NO.	DESCRIPTION	BY	DATE	APPVD.																																	
REVISIONS																																					

