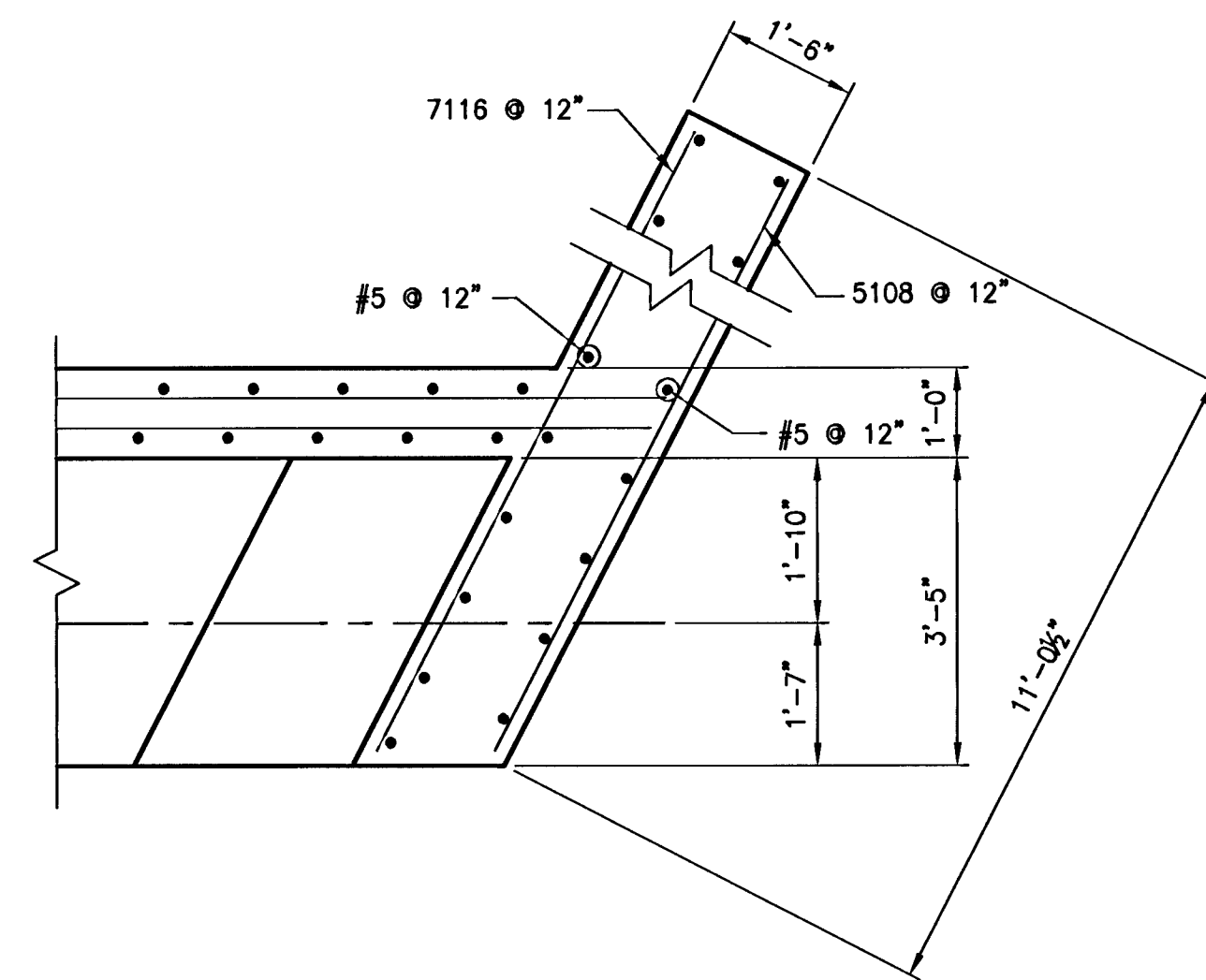
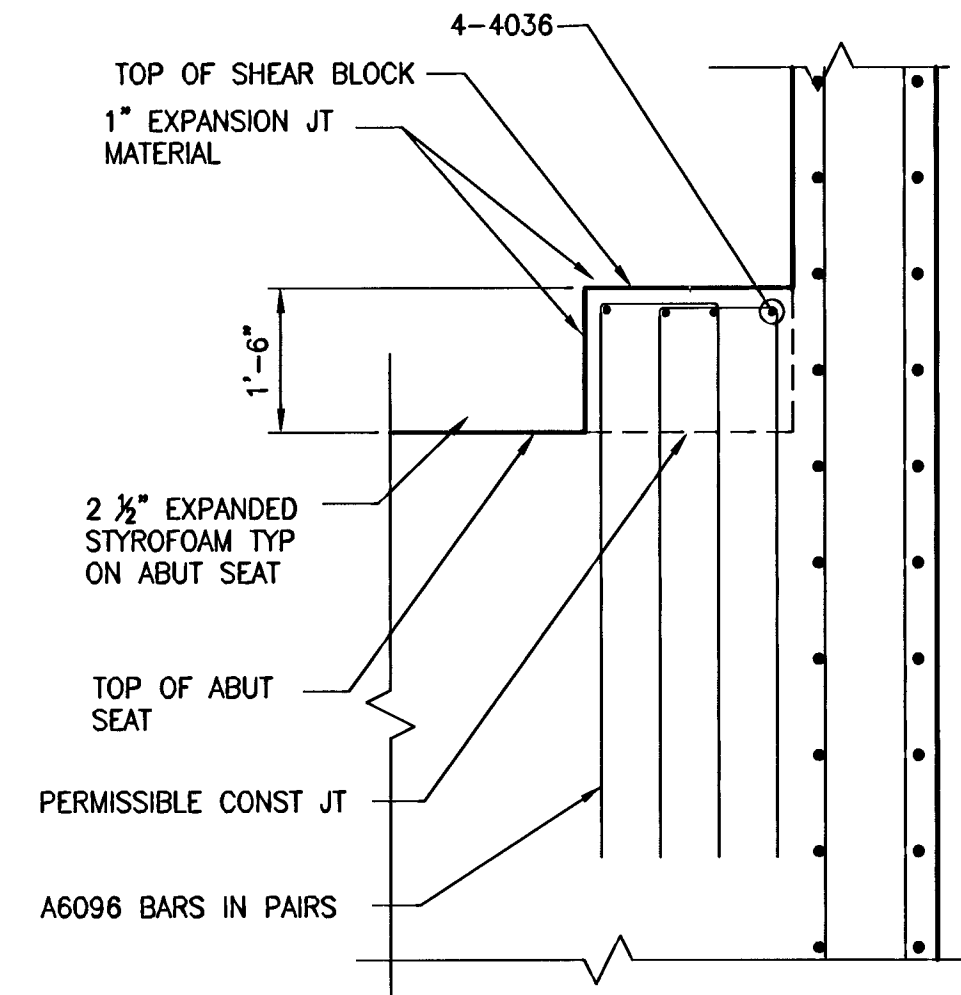


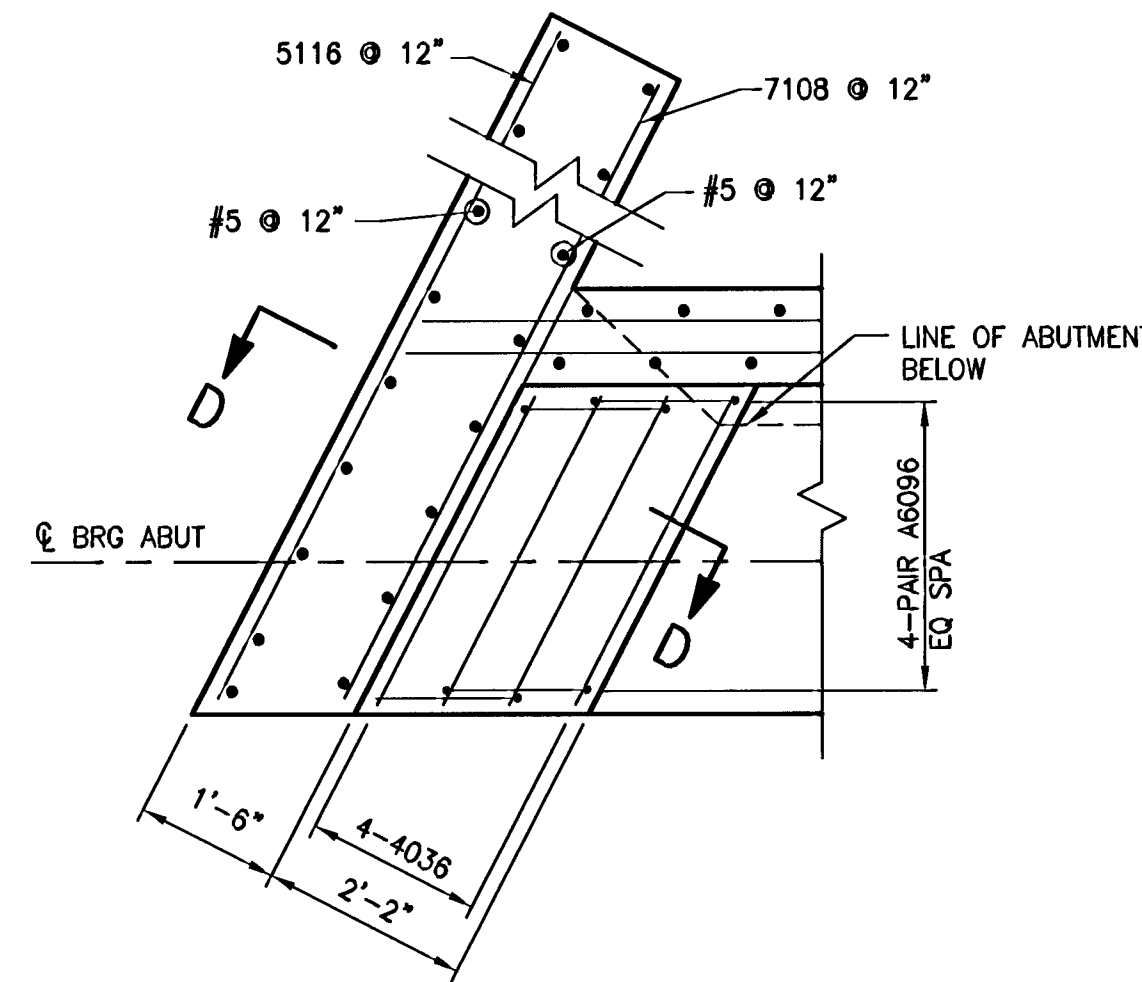
SECTION A-A



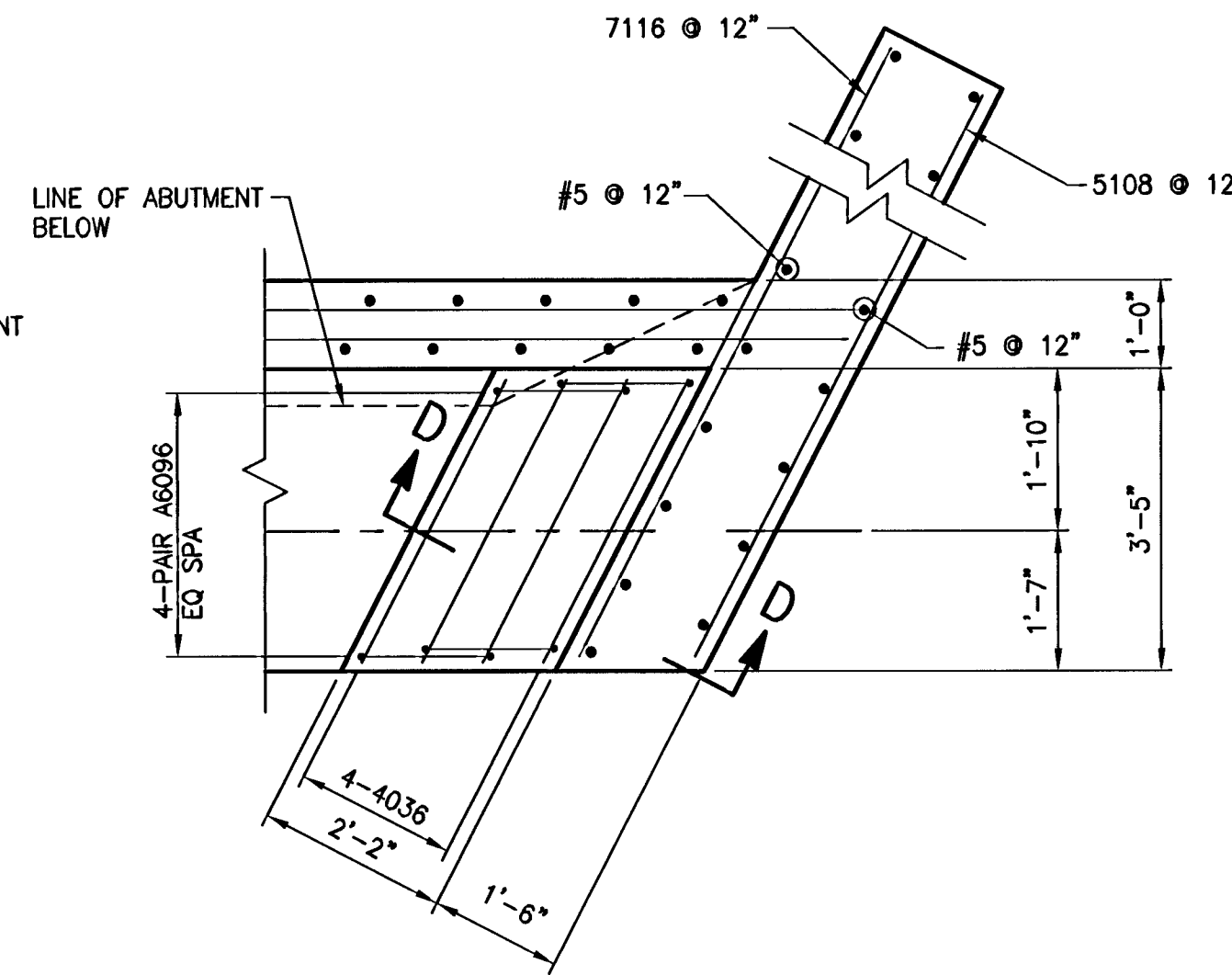
SECTION A'-A'



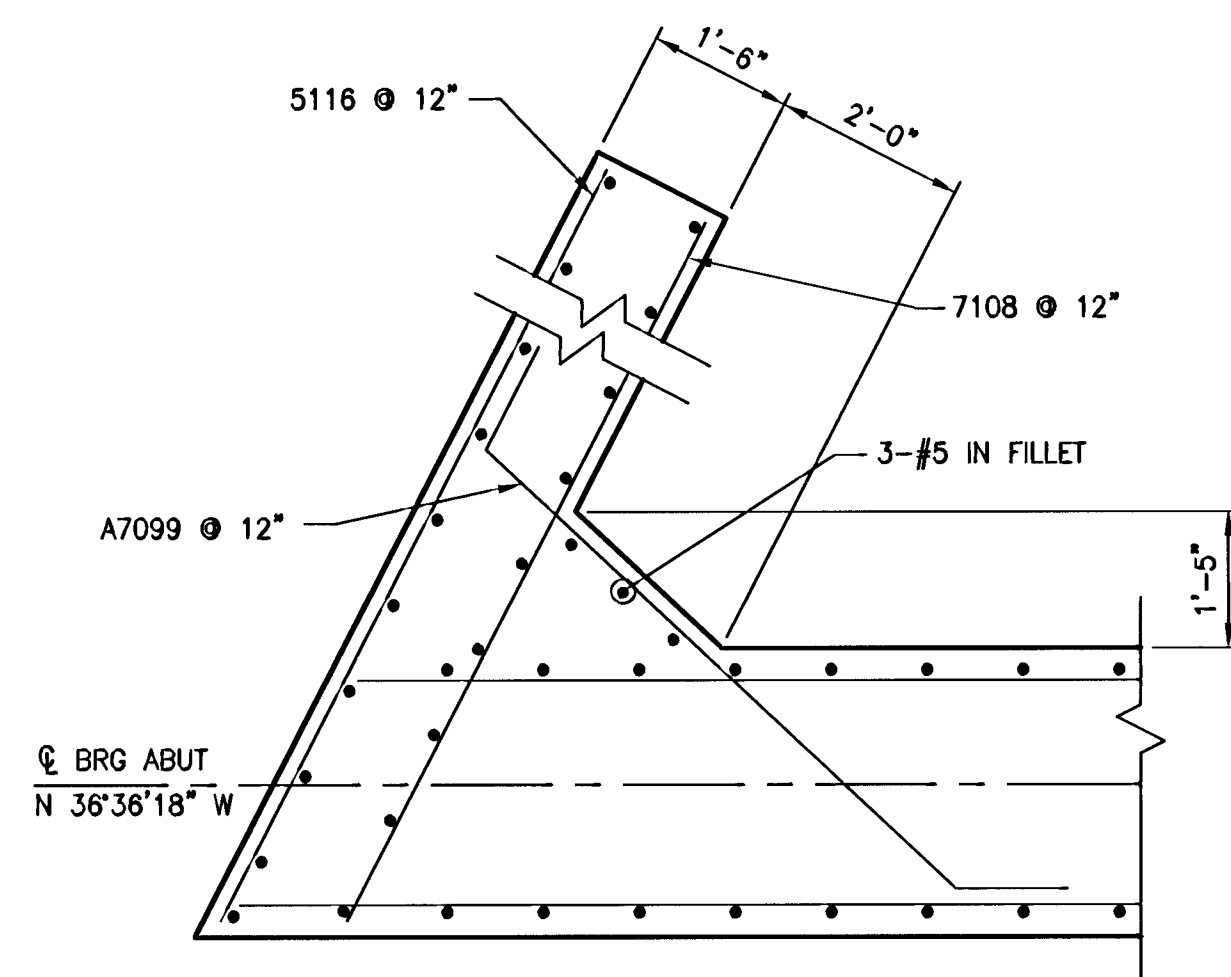
SECTION D-D



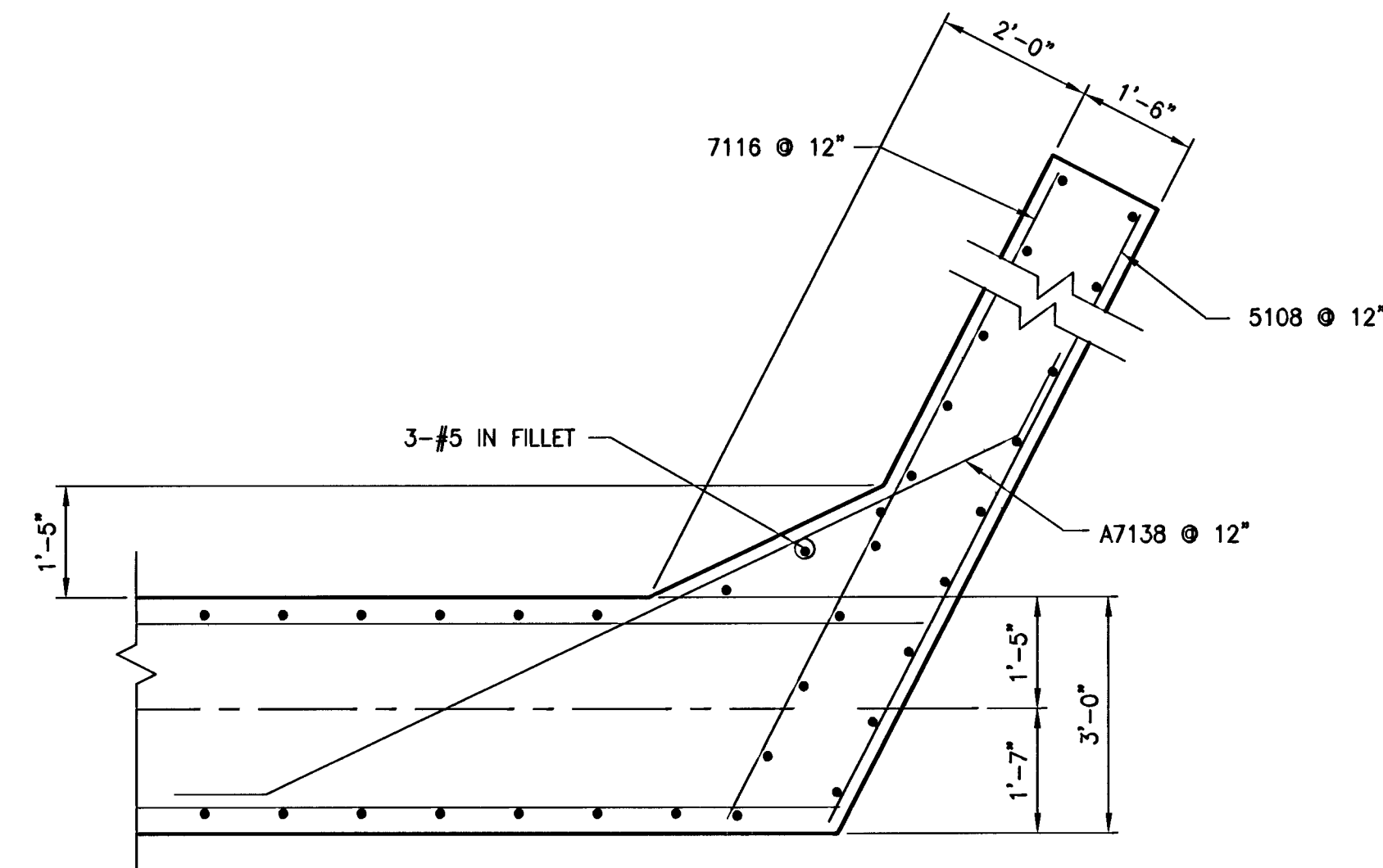
SECTION B-B



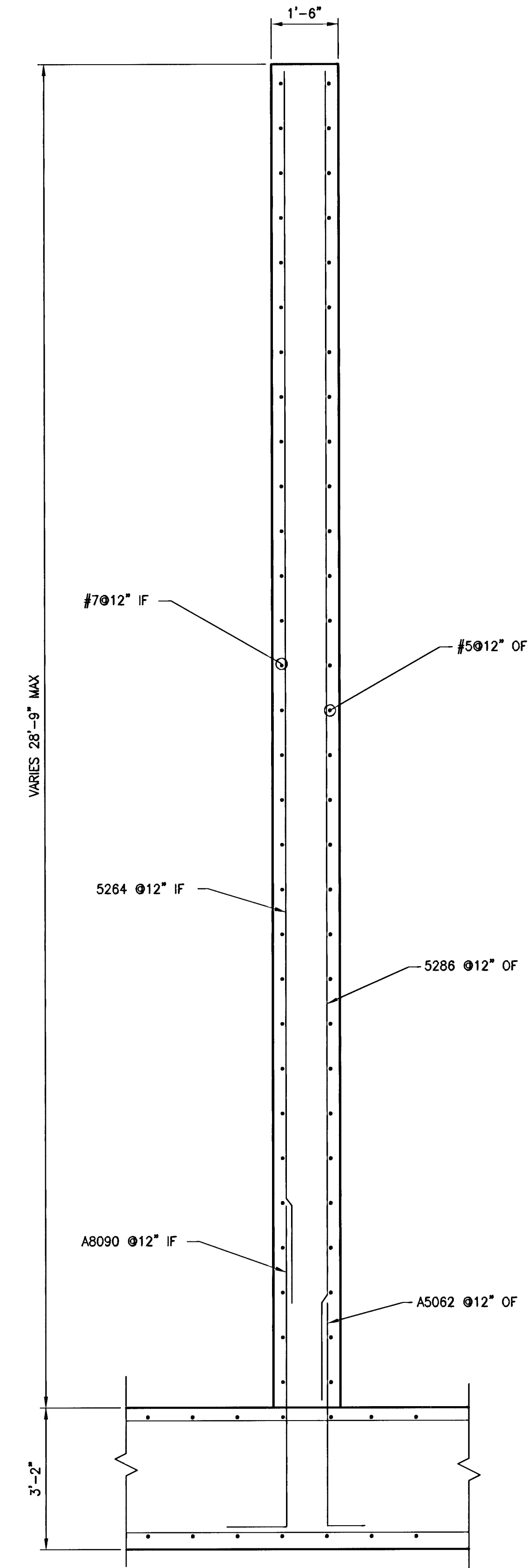
SECTION B'-B'



SECTION C-C

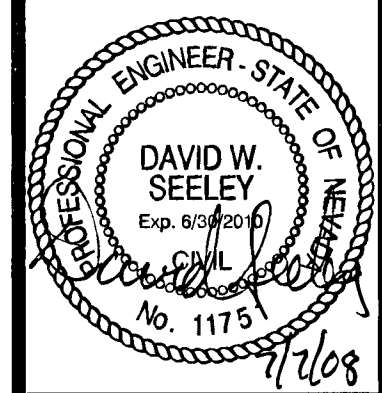


SECTION C'-C'



SECTION E-E

| | |
|---------------------------|---|
| DESIGNED BY: D. SEELEY | 6/30/2008 |
| DRAWN BY: D. ELY | 6/30/2008 |
| CHECKED BY: D. SEELEY | 6/30/2008 |
| PROJECT NO: | SCALE: 1/2"=1'-0" HORIZ 1/2"=1'-0" VERT. |



SHEET
388 **B113**
OF 453 SHEETS
DRAWING NO.
107V3759

PUBLIC WORKS DEPARTMENT
CITY OF LAS VEGAS, NV
400 E STEWART AVE
LAS VEGAS, NV 89101
702-229-8272

R&H ENGINEERING, INC.
CONSULTING STRUCTURAL ENGINEERS
940 GRIER DRIVE, SUITE 200 • LAS VEGAS, NEVADA • 89119
PHONE: 702-280-7000 • FAX: 702-280-7070

**HORSE DRIVE OVER FRONTAGE RD
WINGWALL SECTIONS**

**HORSE DRIVE / US 95
INTERCHANGE**

| REV | DATE | BY |
|-----|------|----|
| | | |
| | | |
| | | |