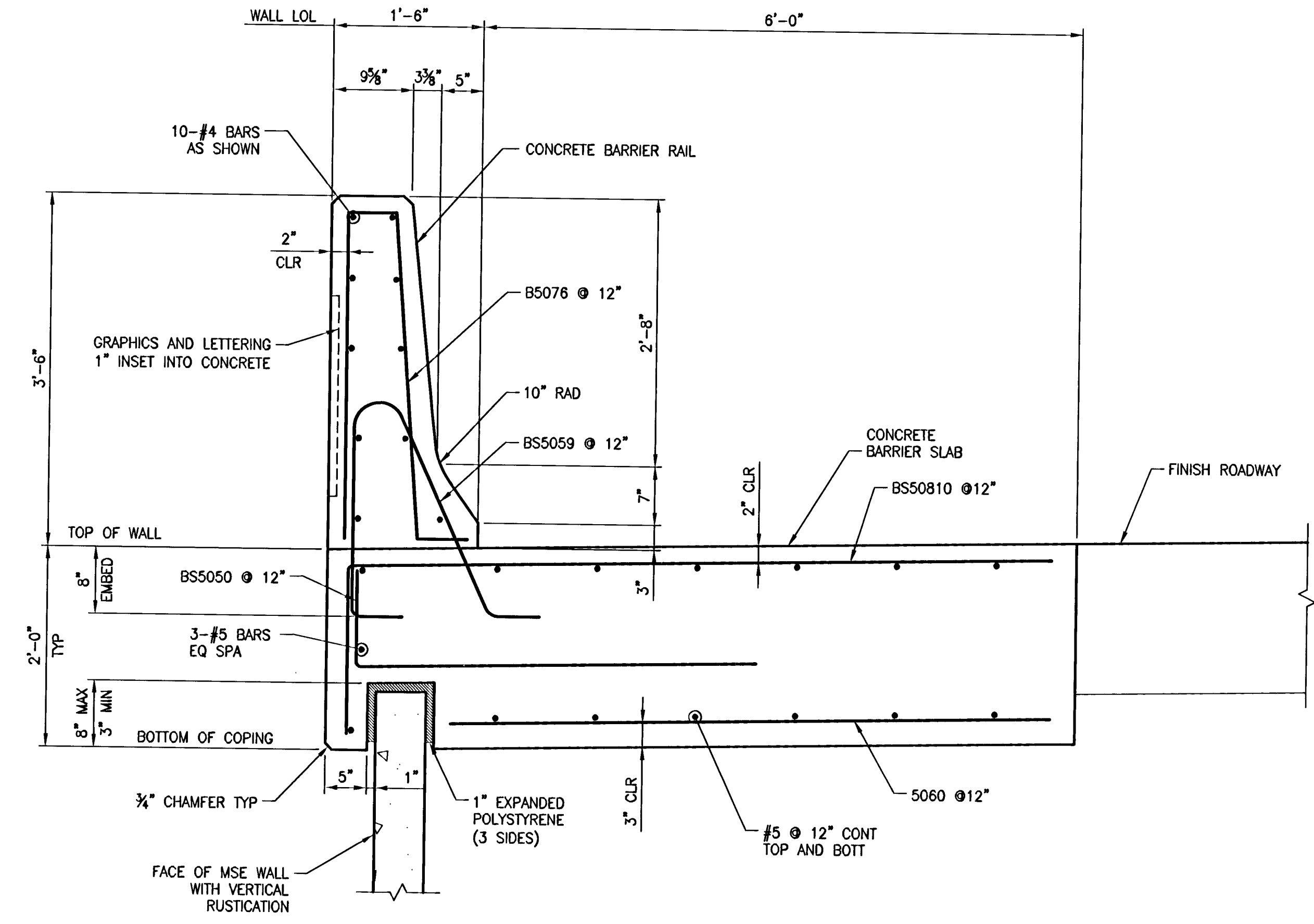


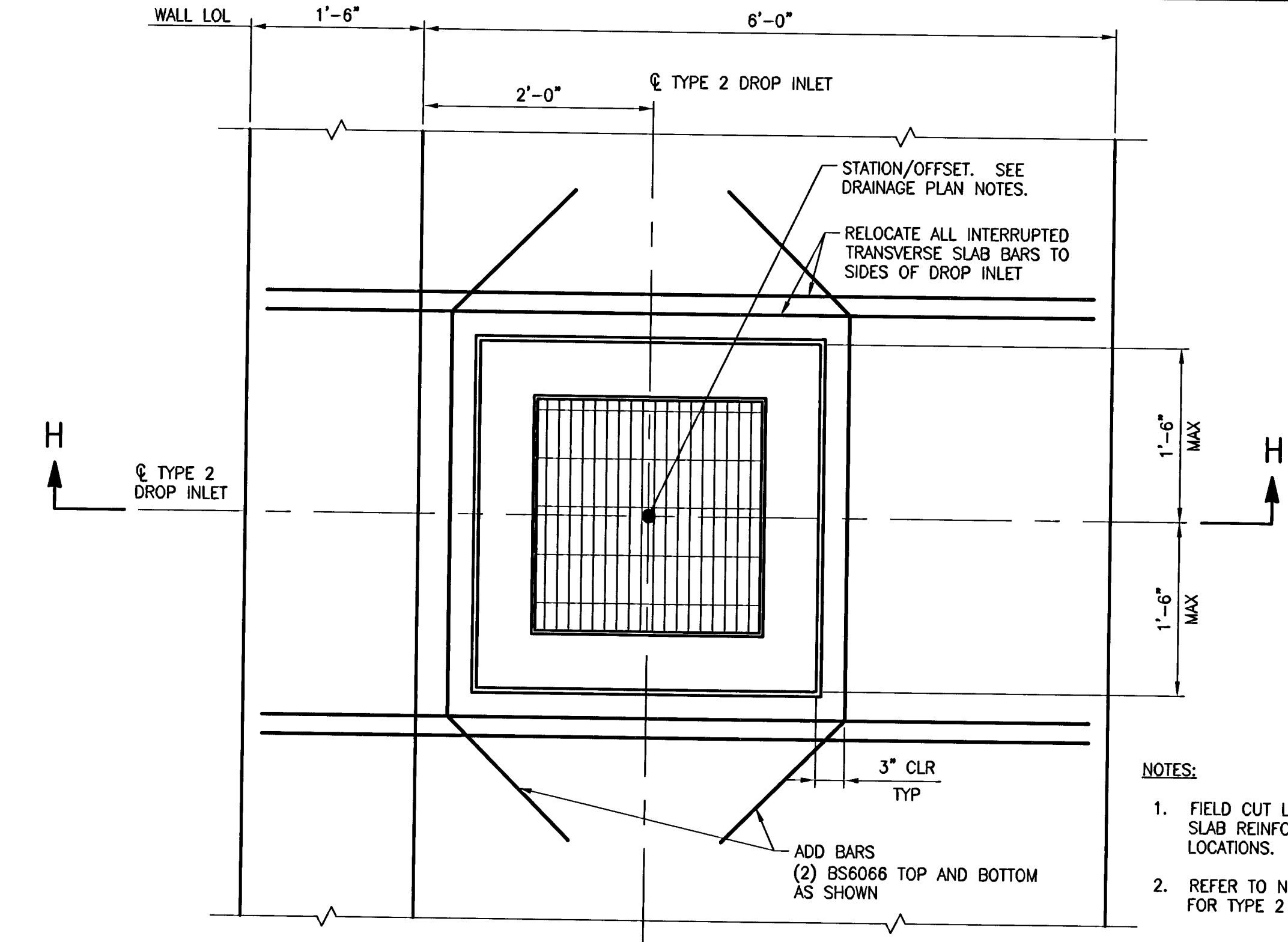
Russ Davis

MIN BAR LAPS

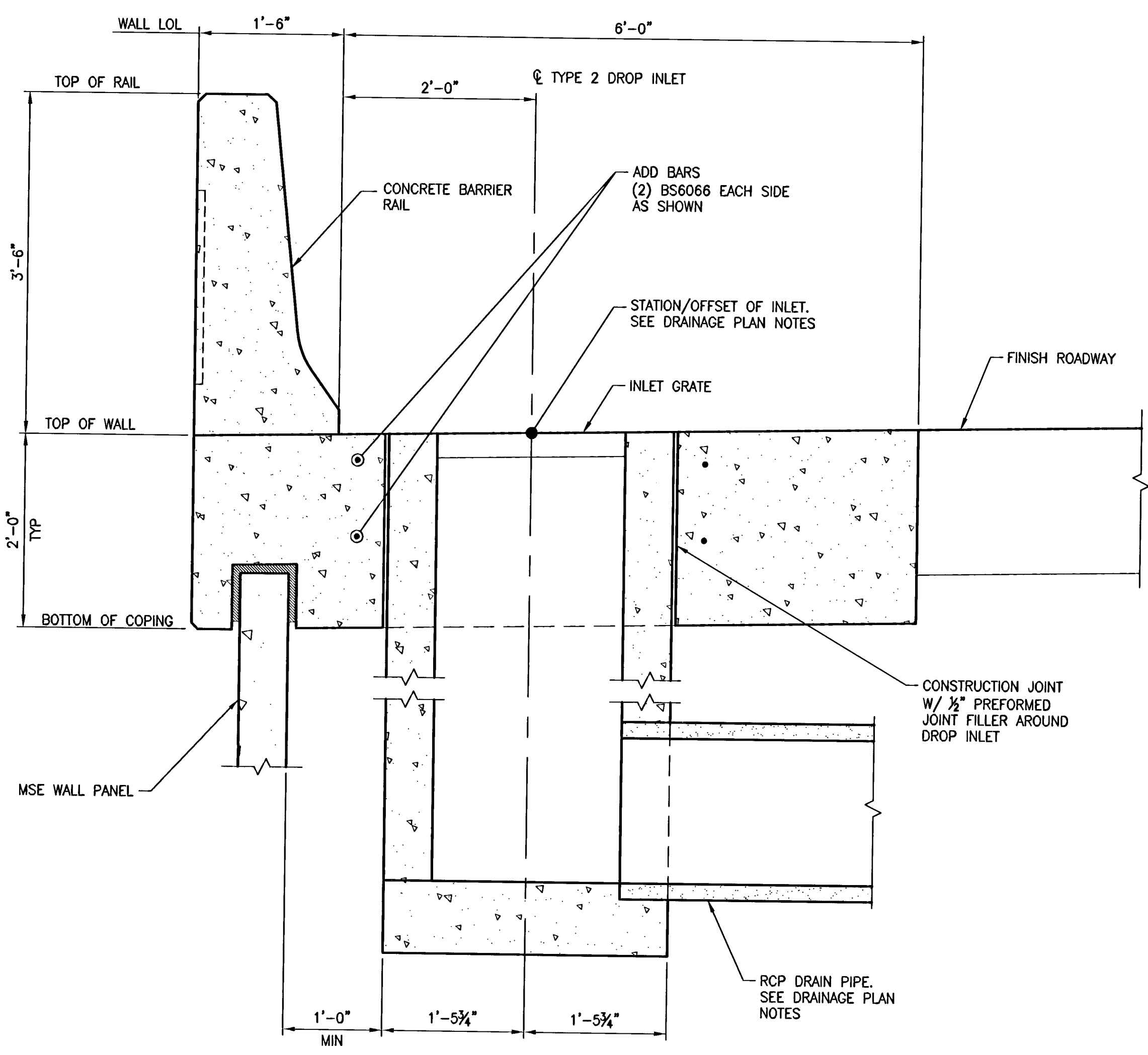
#4 BARS = 1'-8"
#5 BARS = 2'-2"



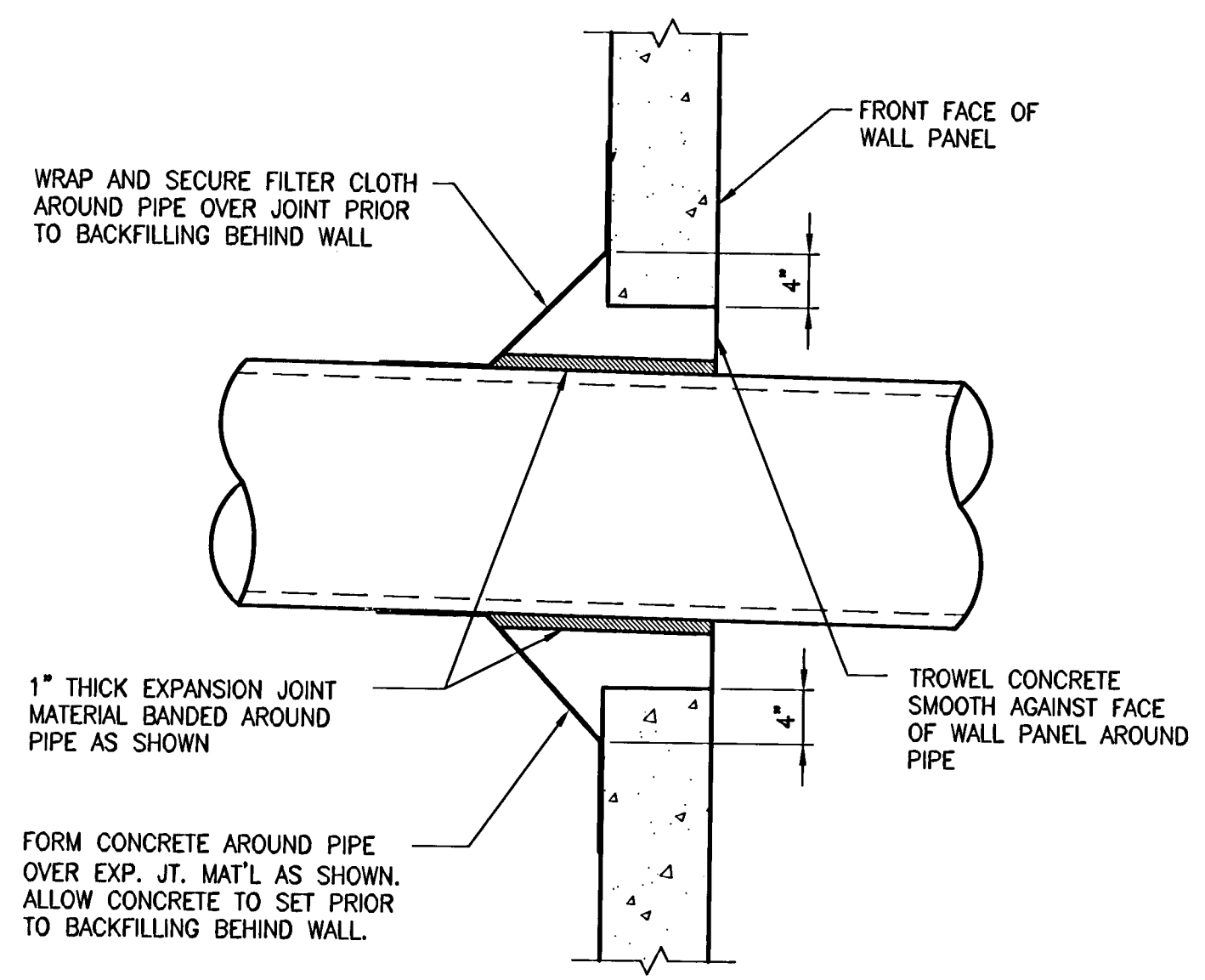
DETAIL 1



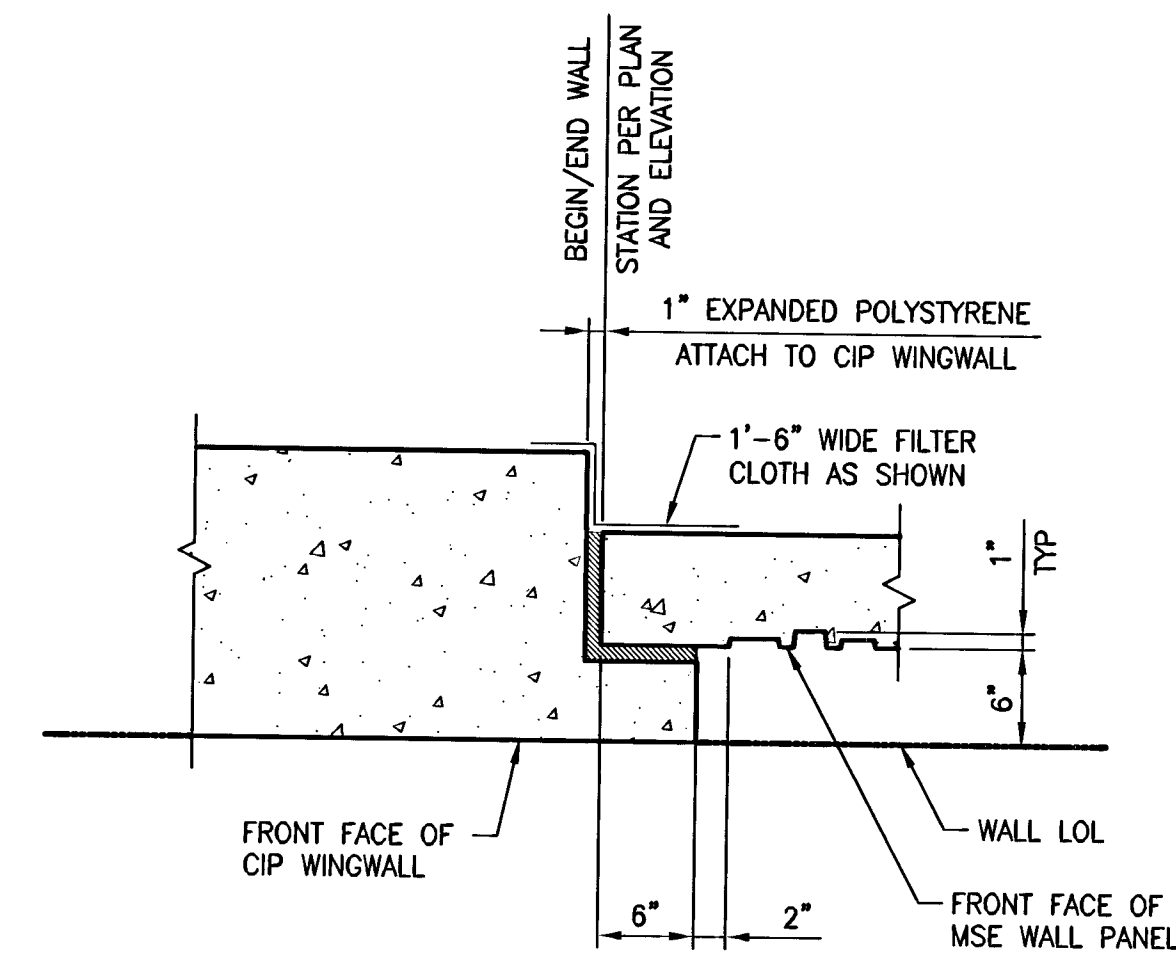
DETAIL 2



SECTION H-H



RCP OPENING DETAIL



SECTION G-G

(MSE PANEL TO CIP WINGWALL)

- NOTES:
- FIELD CUT LONGITUDINAL BARRIER SLAB REINFORCING AT DROP INLET LOCATIONS.
 - REFER TO NDOT STD DWG R-4.2.1 FOR TYPE 2 DROP INLET DETAILS.

PUBLIC WORKS DEPARTMENT		CITY OF LAS VEGAS, NV	
400 E. STEWART AVE LAS VEGAS, NV 89101 702-259-4272		R2H ENGINEERING, INC. CONSULTING STRUCTURAL ENGINEERS 940 GREER DRIVE SUITE 200 • LAS VEGAS, NEVADA • 89119 PHONE (702) 280-7000 • FAX (702) 280-7070	
MSE RETAINING WALL WALL DETAILS		HORSE DRIVE / US 95 INTERCHANGE	
DESIGNED BY: A. DAVIS	6/30/2008	CHECKED BY: A. DAVIS	6/30/2008
DRAWN BY: J. SEELEY	6/30/2008	PROJECT NO.:	04037
SCALE: NONE		SCALE: NONE	
HORIZ. NONE		HORIZ. NONE	
VERT. NONE		VERT. NONE	
SHEET		448 RW32	
OF 153 SHEETS		445	
DRAWING NO. 107V3759			

Wednesday, July 02, 2008 4:58:35 PM

114739

P:\0606274-DWG\RETAINING WALLS\HORSEDR_W32.DWG