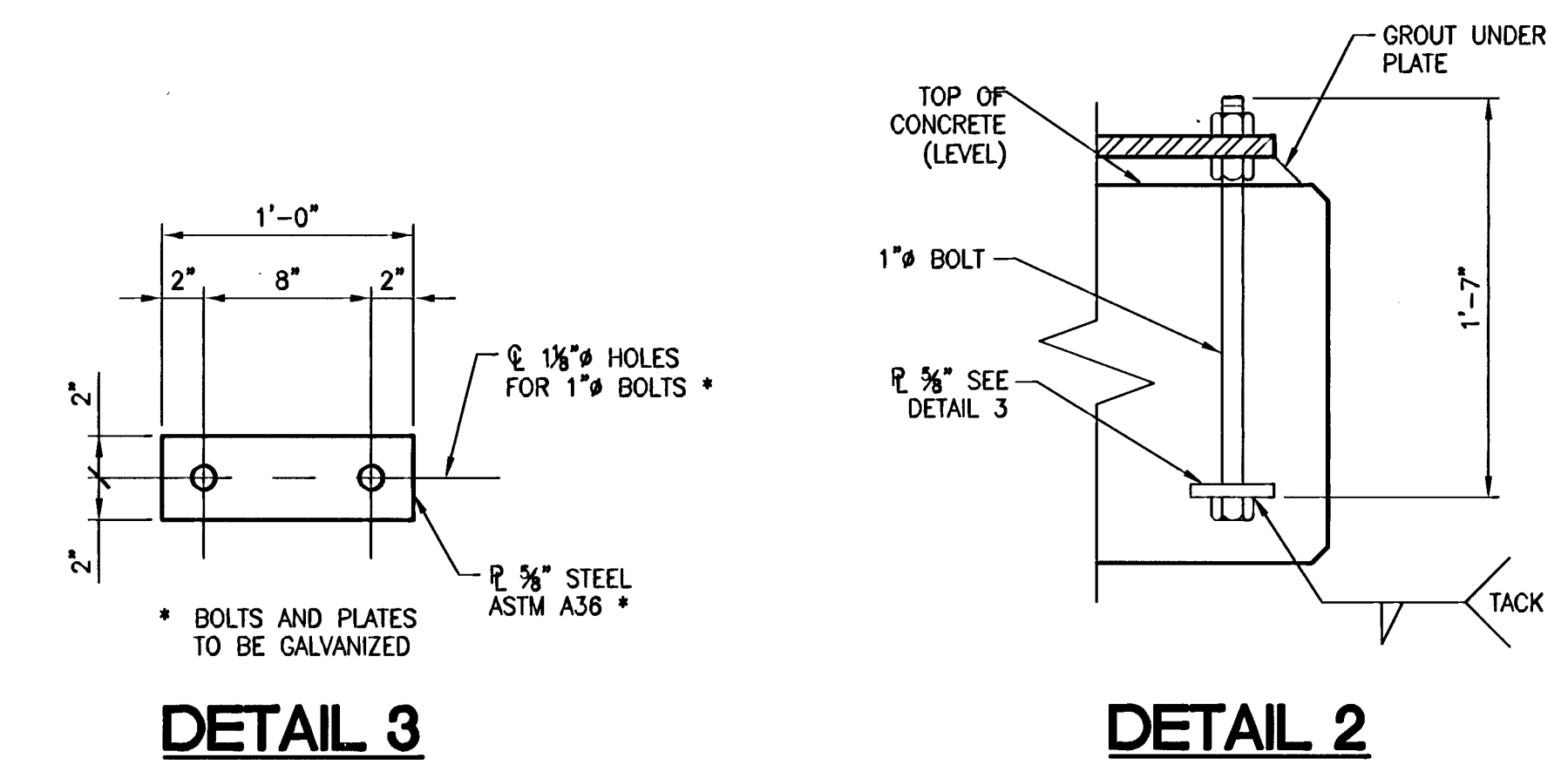
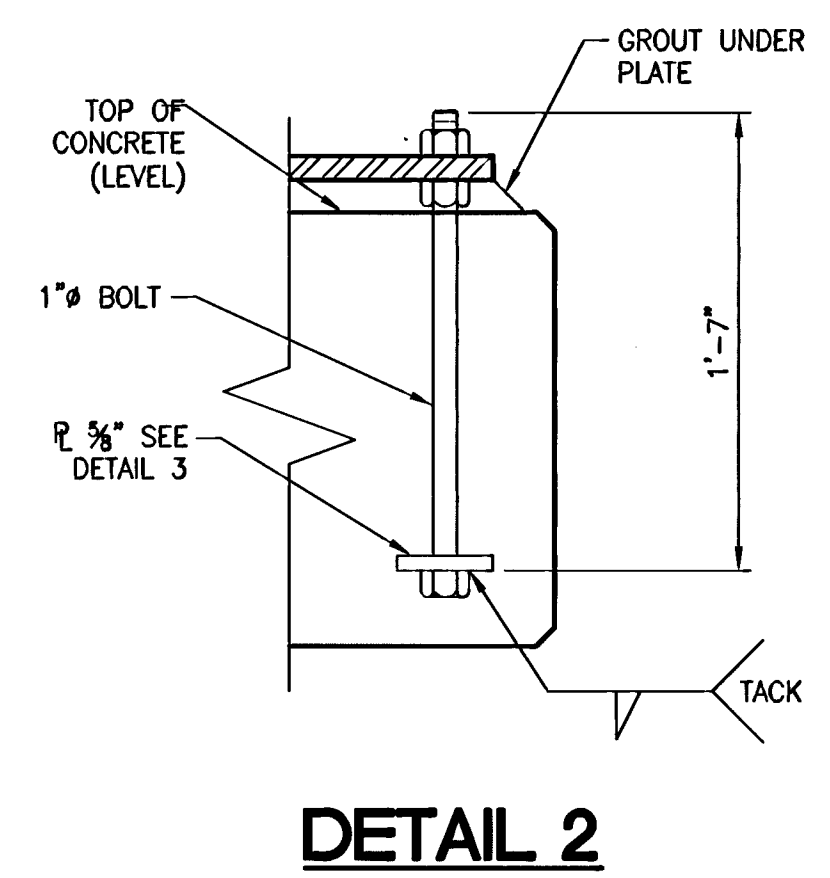


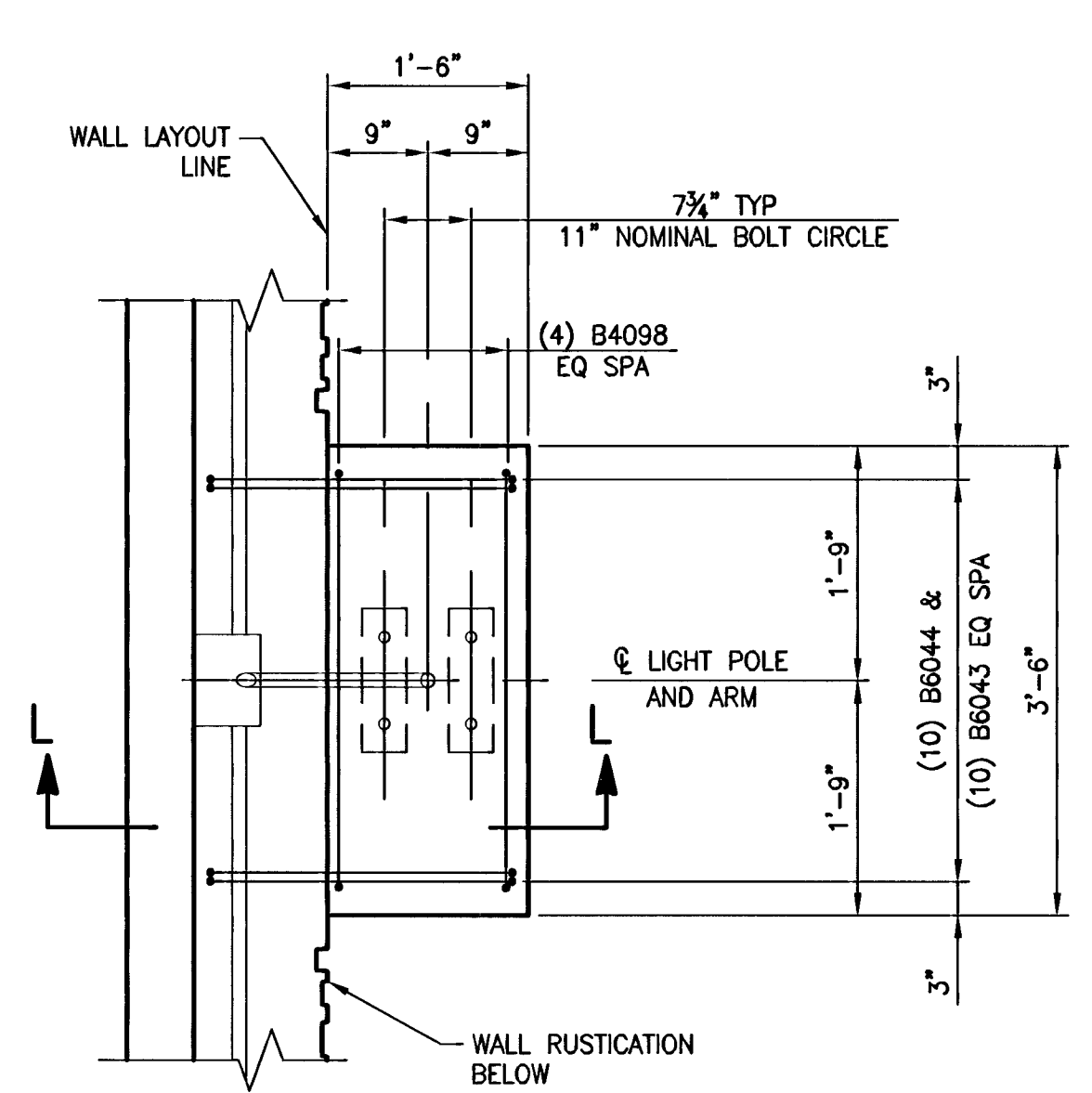
W5041 W5022 WF7089 WF7077 WF5043 B5076 B6044 B6043 B4098



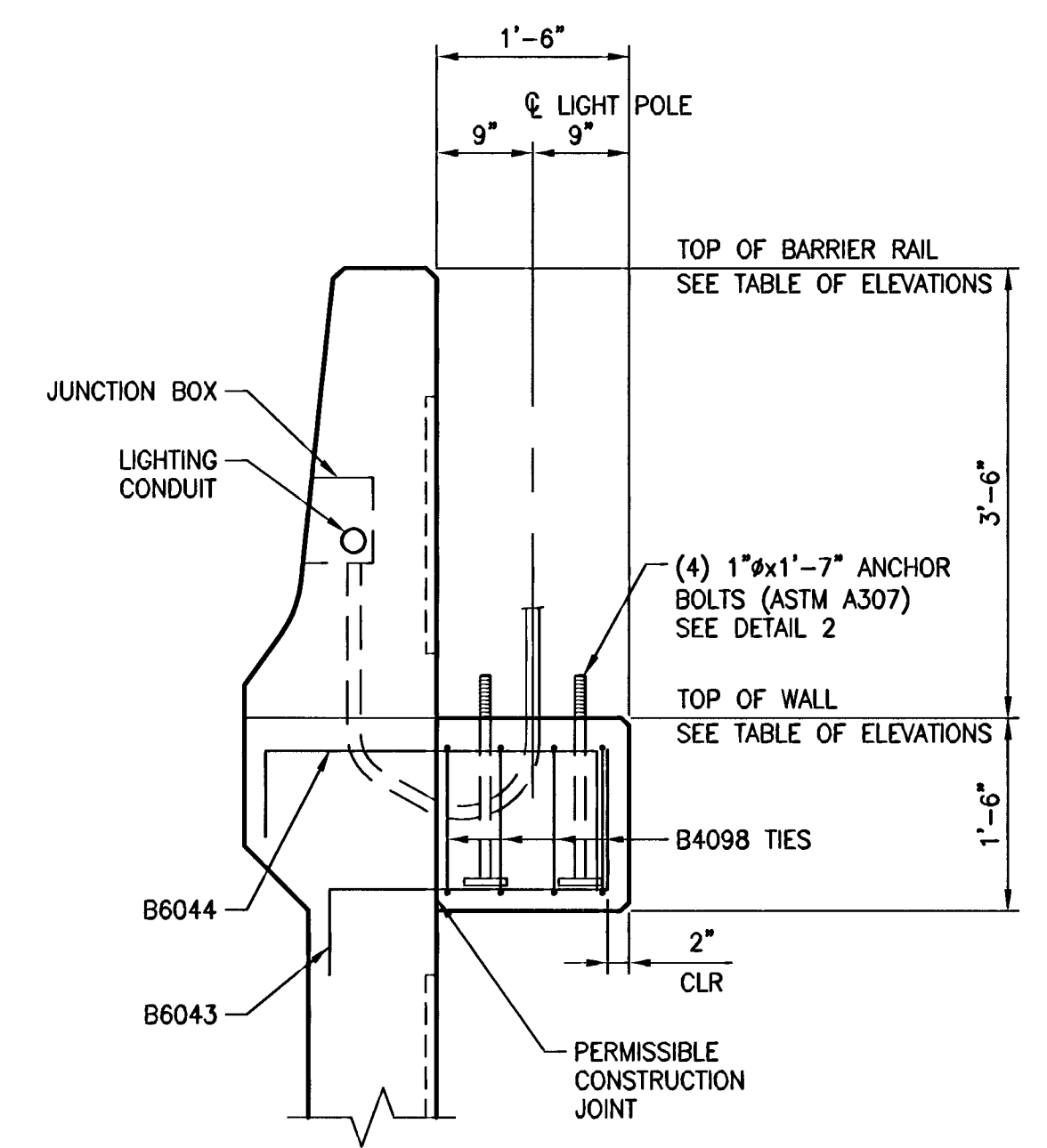
DETAIL 3



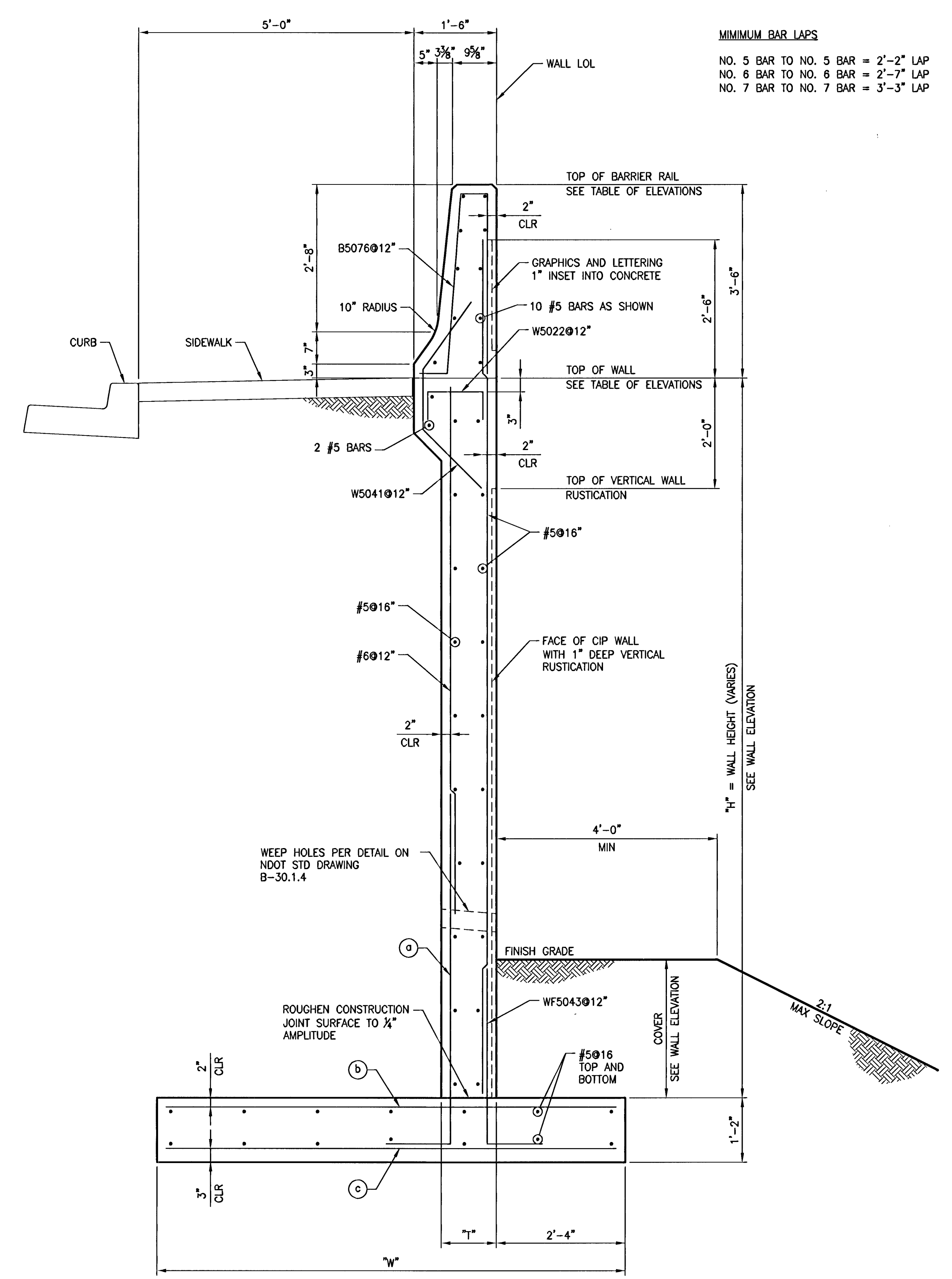
DETAIL 2



DETAIL 1



SECTION L



| RETAINING WALL PARAMETERS |       |       |             |            |            |
|---------------------------|-------|-------|-------------|------------|------------|
| WALL SECTION              | "T"   | "W"   | a BARS      | b BARS     | c BARS     |
| SECTION J-J               | 1'-2" | 9'-0" | WF7077 @ 6" | 7088 @ 12" | 5088 @ 12" |
| SECTION K-K               | 1'-0" | 8'-6" | WF7089 @ 6" | 7082 @ 12" | 5082 @ 12" |

SECTION J-J

SECTION K-K

RETAINING WALL #7

| MARK                    | SIZE         | LENGTH  | NUMBER  | WEIGHT |
|-------------------------|--------------|---------|---------|--------|
| 5 07 3                  | 5 7 3        | 2       | 15.1    |        |
| 5 24 1                  | 5 24 1       | 36      | 904.3   |        |
| 5 60 0                  | 5 60 0       | 80      | 5,008.4 |        |
| 5 08 8                  | 5 8 8        | 140     | 1,265.5 |        |
| 7 08 8                  | 7 8 8        | 140     | 2,480.1 |        |
| B 5 07 6                | 5 7 6        | 140     | 1,095.2 |        |
| W 5 02 2                | 5 2 2        | 140     | 316.4   |        |
| W 5 04 1                | 5 4 1        | 140     | 596.2   |        |
| WF 5 04 3               | 5 4 3        | 140     | 620.6   |        |
| WF 7 07 7               | 7 7 7        | 280     | 4,340.1 |        |
| 2-SETS 5 07 0 TO 5 34 5 | 2 BARS/SET   | 86.4    |         |        |
| 2-SETS 5 04 1 TO 5 33 8 | 2 BARS/SET   | 78.7    |         |        |
| 1-SET 5 06 5 TO 5 12 5  | 140 BARS/SET | 1,375.0 |         |        |
| 1-SET 6 03 4 TO 6 9 8   | 140 BARS/SET | 1,366.8 |         |        |

SUB-TOTAL RETAINING WALL #7

REINFORCING STEEL 19,547 LBS  
CLASS A CONCRETE, MODIFIED (MAJOR) 137 CY

RETAINING WALL #8

| MARK                   | SIZE         | LENGTH  | NUMBER   | WEIGHT |
|------------------------|--------------|---------|----------|--------|
| 5 34 1                 | 5 34 1       | 2       | 71.1     |        |
| 5 16 4                 | 5 16 4       | 2       | 34.1     |        |
| 5 24 9                 | 5 24 9       | 2       | 51.6     |        |
| 5 29 5                 | 5 29 5       | 2       | 61.4     |        |
| 5 31 9                 | 5 31 9       | 2       | 66.2     |        |
| 5 13 1                 | 5 13 1       | 32      | 436.7    |        |
| 5 60 0                 | 5 60 0       | 155     | 9,699.9  |        |
| 5 08 2                 | 5 8 2        | 309     | 2,632.0  |        |
| 7 08 2                 | 7 8 2        | 309     | 5,158.0  |        |
| B 4 09 8               | 4 9 8        | 8       | 51.7     |        |
| B 5 07 6               | 5 7 6        | 309     | 2,417.2  |        |
| B 6 04 3               | 6 4 3        | 20      | 127.7    |        |
| B 6 04 4               | 6 4 4        | 20      | 130.2    |        |
| W 5 02 2               | 5 2 2        | 309     | 698.3    |        |
| W 5 04 1               | 5 4 1        | 309     | 1,316.0  |        |
| WF 5 04 3              | 5 4 3        | 309     | 1,369.7  |        |
| WF 7 08 9              | 7 8 9        | 618     | 11,052.9 |        |
| 1-SET 5 03 5 TO 5 10 0 | 309 BARS/SET | 2,162.0 |          |        |
| 1-SET 6 02 2 TO 6 5 4  | 193 BARS/SET | 1,087.1 |          |        |

SUB-TOTAL RETAINING WALL #8

REINFORCING STEEL 38,624 LBS  
CLASS A CONCRETE, MODIFIED (MAJOR) 234 CY

**PUBLIC WORKS DEPARTMENT**  
CITY OF LAS VEGAS, NV

**CIP RETAINING WALL WALL SECTION**

**HORSE DRIVE / US 95 INTERCHANGE**

DESIGNED BY: K. GRAYES 6/30/2008  
DRAWN BY: R. DAVIS 6/30/2008  
CHECKED BY: R. DAVIS 6/30/2008  
PROJECT NO: 8253 SCALE: 1" = 10' HORIZ. 1" = 10' VERT.

**C. RUSSELL DAVIS**  
REGISTERED PROFESSIONAL ENGINEER  
STATE OF NEVADA  
No. 8253

SHEET 456 RW40  
453 OF 453 SHEETS  
DRAWING NO. 107V3759

7/1/08

114747