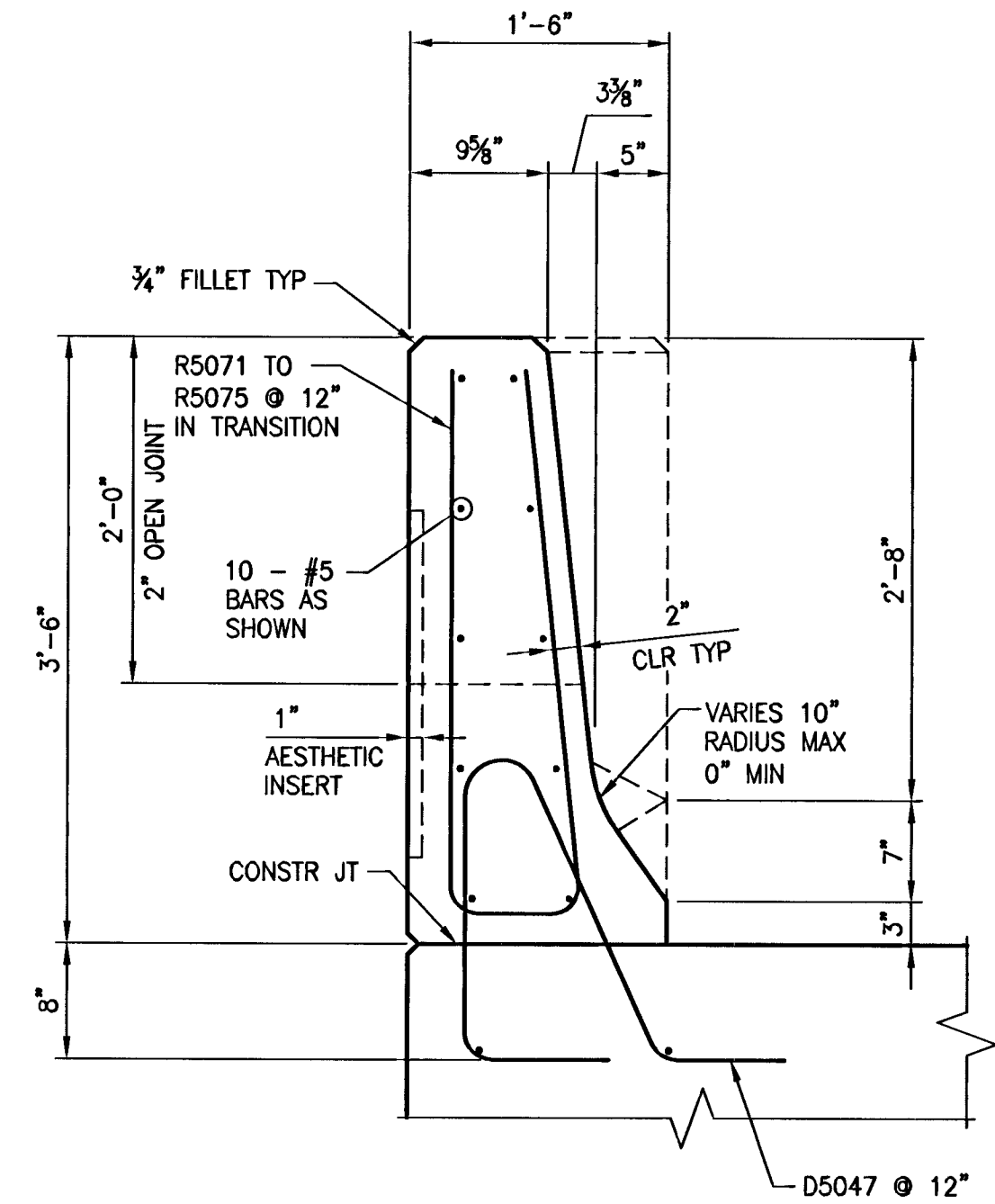
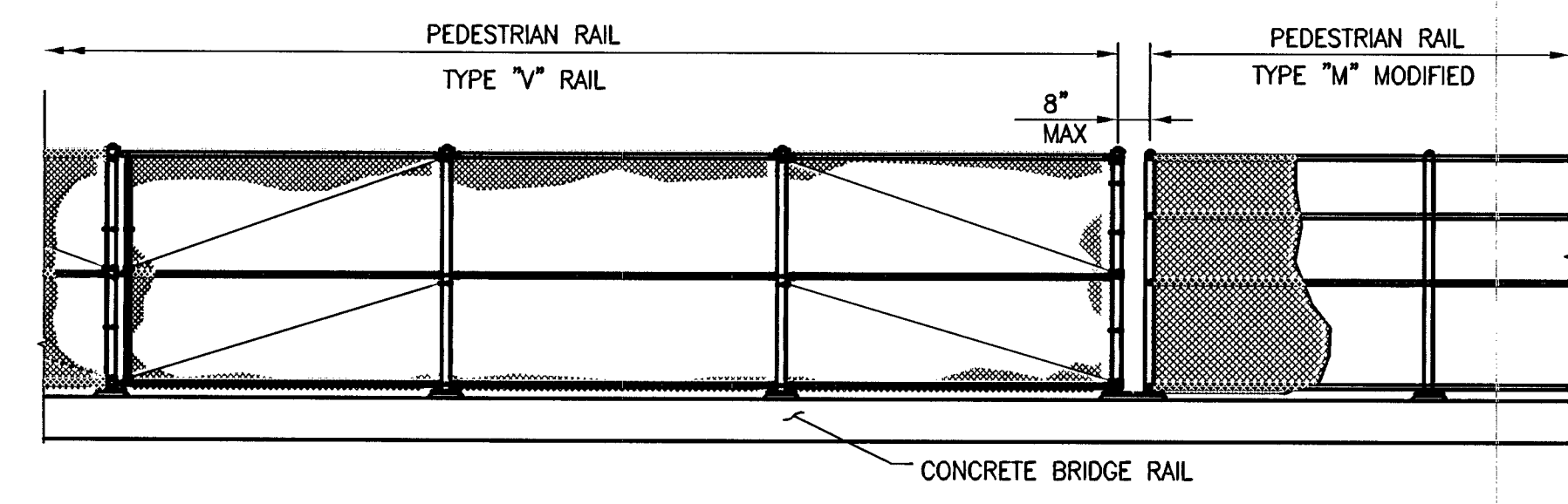


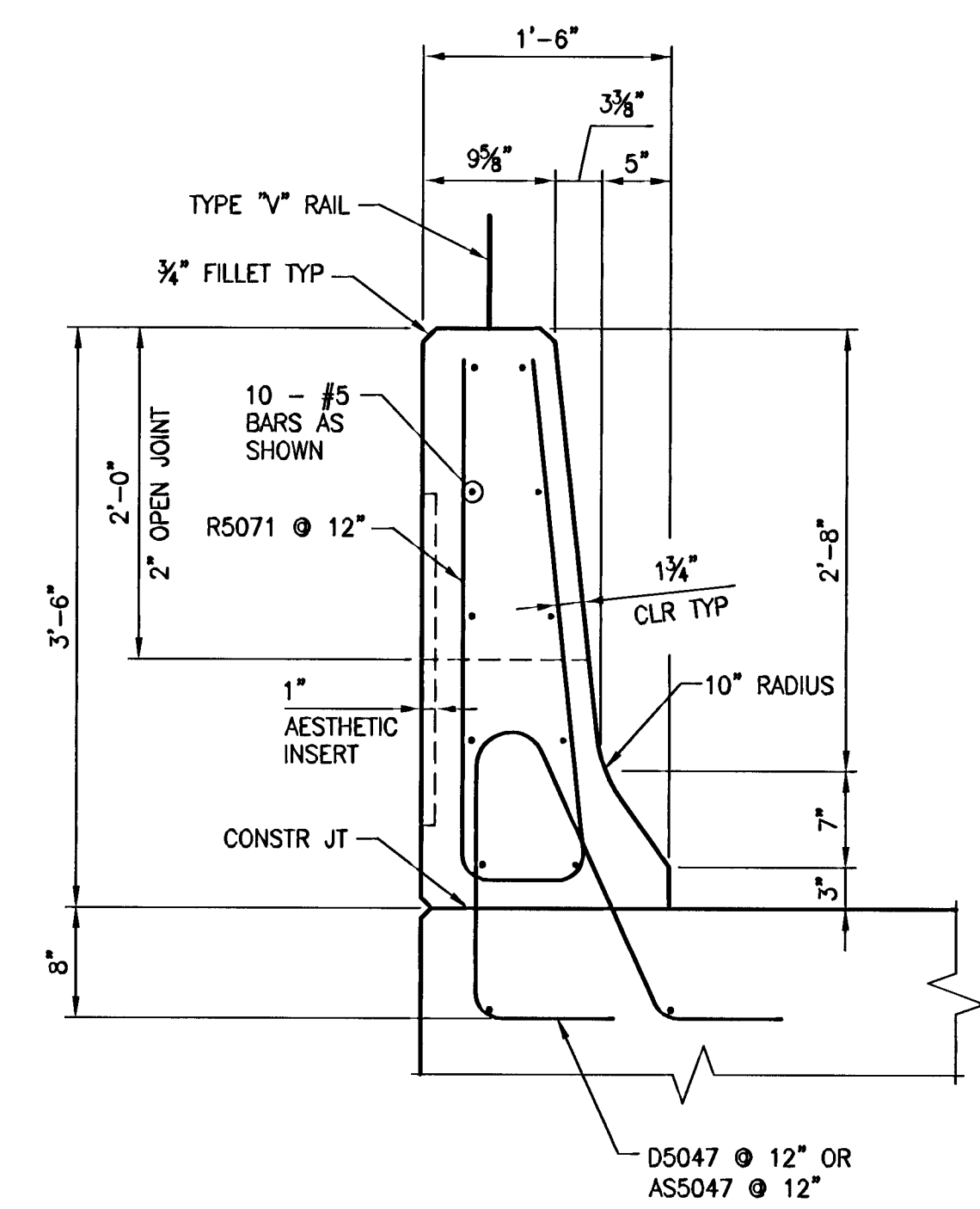
SECTION A-A



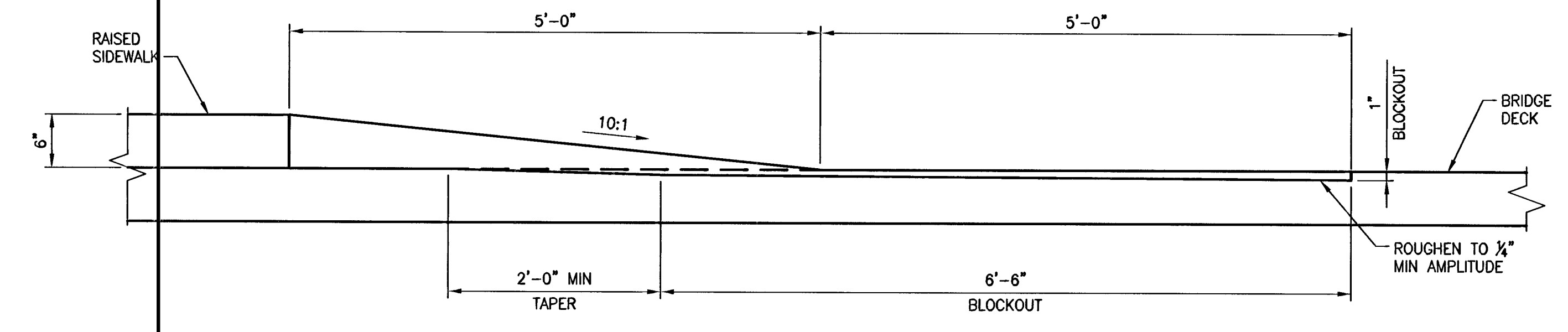
SECTION C-C



PARTIAL ELEVATION



SECTION B-B



SECTION D-D

- NOTES:
1. SIDEWALK RAMP TO BE CONSTRUCTED OF POLYMER MODIFIED CONCRETE (SIKATOP 111 PLUS OR AN APPROVED EQUAL) USING A BONDING AGENT (SIKA ARMATEC 110 EPOCEM OR AN APPROVED EQUAL).
 2. SURFACE PREPARATIONS, MIXING, PLACEMENT AND CURING SHALL CONFORM TO ALL MANUFACTURER'S RECOMMENDATIONS.

DESIGNED BY: R. DAVIS 6/30/2008		DRAWN BY: A. GRANT 6/30/2008		CHECKED BY: R. DAVIS 6/30/2008		PROJECT NO: 8255		SCALE: NONE HORIZ. NONE VERT.	
PUBLIC WORKS DEPARTMENT 400 E. STEWART AVE. LAS VEGAS, NV 89101 702-229-6272		CITY OF LAS VEGAS, NV		R ₂ H ENGINEERING, INC. CONSULTING STRUCTURAL ENGINEERS 940 GREER DRIVE, SUITE 200 • LAS VEGAS, NEVADA • 89119 PHONE (702) 260-7000 • FAX (702) 260-7070		SHEET 355 OF 453 SHEETS DRAWING NO. 107V3759		REVISION BY DATE	
HORSE DRIVE OVER US-95 BRIDGE RAIL & SIDEWALK DETAILS				HORSE DRIVE / US 95 INTERCHANGE					

