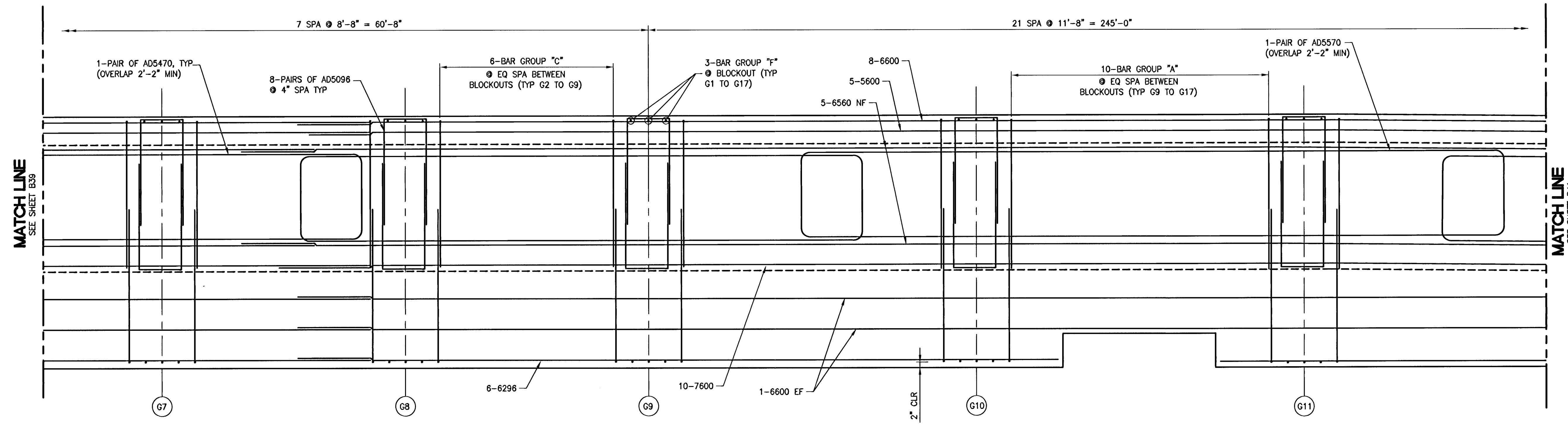


PARTIAL PLAN

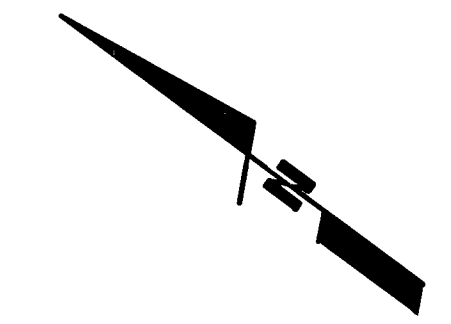


PARTIAL ELEVATION
(LOOKING BACK STATION)

NOTE:
1. FOR SECTIONS A-A, B-B & C-C SEE SHEET B46

- MINIMUM BAR LAPS:
- NO. 4 BAR TO NO. 4 BAR = 1'-8"
 - NO. 5 BAR TO NO. 5 BAR = 2'-2"
 - NO. 6 BAR TO NO. 6 BAR = 2'-7"
 - NO. 7 BAR TO NO. 7 BAR = 3'-3"
 - NO. 8 BAR TO NO. 8 BAR = 4'-3"

114627



PUBLIC WORKS DEPARTMENT CITY OF LAS VEGAS, NV 403 S STEWART AVE LAS VEGAS, NV 89101 702-228-4272		R2H ENGINEERING, INC. CONSULTING STRUCTURAL ENGINEERS 140 GIBBER DRIVE, SUITE 200 • LAS VEGAS, NEVADA • 89119 PHONE: 702-390-7000 • FAX: 702-390-7070	
HORSE DRIVE OVER US-95 ABUTMENT DIAPHRAGM 2 PLAN & ELEVATION 2		HORSE DRIVE / US 95 INTERCHANGE	
DESIGNED BY: L. DAVIS 6/30/2008	DRAWN BY: A. GRANT 6/30/2008	CHECKED BY: L. DAVIS 6/30/2008	PROJECT NO.: 08037
SCALE: 1" = 2'		SCALE: 1" = 2'	
VERT.		VERT.	
SHEET 336 B40 333 OF 453 SHEETS		DRAWING NO. 107V3759	
I-2896			