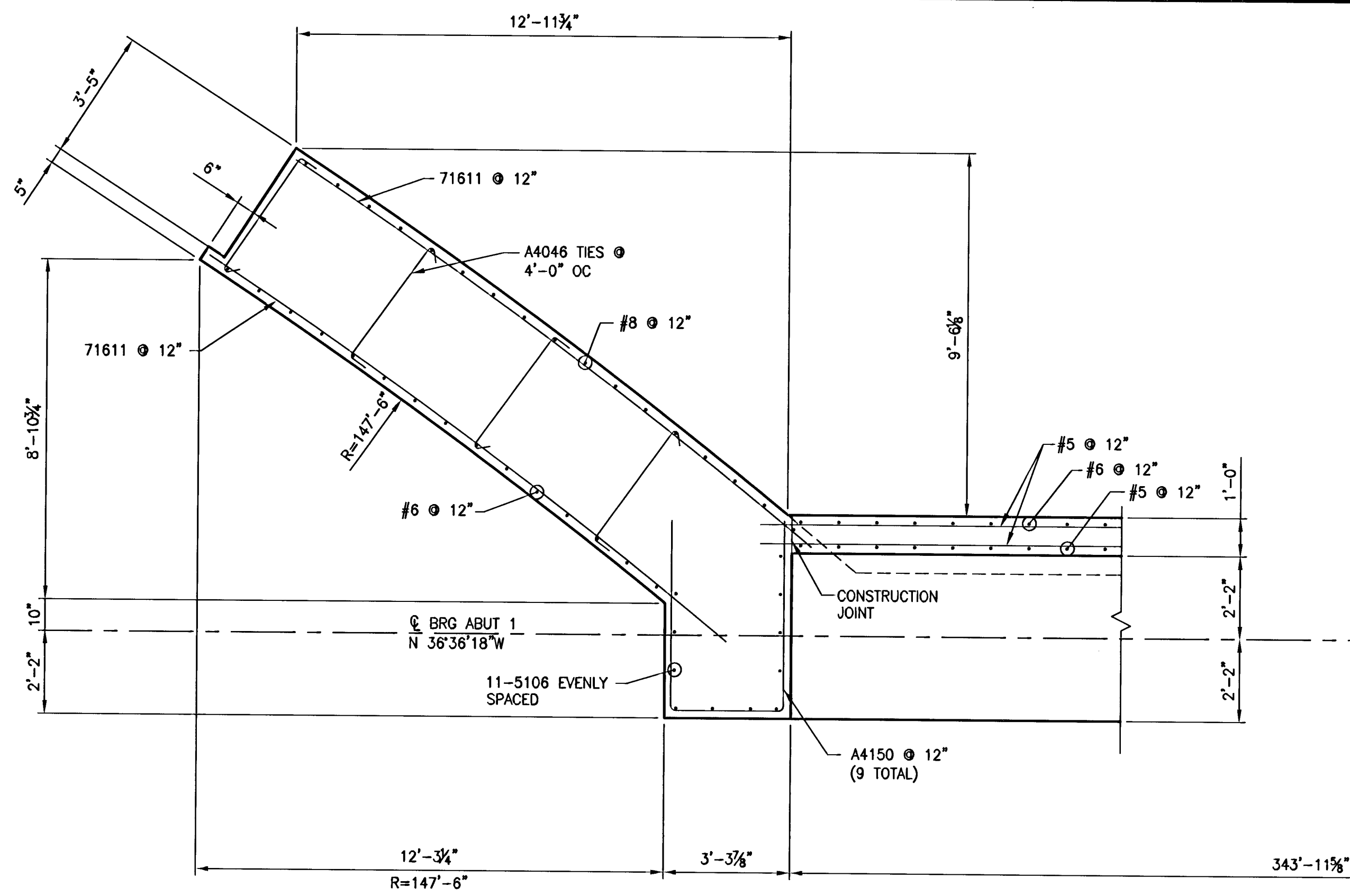
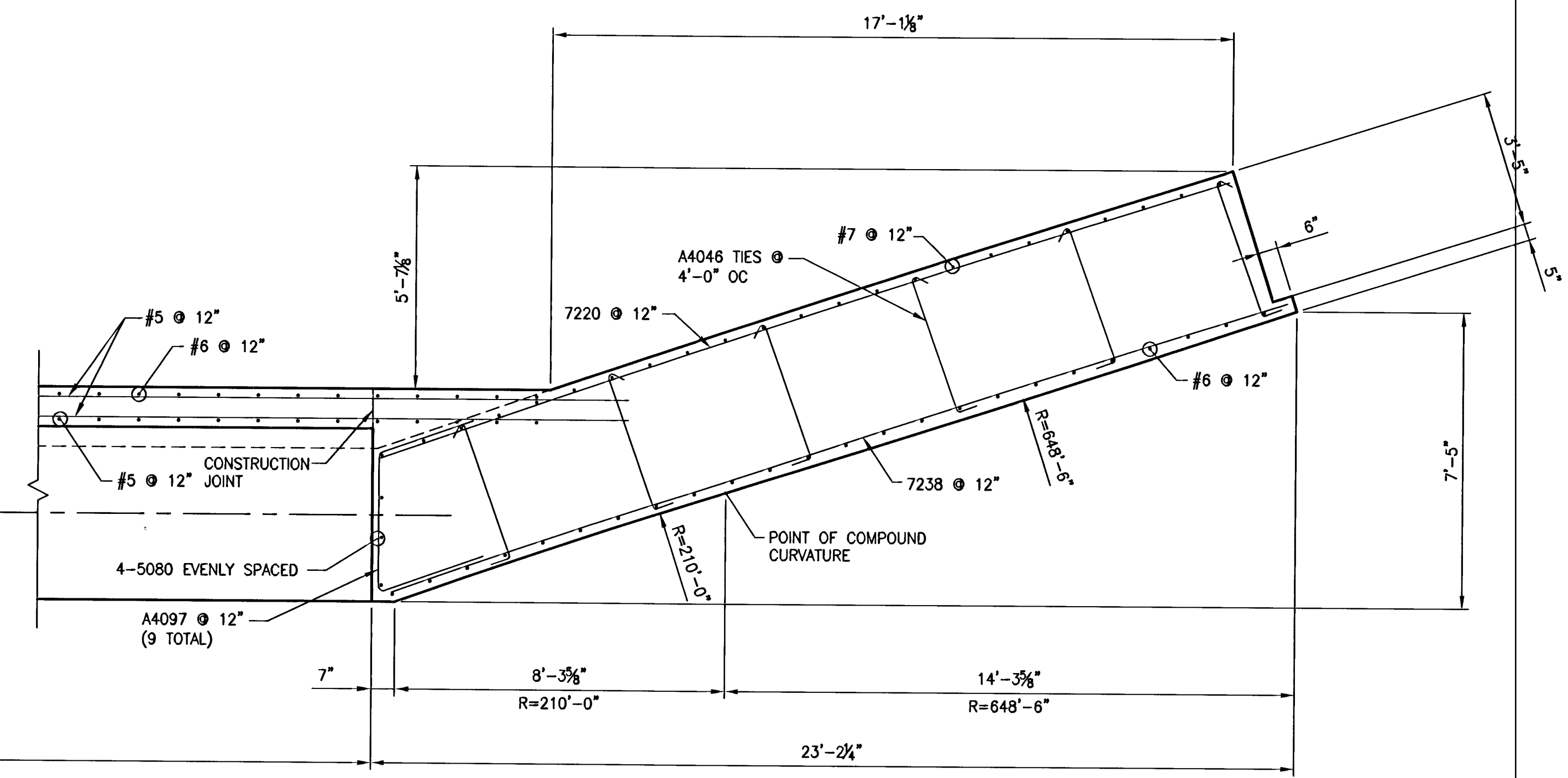


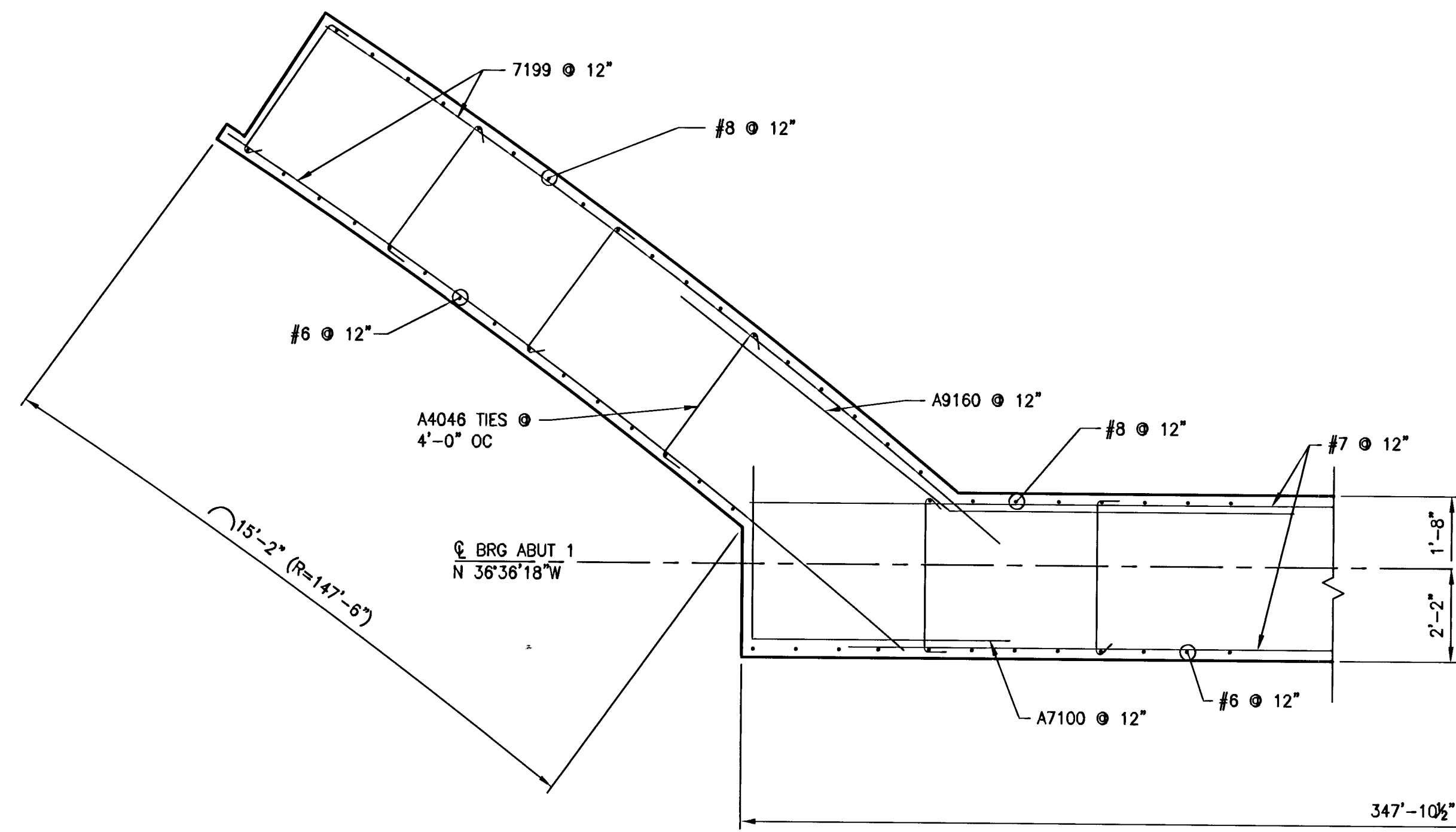
Russ Davis



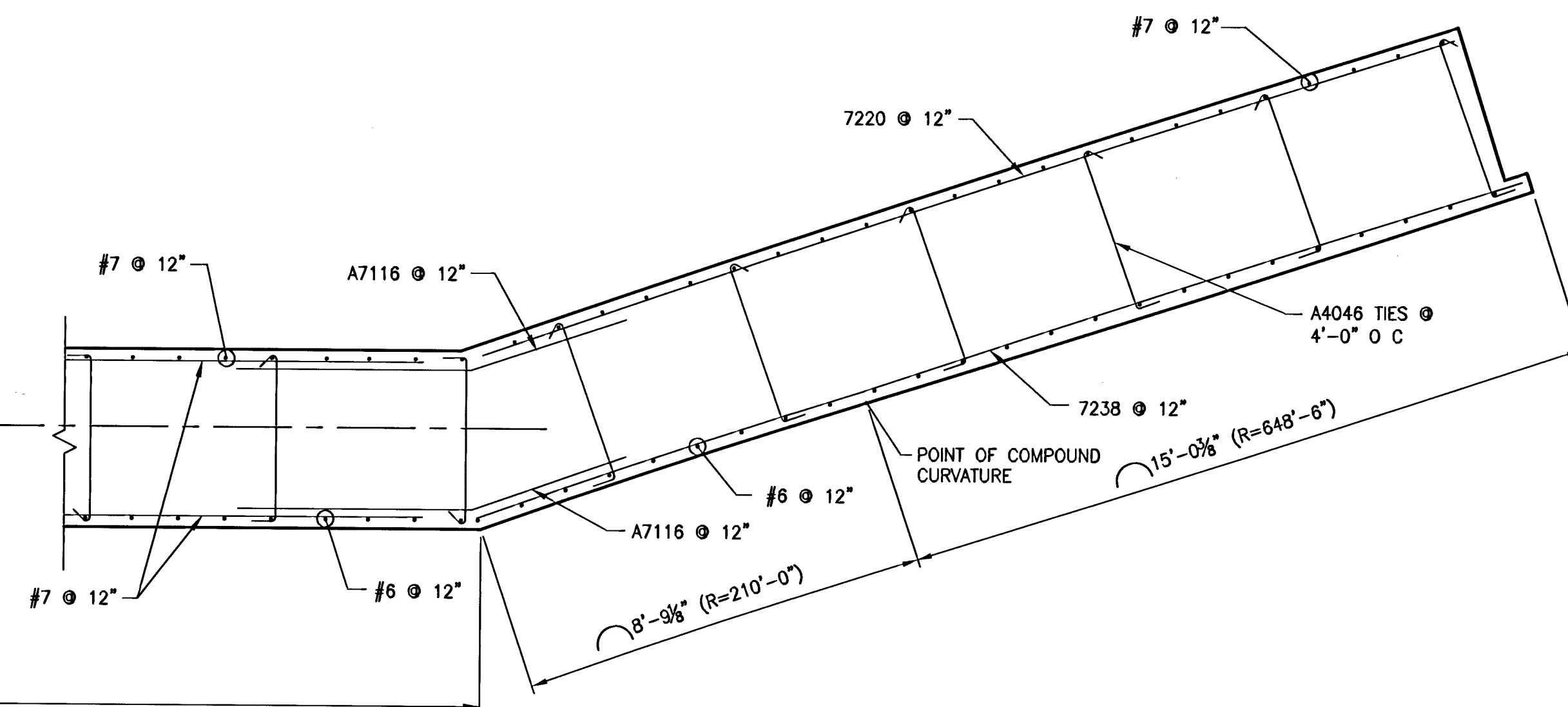
ABUTMENT SECTION A-A



ABUTMENT SECTION C-C



ABUTMENT SECTION B-B



ABUTMENT SECTION D-D

BAR LAPS  
 NO. 5 BAR TO NO. 5 BAR = 2'-2" LAP  
 NO. 6 BAR TO NO. 6 BAR = 2'-7" LAP  
 NO. 7 BAR TO NO. 7 BAR = 3'-3" LAP

Thursday, July 03, 2008 8:00:37 AM

114602

PUBLIC WORKS DEPARTMENT

CITY OF LAS VEGAS, NV

R&H ENGINEERING, INC.  
 CONSULTING STRUCTURAL ENGINEERS  
 840 ORIENT DRIVE, SUITE 200 • LAS VEGAS, NEVADA • 89119  
 PHONE (702) 260-7000 • FAX (702) 260-7070

HORSE DRIVE OVER US-95

ABUTMENT 2 & WINGWALL SECTIONS

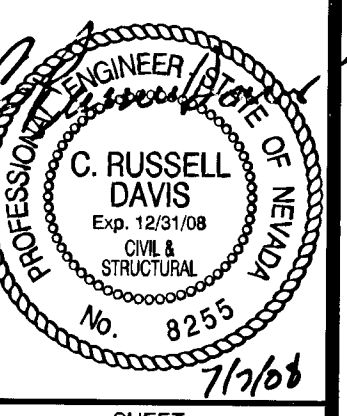
HORSE DRIVE / US 95 INTERCHANGE

DESIGNED BY: DMS 6/20/2008

DRAWN BY: ELL 6/20/2008

CHECKED BY: R. DAVIS 6/20/2008

PROJECT NO.: 8253 SCALE: 3/8"=1'-0" HORIZ. 3/8"=1'-0" VERT.



SHEET  
**B15**  
 OF 493 SHEETS  
 DRAWING NO.  
 107V3759

I-2896

P:\06060374-DWG\HORSEDR\_B15.DWG