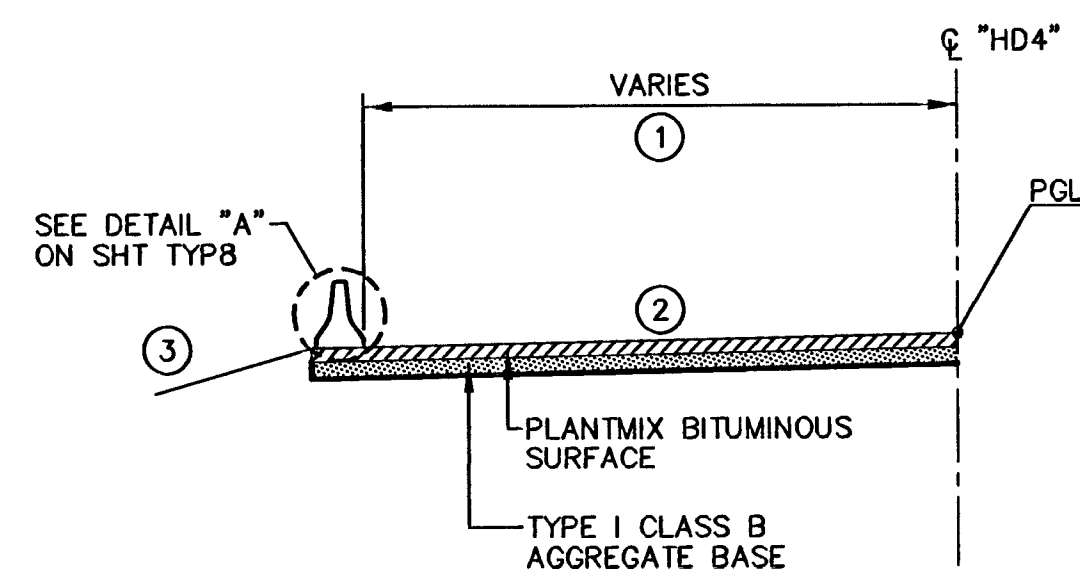


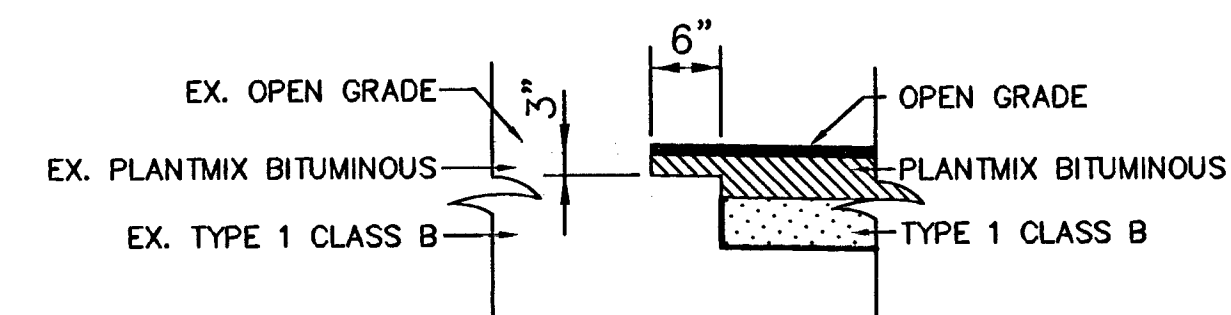
US 95 SOUTH BOUND ON-RAMP "HD4"

"HD4" 119+20.49 TO "HD4" 149+90.07=
 "XS" 318+93.3± TO "XS" 349+62.9±

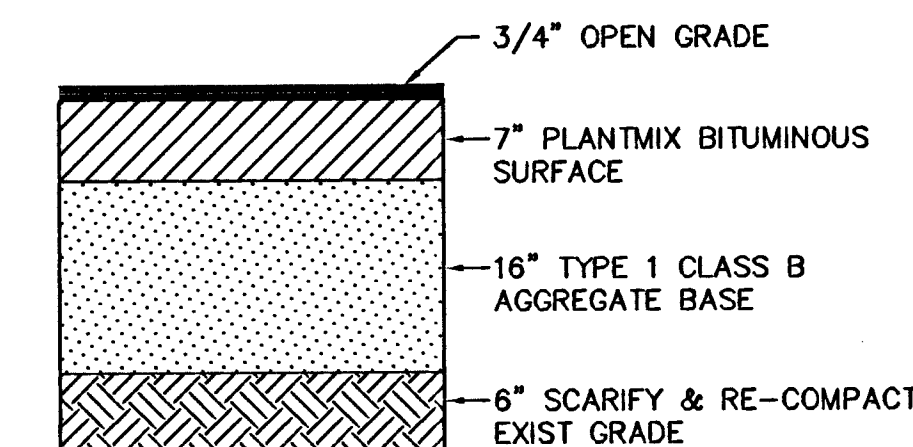


US 95 SOUTH BOUND ON-RAMP "HD4"

"HD4" 152+00 TO "HD4" 156+00
 "HD4" 161+38.99 TO "HD4" 162+45.57

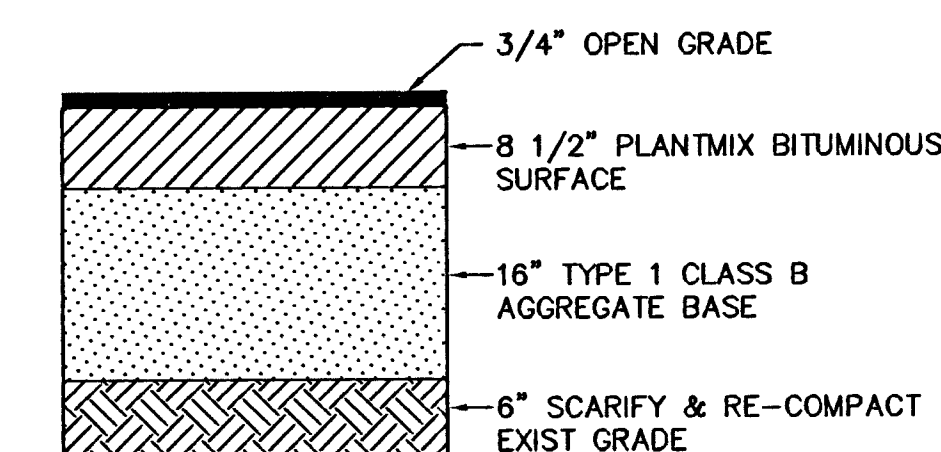


SAWCUT AT US95 MAINLINE



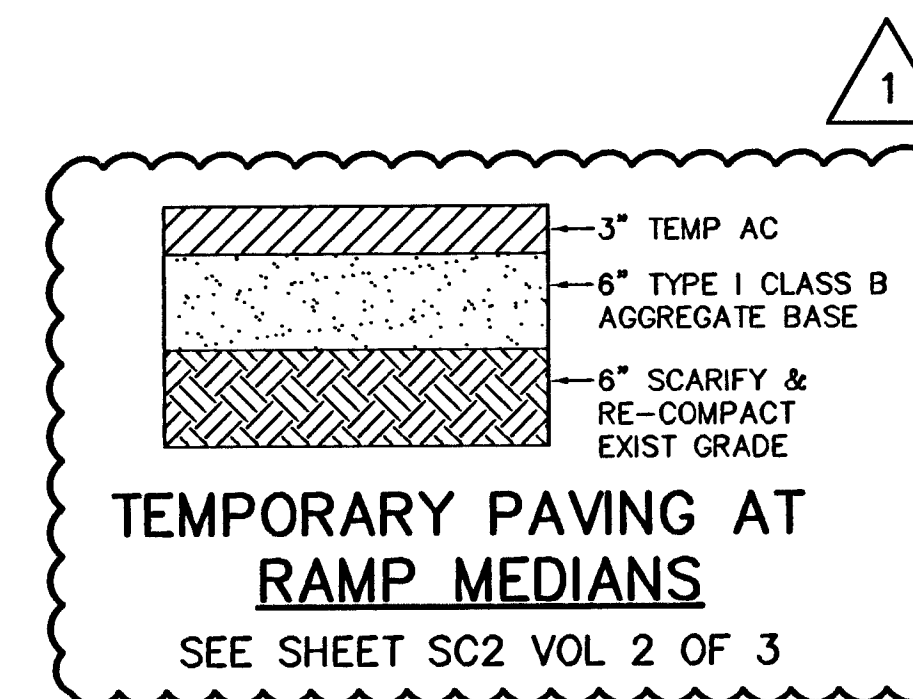
US 95 SOUTH BOUND ON-RAMP "HD4" & "HD4A"

TYPICAL PAVEMENT SECTION

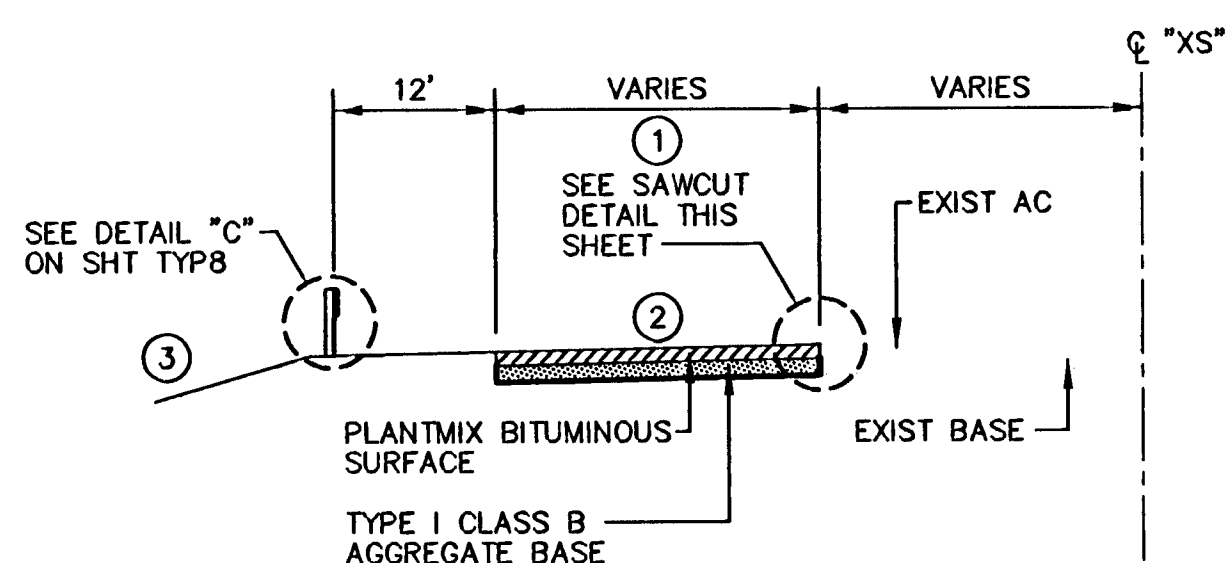


US 95 MAINLINE SOUTH BOUND

TYPICAL PAVEMENT SECTION

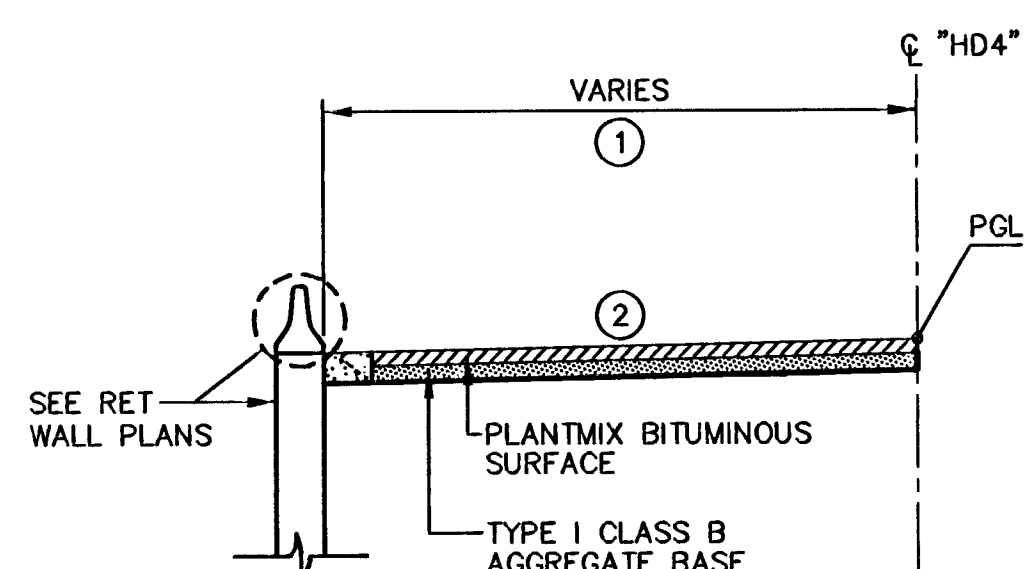


TEMPORARY PAVING AT RAMP MEDIANS
 SEE SHEET SC2 VOL 2 OF 3



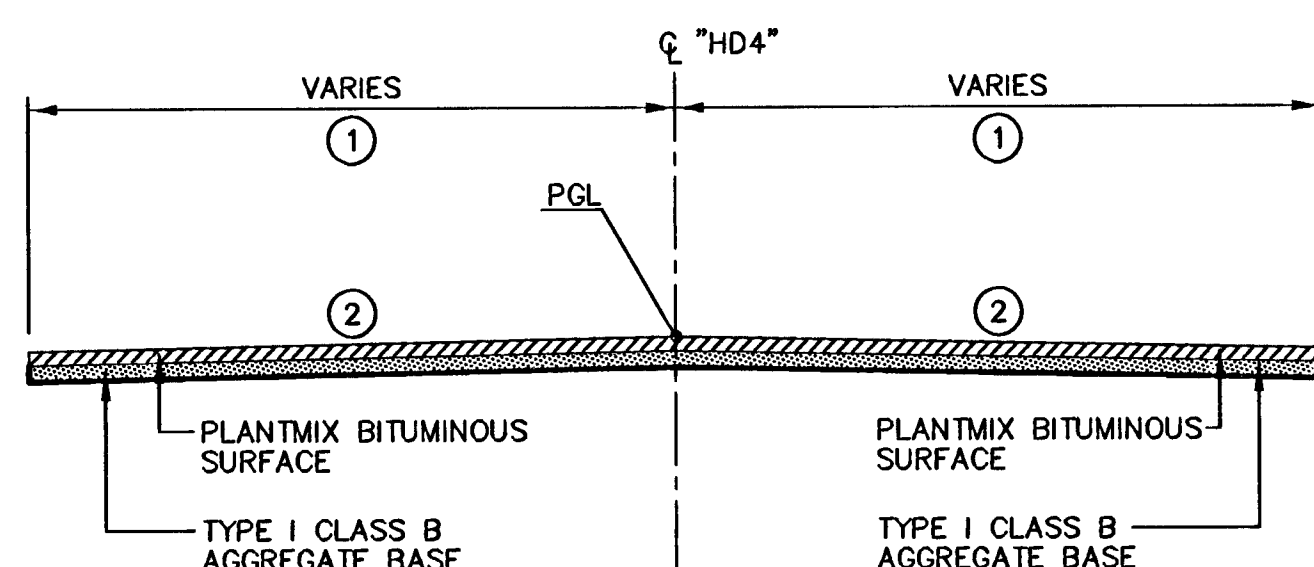
US 95 SOUTH BOUND ON-RAMP "HD4"

"HD4" 129+92.08 TO "HD4" 133+35.88



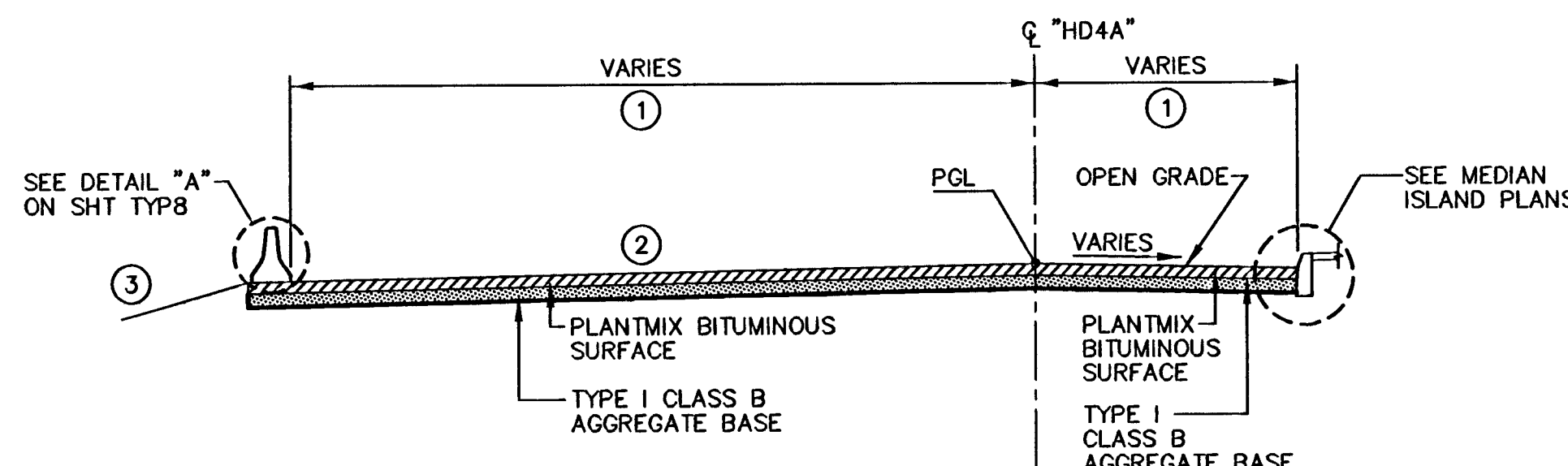
US 95 SOUTH BOUND ON-RAMP "HD4"

"HD4" 156+00 TO "HD4" 161+38.99



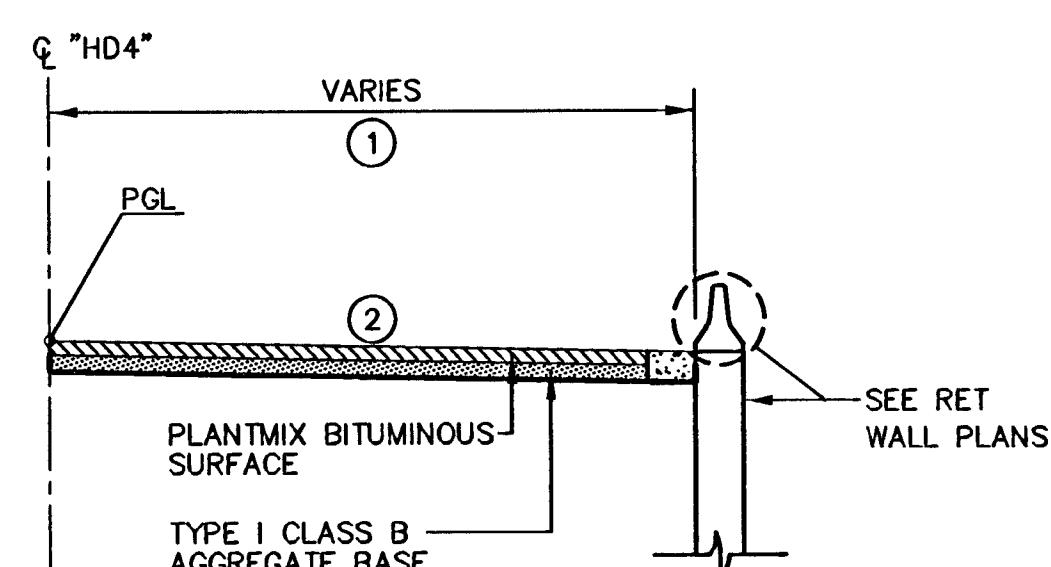
US 95 SOUTH BOUND ON-RAMP "HD4"

"HD4" 149+90.07 TO "HD4" 162+45.57



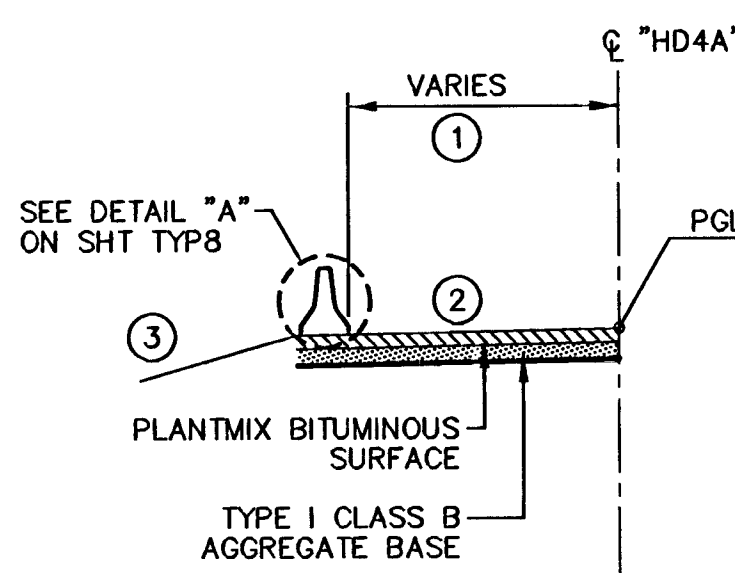
US 95 SOUTH BOUND ON-RAMP "HD4A"

"HD4A" 162+53.66 TO "HD4A" 163+48.20



US 95 SOUTH BOUND ON-RAMP "HD4"

"HD4" 151+51.42 TO "HD4" 162+45.57



US 95 SOUTH BOUND ON-RAMP "HD4A"

"HD4A" 161+38.99 TO "HD4A" 162+53.66

CONSTRUCTION NOTES:

- PAVEMENT WIDTH VARIES (SEE ROADWAY PLANS FOR PAVEMENT WIDTHS)
- CROSS SLOPE VARIES (SEE PROFILE SHT P7 & P7A FOR THE SUPERELEVATION DIAGRAMS)
- SLOPE VARIES (SEE DRAINAGE AND GRADING PLANS)

NOTE:

- FOR BARRIER RAIL LOCATIONS SEE ROADWAY PLANS
- FOR FENCE LOCATIONS SEE FENCE PLANS

AVOID OVERHEAD POWER LINE CONTACT IT'S COSTLY
Call before you Dig
 Call 811
 1-702-227-2929
 NEVADA POWER ENVIRONMENT AND SAFETY SERVICES DEPARTMENT

PUBLIC WORKS DEPARTMENT CITY OF LAS VEGAS, NV 400 E. STEWART AVE. LAS VEGAS, NV 89101 702-223-6272		277 SOUTH RANCHO BOULEVARD LAS VEGAS, NEVADA 89146-5148 PH (702) 877-7500 FAX (702) 362-2587 nevada CONSULTING ENGINEERS & PLANNERS • LAND SERVICES	
TYPICAL CROSS SECTIONS US 95 SOUTH BOUND ON-RAMP "HD4" & "HD4A"		HORSE DRIVE / US 95 INTERCHANGE	
DRAWN BY: DRF	DESIGNED BY: LW	CHECKED BY: KDC	PROJECT NO: SCALE: NTS N/A
06/20/2008	06/20/2008	06/20/2008	HORIZ. VERT.
SHEET TYP7R OF SHEETS		DRAWING NO. 107V3759	