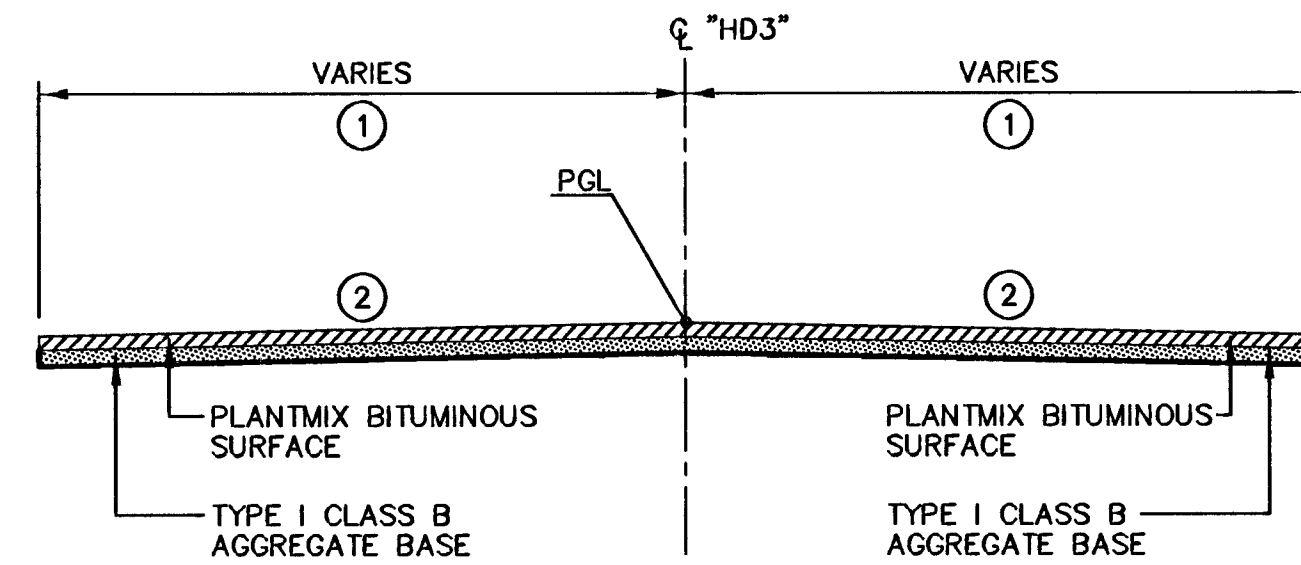
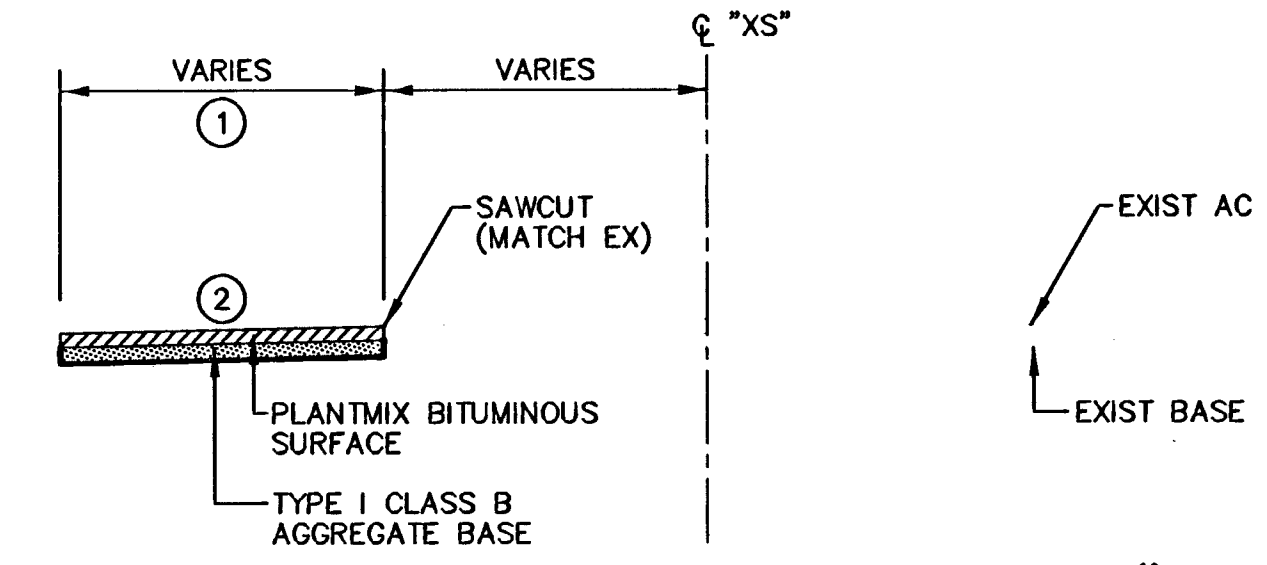


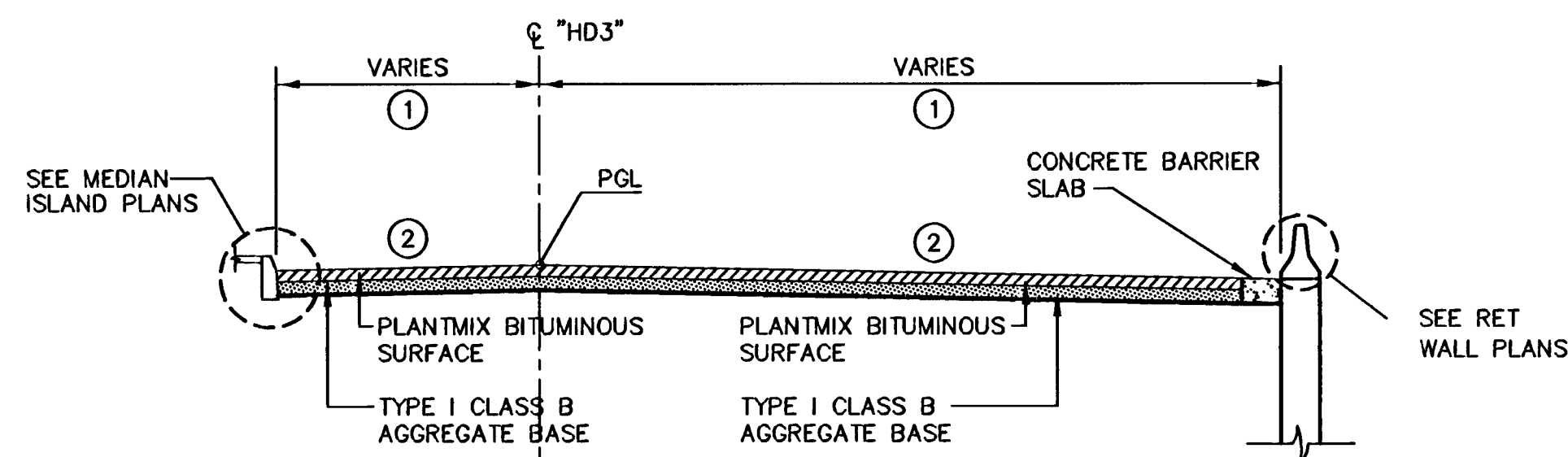
**US 95 SOUTH BOUND OFF-RAMP "HD3A"**  
 "HD3A" 165+45.52 TO "HD3A" 166+73.12



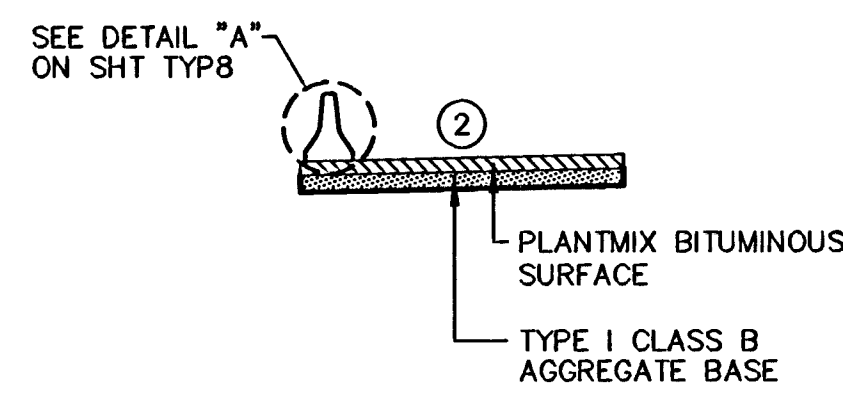
**US 95 SOUTH BOUND OFF-RAMP "HD3"**  
 "HD3" 173+96.47 TO "HD3" 179+34.49



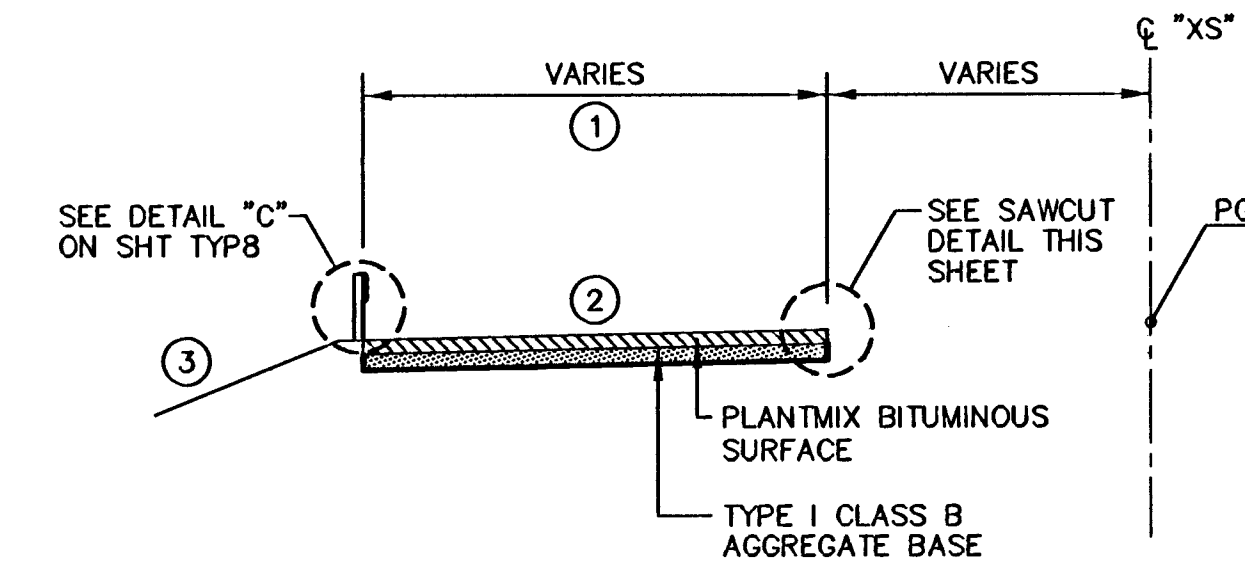
**US 95 SOUTH BOUND OFF-RAMP "HD3"**  
 "HD3" 179+34.49 TO "HD3" 186+49.52=  
 "XS" 379+07.6± TO "XS" 386+24.1±



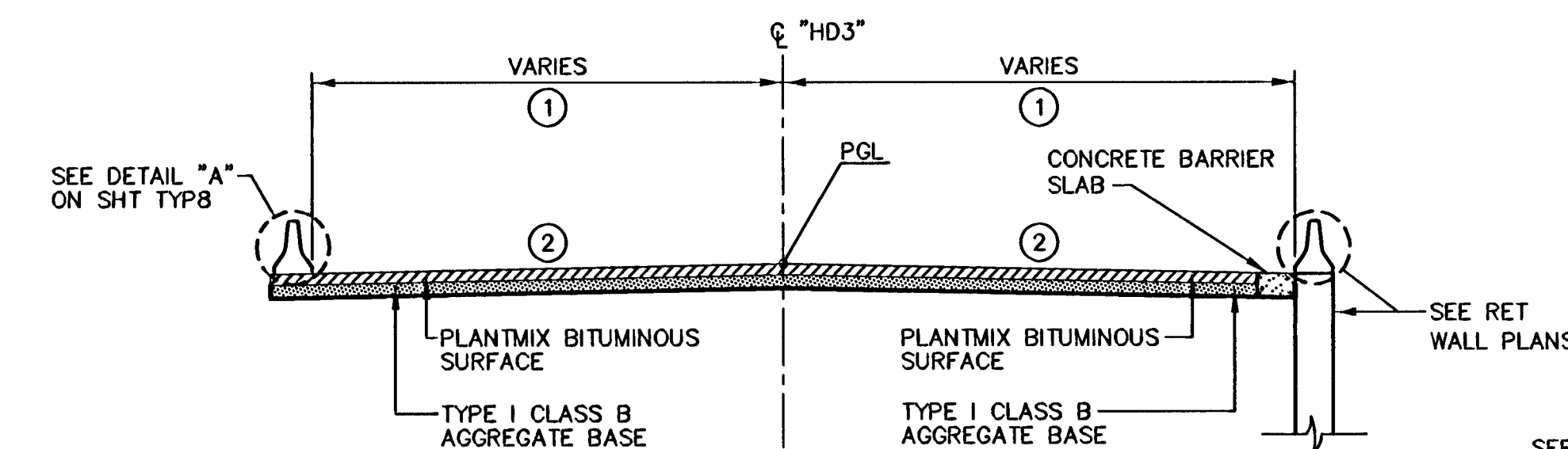
**US 95 SOUTH BOUND OFF-RAMP "HD3"**  
 "HD3" 165+92.34 TO "HD3" 166+74.11



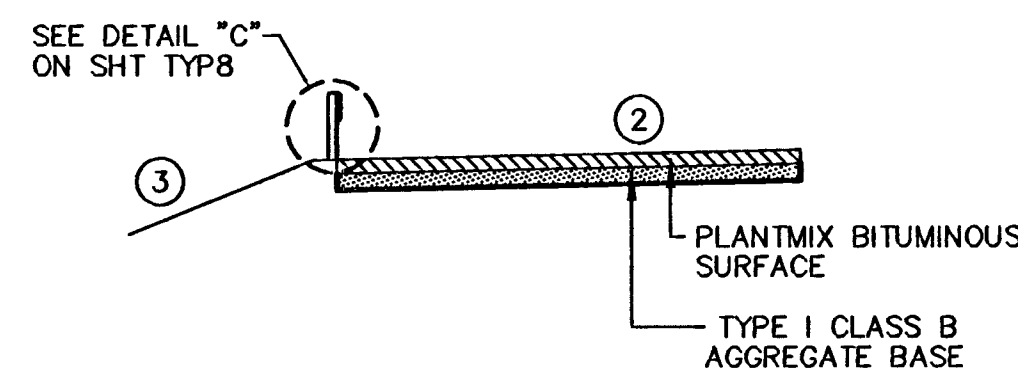
**US 95 SOUTH BOUND OFF-RAMP "HD3"**  
 "HD3" 173+96.47 TO "HD3" 176+24.43



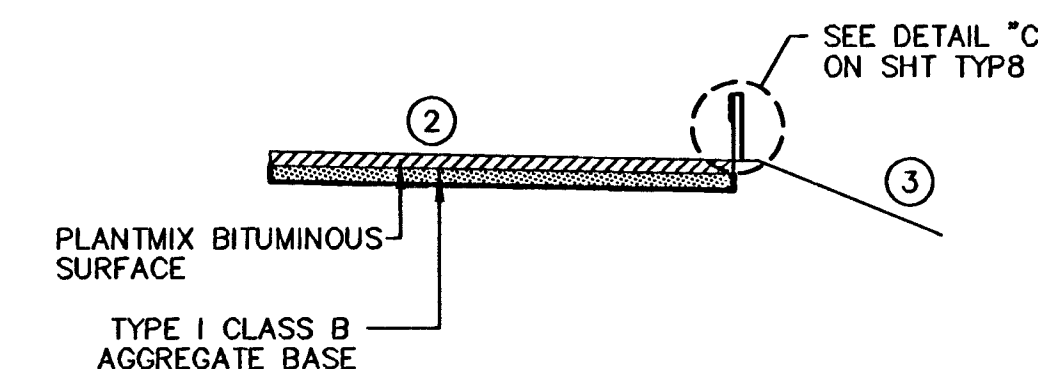
**US 95 SOUTH BOUND OFF-RAMP "HD3"**  
 "HD3" 182+07.25 TO "HD3" 186+49.52



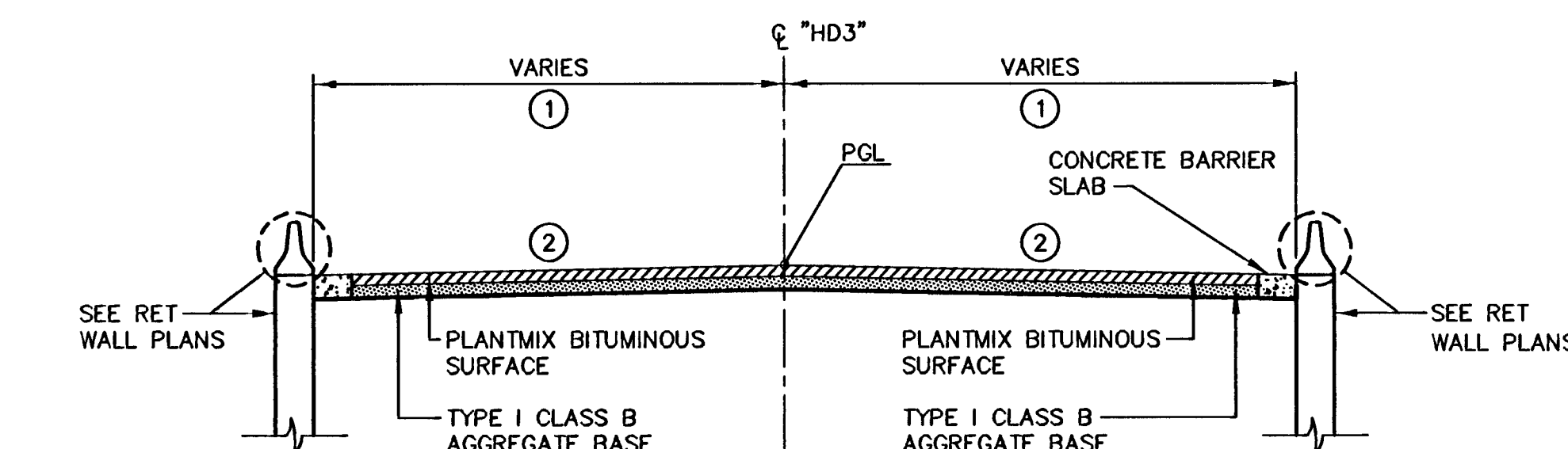
**US 95 SOUTH BOUND OFF-RAMP "HD3"**  
 "HD3" 166+74.11 TO "HD3" 170+25  
 "HD3" 173+96.47 TO "HD3" 175+77.82



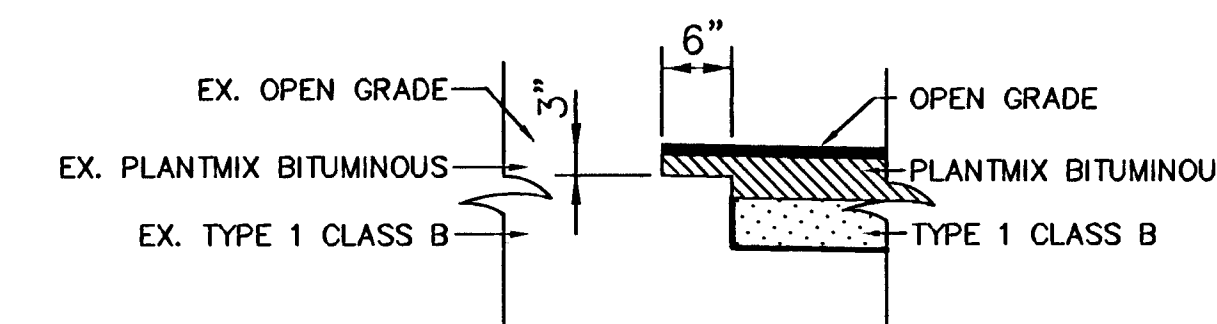
**US 95 SOUTH BOUND OFF-RAMP "HD3"**  
 "HD3" 176+24.43 TO "HD3" 176+95.12



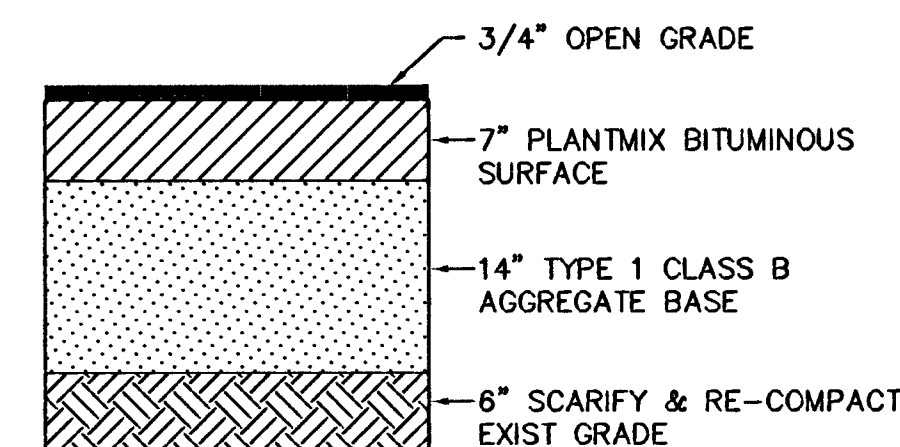
**US 95 SOUTH BOUND OFF-RAMP "HD3"**  
 "HD3" 175+77.82 TO "HD3" 176+48.09



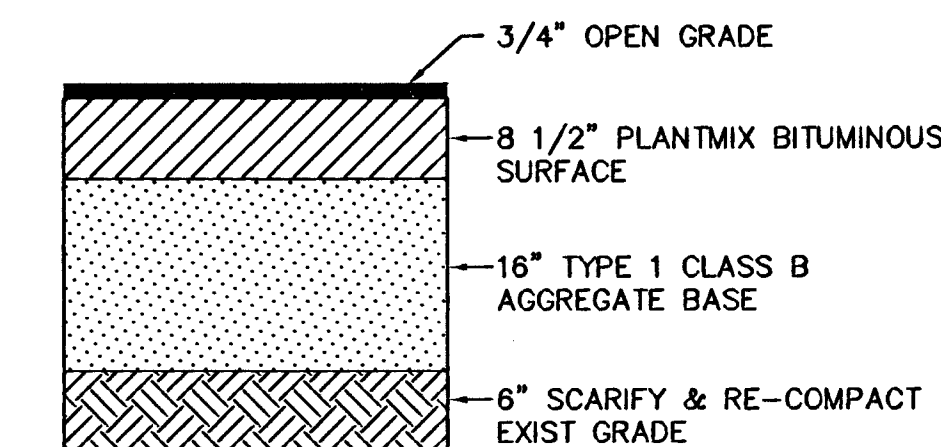
**US 95 SOUTH BOUND OFF-RAMP "HD3"**  
 "HD3" 170+25 TO "HD3" 173+96.47



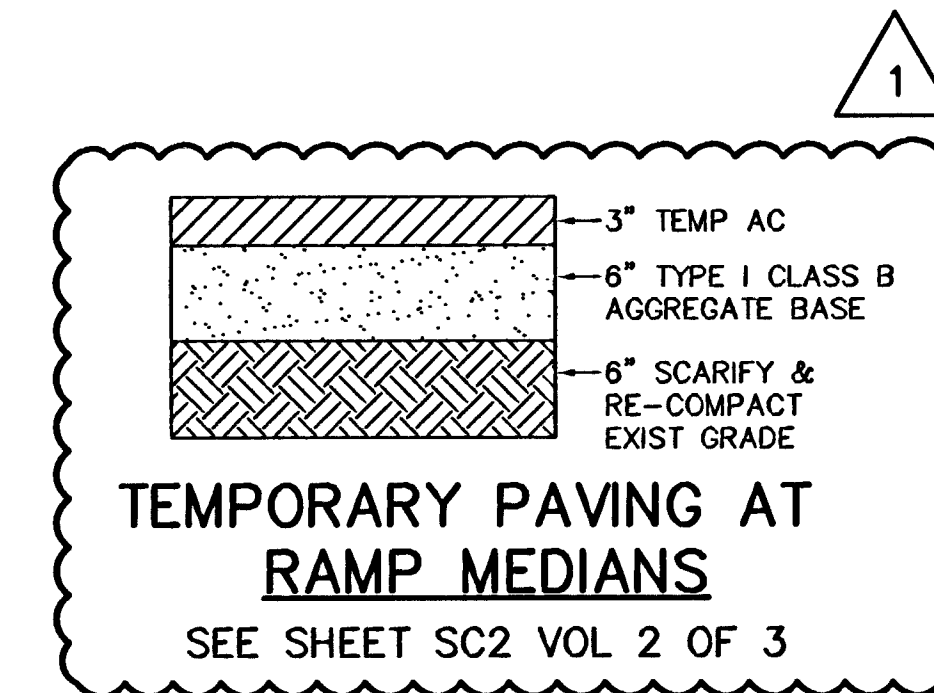
**SAWCUT AT US95 MAINLINE**



**US 95 SOUTH BOUND OFF-RAMP "HD3" & "HD3A"**  
 TYPICAL PAVEMENT SECTION



**US 95 MAINLINE SOUTH BOUND**  
 TYPICAL PAVEMENT SECTION



**TEMPORARY PAVING AT RAMP MEDIANS**  
 SEE SHEET SC2 VOL 2 OF 3

**CONSTRUCTION NOTES:**

1. PAVEMENT WIDTH VARIES (SEE ROADWAY PLANS FOR PAVEMENT WIDTHS)
2. CROSS SLOPE VARIES (SEE PROFILE SHT P6 & P6A FOR THE SUPERELEVATION DIAGRAMS)
3. SLOPE VARIES (SEE DRAINAGE AND GRADING PLANS)

**NOTE:**

1. FOR BARRIER RAIL LOCATIONS SEE ROADWAY PLANS
2. FOR FENCE LOCATIONS SEE FENCE PLANS

**Call before you Dig**  
 1-702-227-2929  
 NEVADA POWER ENVIRONMENT AND SAFETY SERVICES DEPARTMENT

**Call before you Dig**  
 1-800-227-2600  
 NEVADA POWER ENVIRONMENT AND SAFETY SERVICES DEPARTMENT

DRAWN BY: DRF	06/20/2008	DESIGNED BY: LAW	06/20/2008	CHECKED BY: MDO	06/20/2008	PROJECT NO: 6500	SCALE: N/A	VERT.:
<p><b>PUBLIC WORKS DEPARTMENT</b>          CITY OF LAS VEGAS, NV          777 SOUTH RAMPAGE BOULEVARD LAS VEGAS, NEVADA 89146-5146          PH: (702) 877-7656 FAX: (702) 365-2587          nevada consulting engineers &amp; planners • LAND SURVEYORS</p>								
<p><b>TYPICAL CROSS SECTIONS</b>          US 95 SOUTH BOUND OFF-RAMP "HD3" &amp; "HD3A"</p>								
<p><b>HORSE DRIVE / US 95 INTERCHANGE</b></p>								
<p>SHEET <b>TYP6R</b>          OF SHEETS          DRAWING NO. <b>107V3769</b></p>								