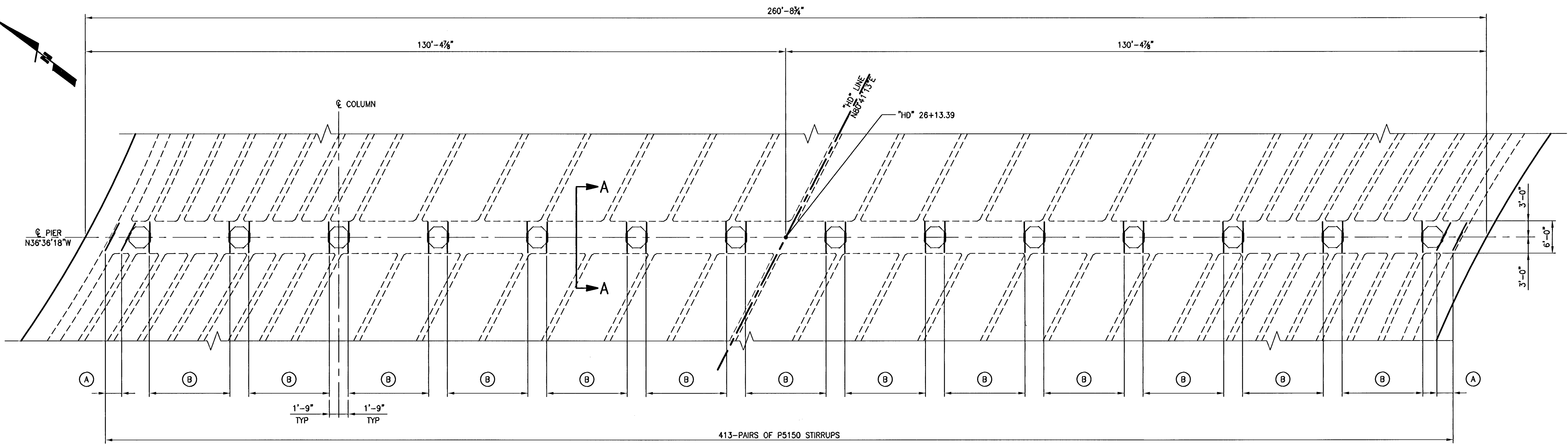
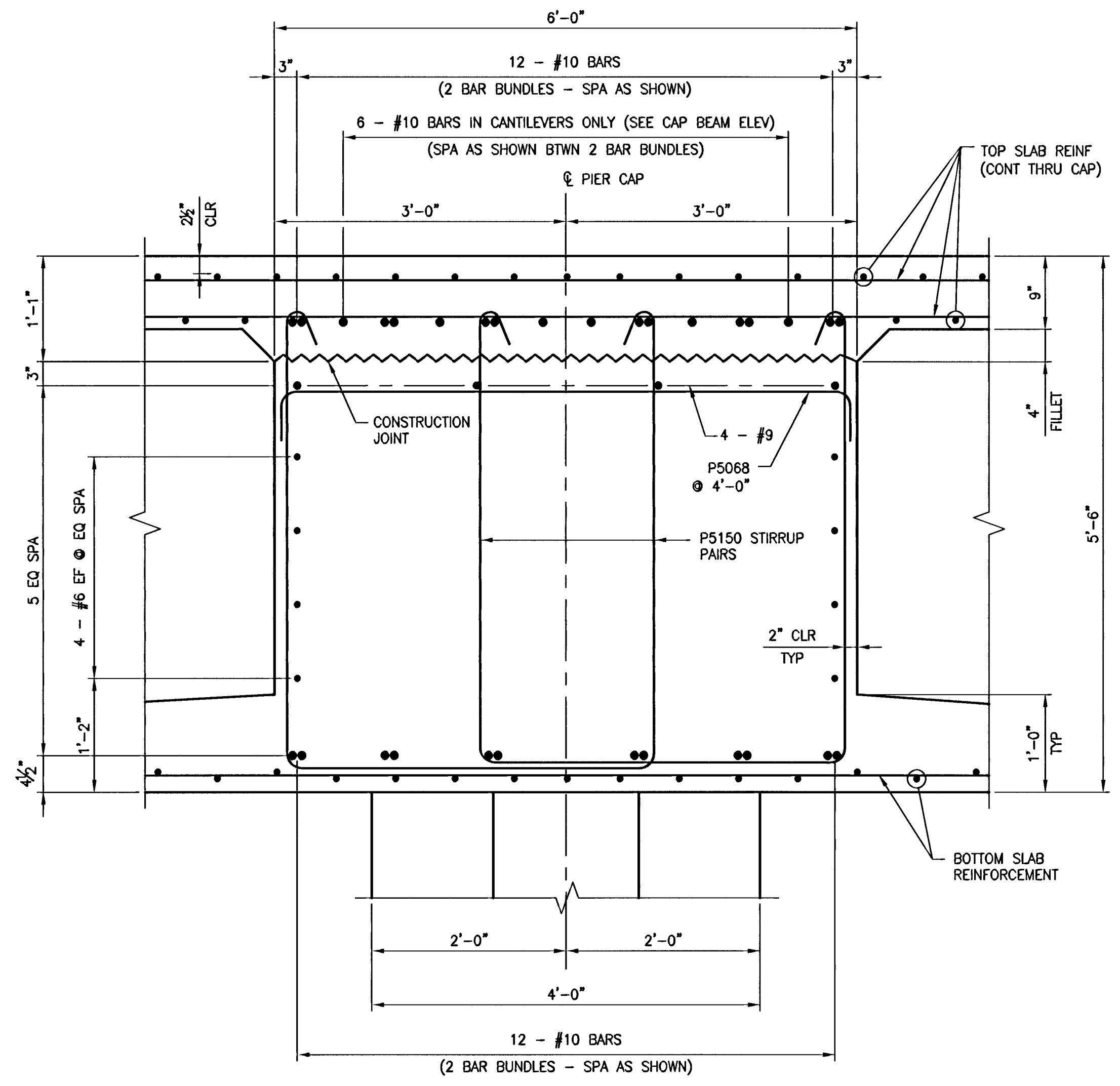


Russ Davis

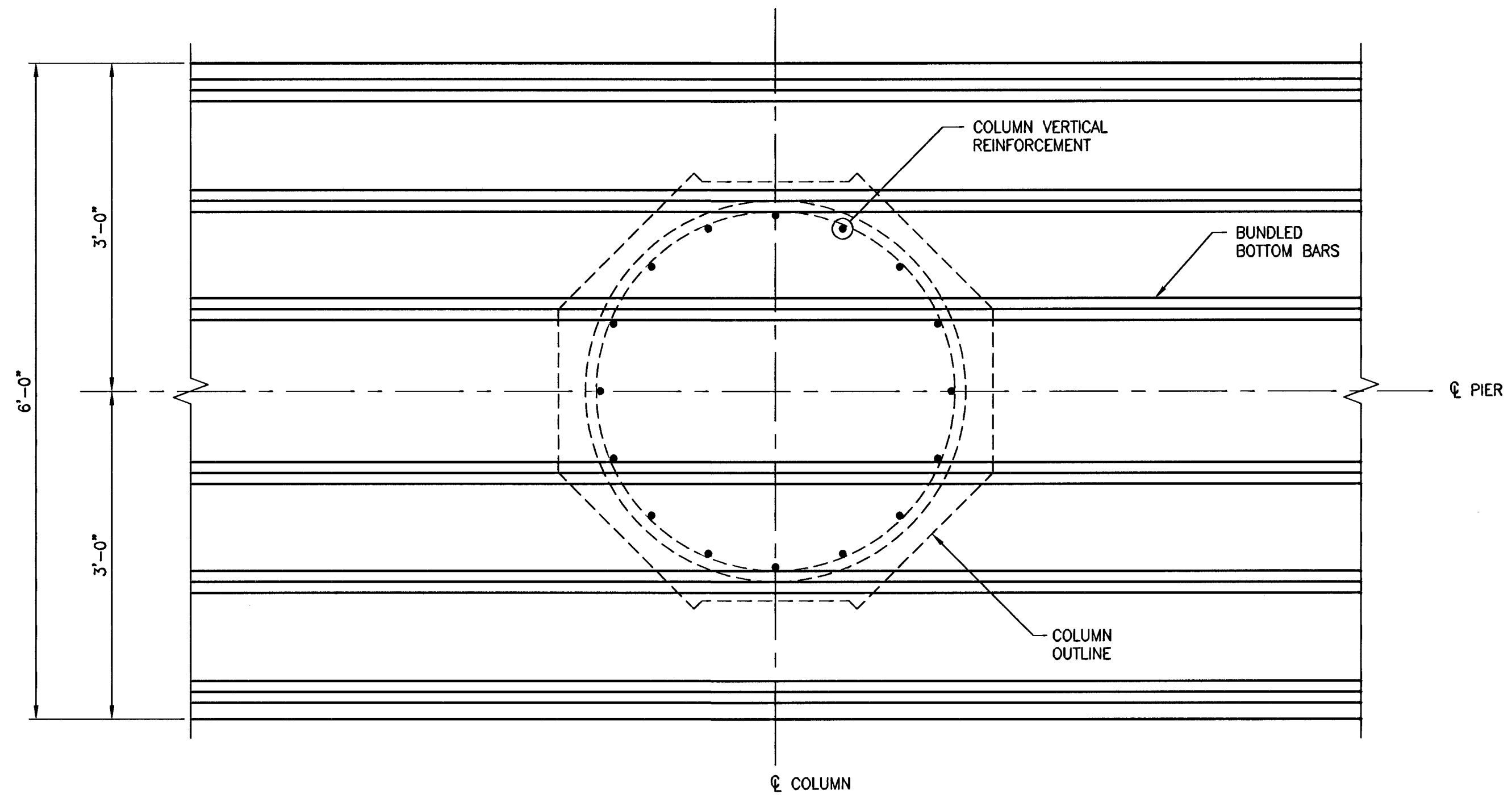


PLAN

- NOTES:
1. STIRRUP SET (A) : 5 PAIRS OF P5150 @ 6" SPA = 3'-0"
 2. STIRRUP SET (B) : 31 PAIRS OF P5150 @ 6" SPA = 15'-0"
 3. WITH APPROVAL OF THE ENGINEER, STIRRUPS MAY BE ADJUSTED TO ACCOMMODATE POST TENSIONING DUCTS.



SECTION A-A

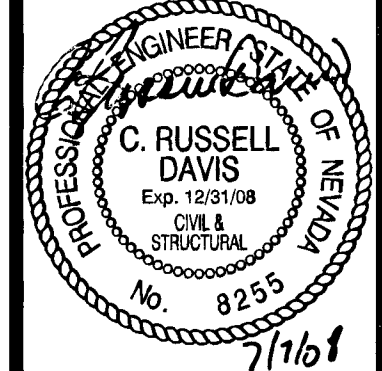


CAP THREADING PLAN

Thursday, July 03, 2008 8:01:02 AM

114605

PUBLIC WORKS DEPARTMENT		CITY OF LAS VEGAS, NV	
400 E. STEWART AVE. LAS VEGAS, NV 89101 702-228-4272		R&H ENGINEERING, INC. CONSULTING STRUCTURAL ENGINEERS 440 GERRARD DRIVE, SUITE 200 • LAS VEGAS, NEVADA • 89119 PHONE (702) 380-7000 • FAX (702) 380-7070	
DESIGNED BY: R. DAVIS	6/30/2008	CHECKED BY: R. DAVIS	6/30/2008
DRAWN BY: A. GRANT	6/30/2008	PROJECT NO.:	06037
HORSE DRIVE OVER US-95 PIER PLAN		SCALE: NONE HORIZ. NONE VERT.	
HORSE DRIVE / US 95 INTERCHANGE		SHEET B18 314 OF 433 SHEETS	
1-2896		DRAWING NO. 107V3759	



P:\06037\DWG\HORSEDRK_B18.DWG