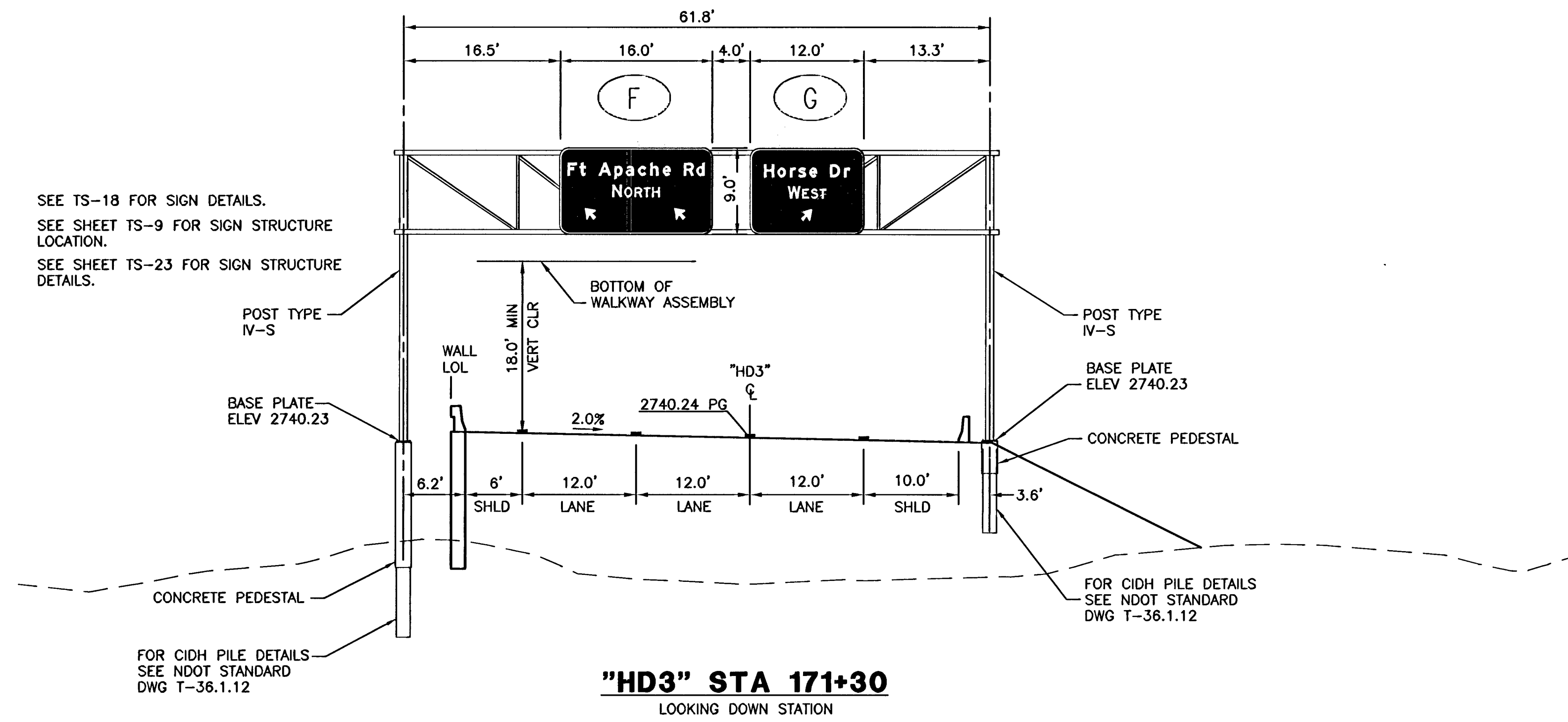
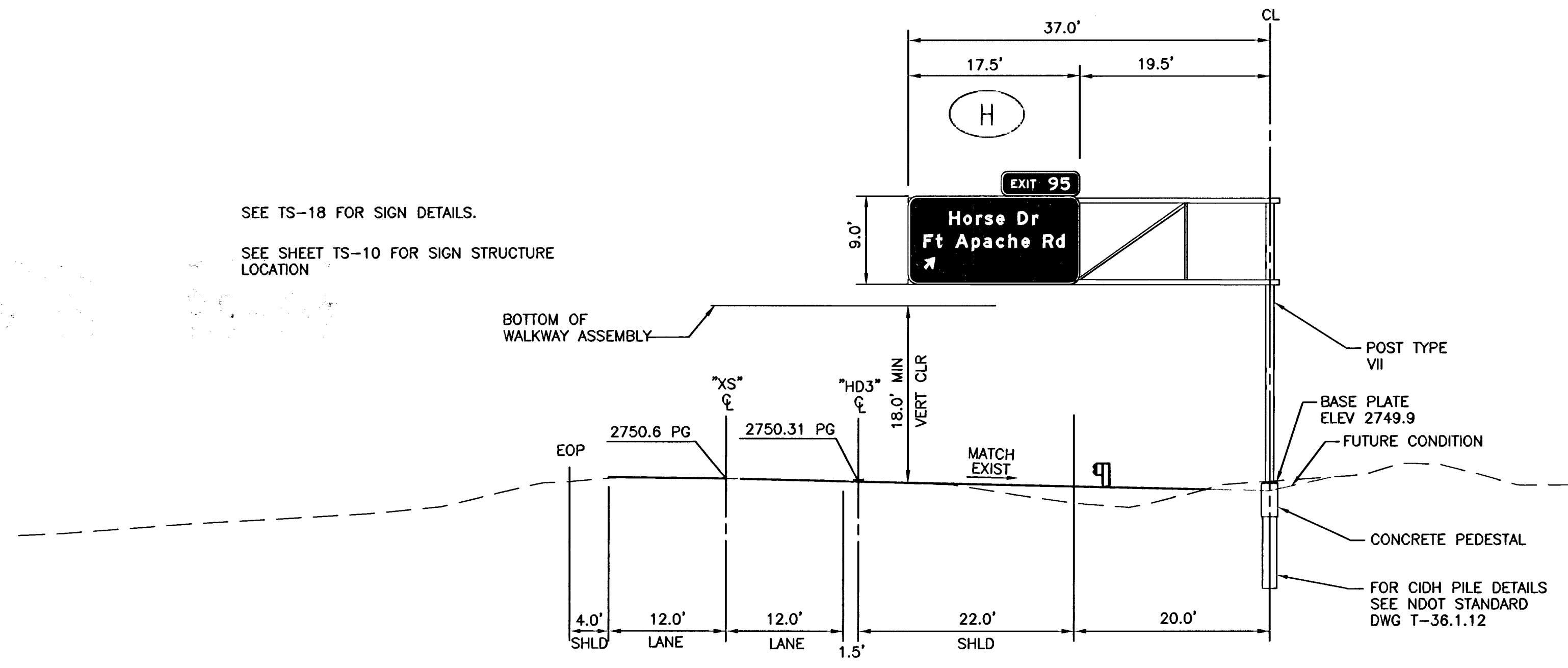


SEE TS-18 FOR SIGN DETAILS.  
SEE SHEET TS-9 FOR SIGN STRUCTURE LOCATION.  
SEE SHEET TS-23 FOR SIGN STRUCTURE DETAILS.



**"HD3" STA 171+30**  
LOOKING DOWN STATION

SEE TS-18 FOR SIGN DETAILS.  
SEE SHEET TS-10 FOR SIGN STRUCTURE LOCATION



**"HD3" STA 186+27**  
Looking Down Station

REV	DATE	BY	REVISION

**PUBLIC WORKS DEPARTMENT**  
CITY OF LAS VEGAS, NV  
400 E. STEWART AVE.  
LAS VEGAS, NV 89101  
702-229-8272

**Carter Burgess**  
Consultants in Planning, Engineering, and Program Services  
4848 Sam Houston Blvd  
Las Vegas, NV 89121  
702-735-4444

**SIGN STRUCTURES**  
**HORSE DRIVE / US 95 INTERCHANGE**

DRAWN BY: SP	07/03/2008
DESIGNED BY: GM	07/03/2008
CHECKED BY: LH	07/03/2008
PROJECT NO: 241767	SCALE: N/A
	HORIZ. N/A
	VERT. N/A

LEONARD G. HEUSTON  
PROFESSIONAL ENGINEER  
EXP. 6/30/09  
CIVIL  
No. 8991

7.22.08

SHEET  
**TS-22**  
OF 43 SHEETS  
DRAWING NO.  
**107V3769**

114578

SHEET\_SIGNING.DWG