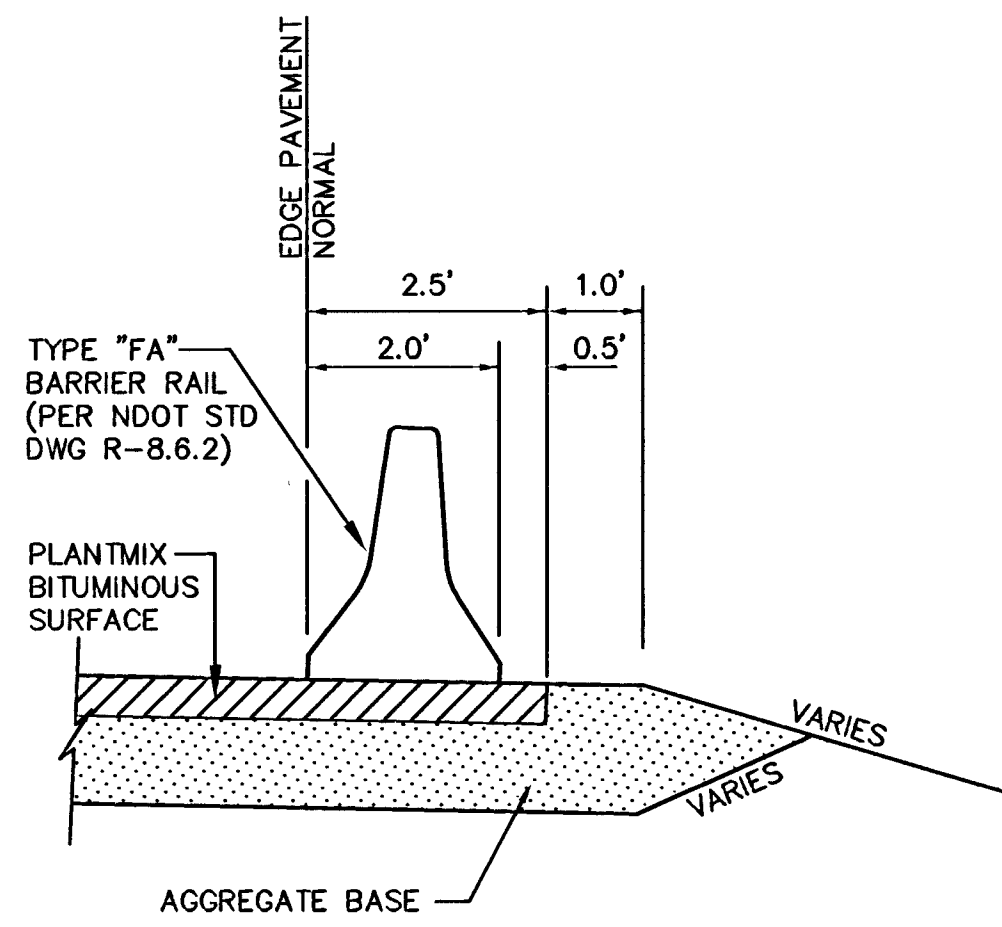
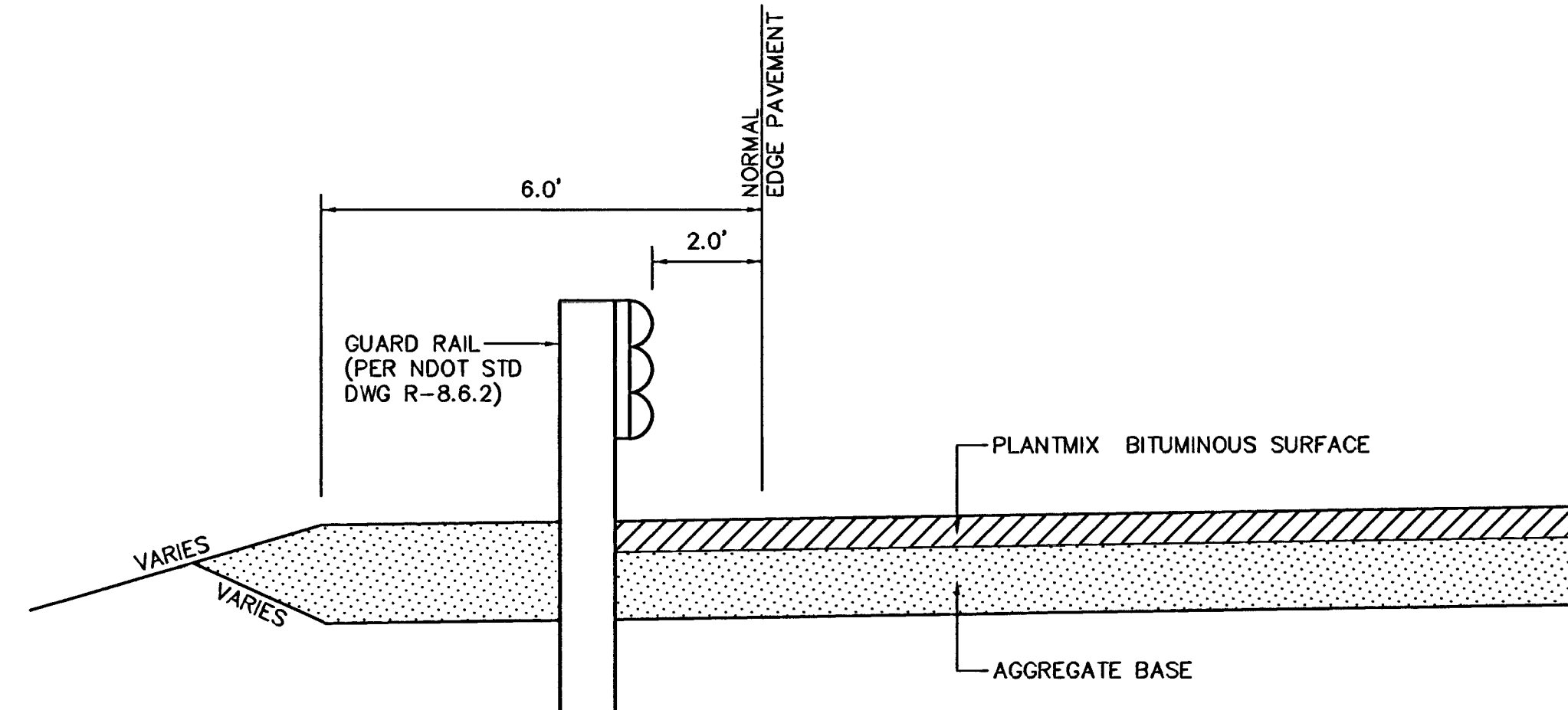


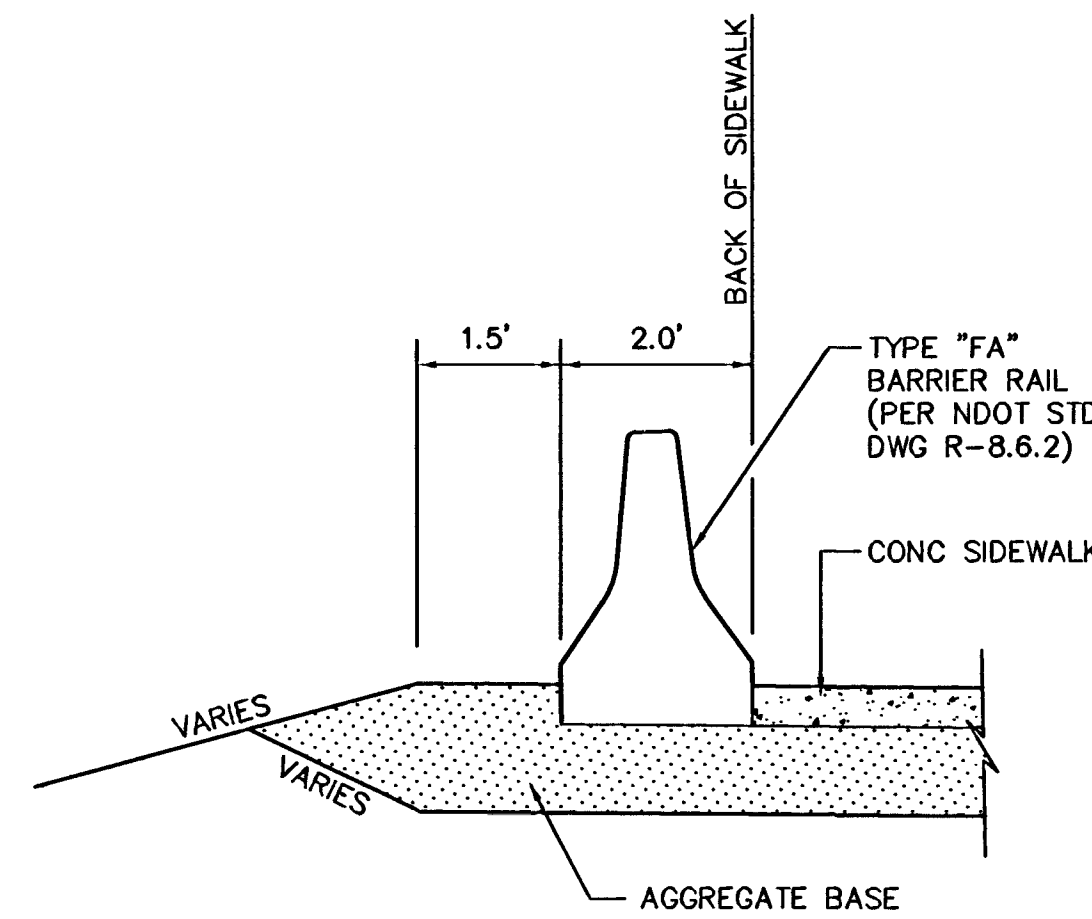
(A) DETAIL



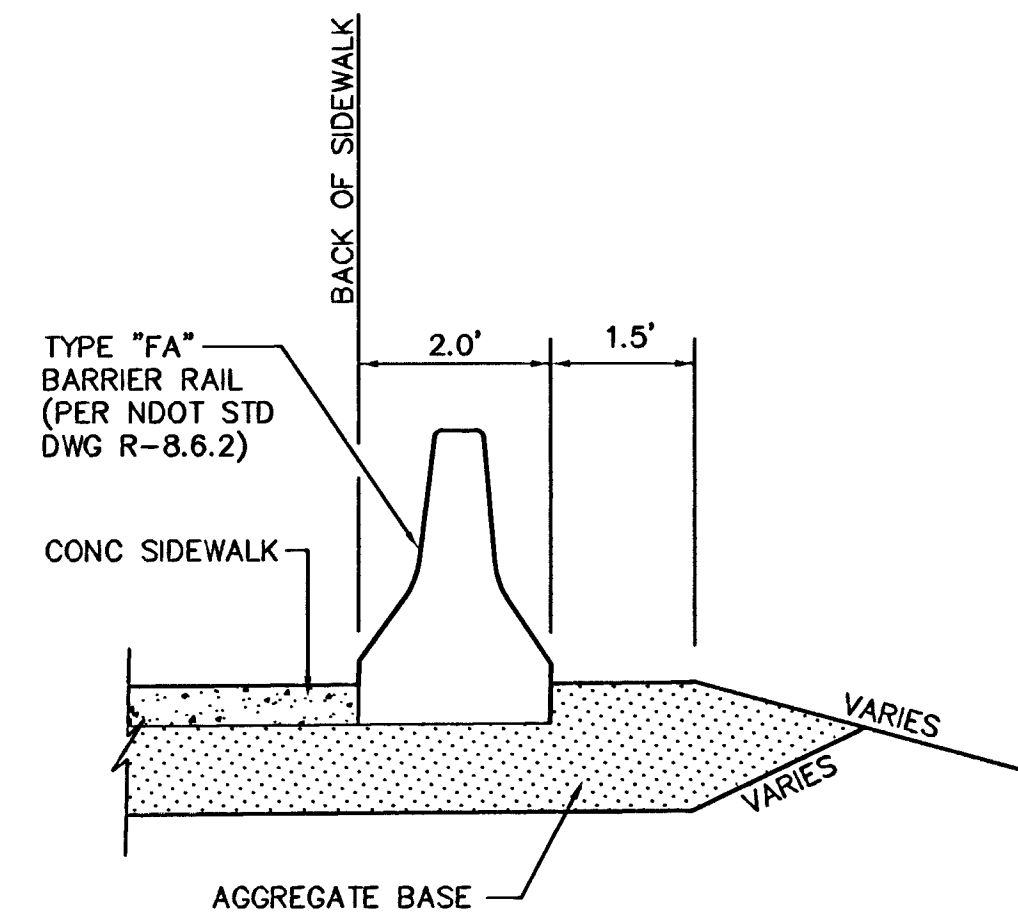
(B) DETAIL



(C) DETAIL



(D) DETAIL



(E) DETAIL

NO.	DATE	BY	REVISION

PUBLIC WORKS DEPARTMENT
 400 E. STEWART AVE.
 LAS VEGAS, NV 89101
 702-223-6272

CITY OF LAS VEGAS, NV
 277 SOUTH RAINBOW BOULEVARD LAS VEGAS, NEVADA 89146-5146
 PH: (702) 877-7500 FAX: (702) 362-2597
 nevada CONSULTING ENGINEERS & PLANNERS • LAS VEGAS, NV

**TYPICAL CROSS SECTIONS
 BARRIER RAIL & GUARD RAIL
 DETAILS**

**HORSE DRIVE / US 95
 INTERCHANGE**

DRAWN BY: DRF	06/20/2008
DESIGNED BY: LW	06/20/2008
CHECKED BY: KDC	06/20/2008
PROJECT NO: 6500	SCALE: NTS
	HORIZ. N/A
	VERT. N/A

PROFESSIONAL ENGINEER STATE OF NEVADA

KEN D. GILBRETH
 EXP. 06/30/08
 CIVIL

NO. 9177

10-45

SHEET
TYP8
 24 OF 453 SHEETS

DRAWING NO.
107V3759

AVOID OVERHEAD POWER LINE CONTACT
 IT'S COSTLY

Call before you Dig
 Avoid cutting underground utility lines. It's costly.

Call 811

1-702-227-2929
 NEVADA POWER ENVIRONMENT AND SAFETY SERVICES DEPARTMENT

1-800-227-2600
 OR CALL 24 HOURS 1-702-455-7544

114196

I:\6500\DWG\DESIGN\6500-D1-MISC-DETAILS.dwg