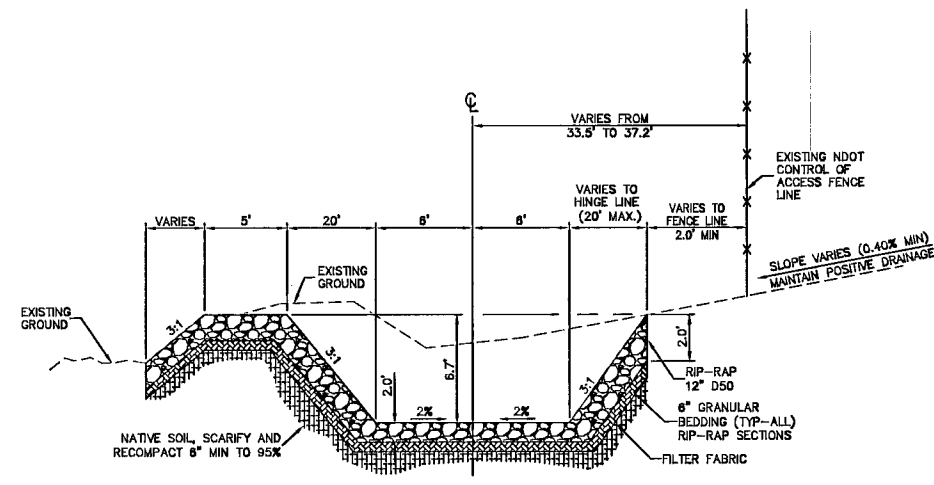
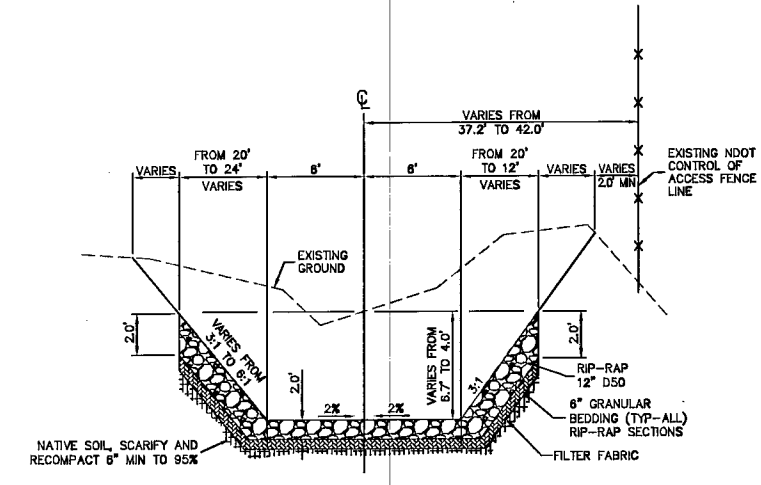


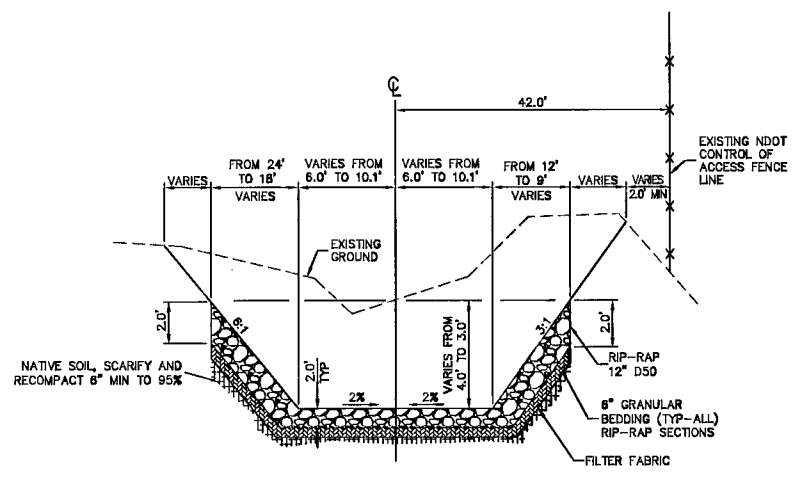
CN95 CHANNEL CROSS SECTION A
 CN95 STA 34+20.00 (INV=2644.99) TO STA 34+60.00
 ● 0.40% SLOPE



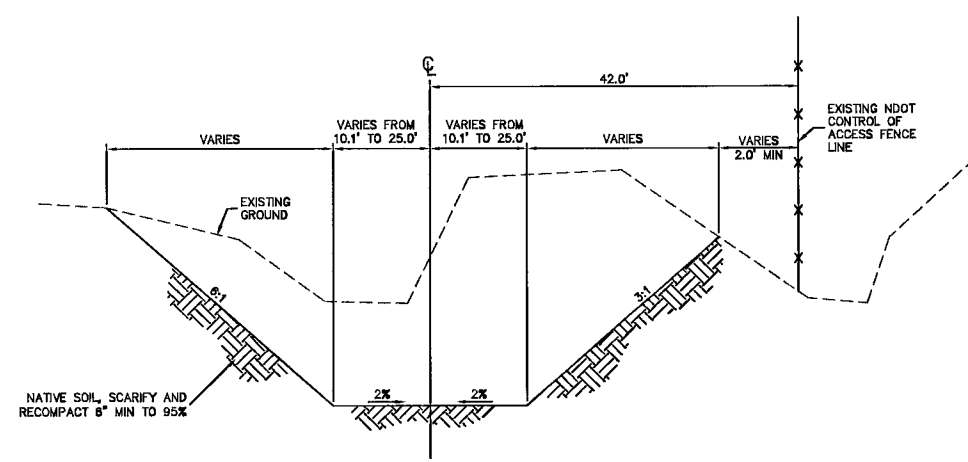
CN95 CHANNEL CROSS SECTION B
 CN95 STA 34+60.00 TO STA 34+90.00
 ● 0.40% SLOPE



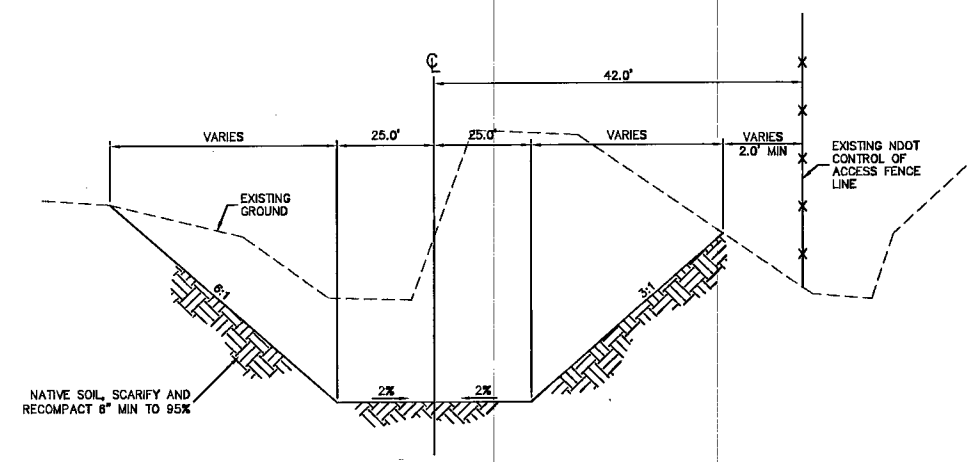
CN95 CHANNEL CROSS SECTION C
 CN95 STA 34+90.00 TO STA 35+30.00
 ● 0.40% SLOPE



CN95 CHANNEL CROSS SECTION D
 CN95 STA 35+30.00 TO STA 36+10.00
 ● 0.40% SLOPE



CN95 CHANNEL CROSS SECTION E
 CN95 STA 36+10.00 TO STA 39+00.00
 ● 0.40% SLOPE



CN95 CHANNEL CROSS SECTION F
 CN95 STA 39+00.00 TO STA GRADING LIMITS
 ● 2.00% SLOPE

G:\03188 - Grand Teton Drive\Civil\SD16.dwg 11/26/2008 2:18:59 PM

116954

USE CARE UNDERGROUND UTILITIES SERVICE, POTENTIAL DAMAGE TO POWER LINES, IT'S COMMON. Call before you Dig. Call before you Underhead. Call before you Overhead.

1-800-4-A-ROOT 1-800-227-2829 1-800-227-2600
 1-702-432-7511 1-702-227-2829 1-702-432-7544
 1-702-432-7511 1-702-227-2829 1-702-432-7544

REVISIONS		NO.	DATE:	DESCRIPTION
DEPARTMENT OF PUBLIC WORKS 400 EAST STEWART LAS VEGAS, NEVADA 89101 poggemeyer <i>design group, inc.</i> <small>8850 Saddle Branch Road, Suite 100 - Las Vegas, NV 89123 - (702) 238-6276</small>				
TITLE: GRAND TETON DRIVE STORM DRAIN		SHEET: CN95 CHANNEL CROSS SECTIONS		
DRAWN BY: AP/BMR	11/20/08	DESIGNED BY: JSJ/JLW	11/20/08	CHECKED BY: JMC
PROJECT NO: 03188-C	SCALE: N/A	HORIZ TEXT		
Sheet SD-16 23 of 30 DRAWING NO. 107V3757 HTE NO. 22726				