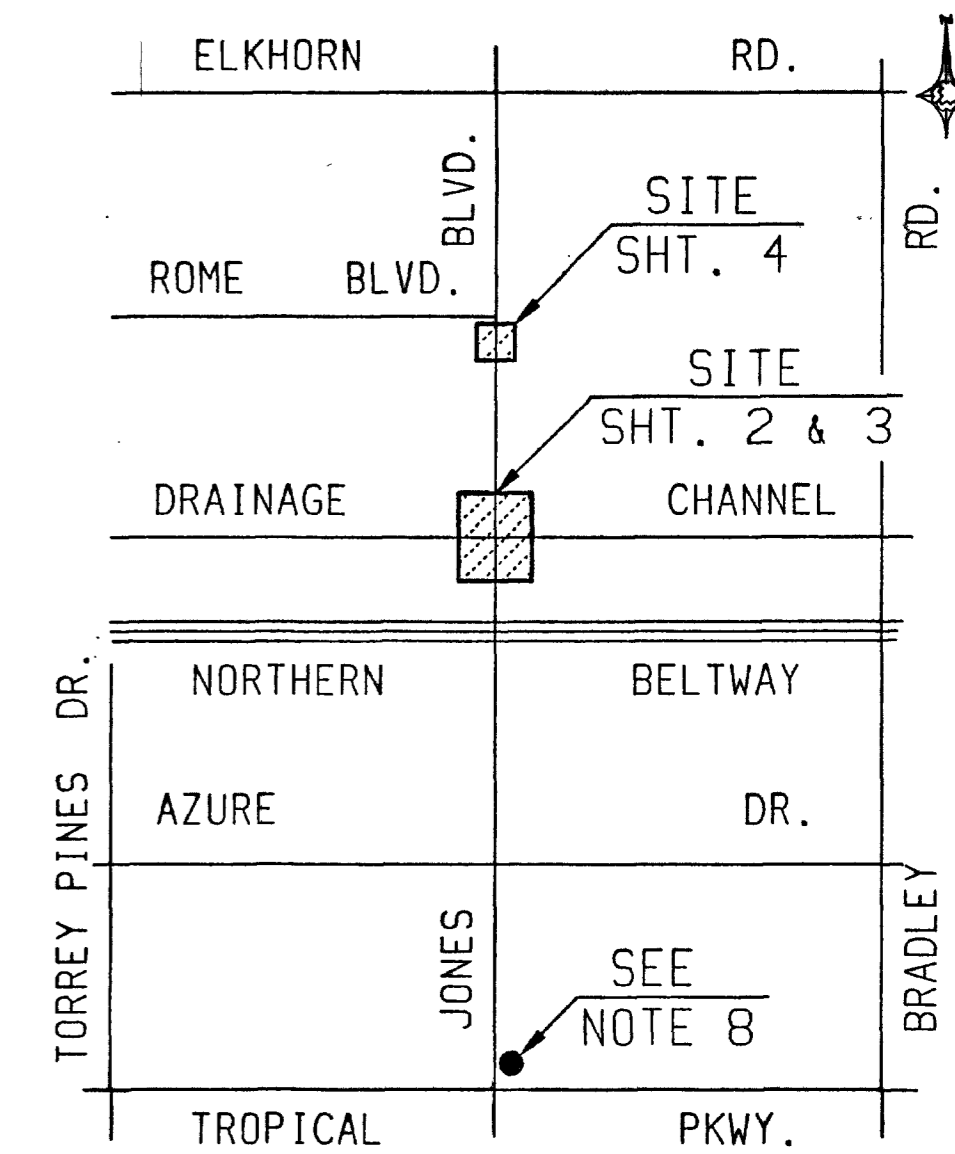


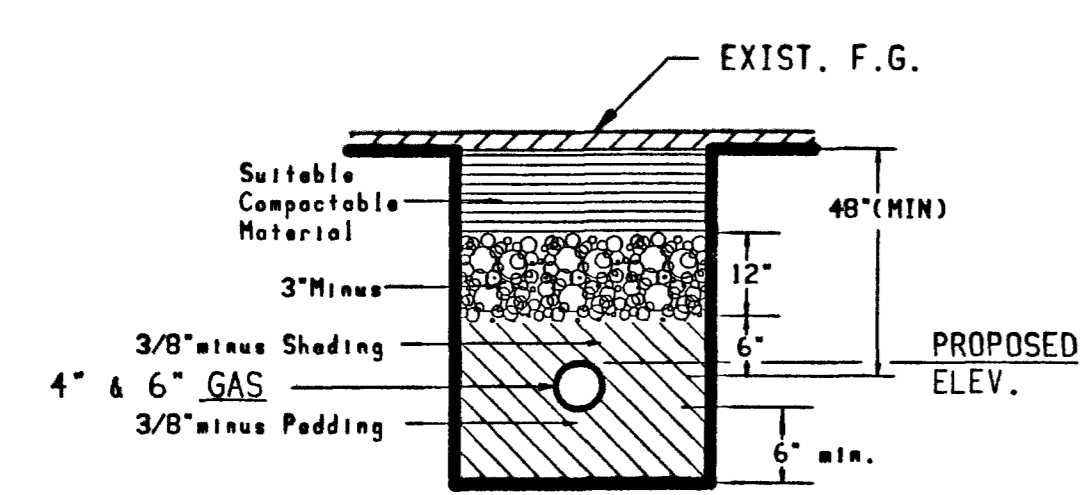
CONSTRUCTION NOTES:

- (Not used).
- All pipeline construction shall conform to applicable jurisdiction specifications.
- Do not scale this drawing.
- Engineering must approve any field changes. Contact Bob Middag at 365-2071, or Joel Martell at 365-2102.
- All welds shall be 100% X-rayed and documented on as-built drawing.
- An intermediate leak test must be performed prior to strength testing. The pressure for the test may range from 100 PSIG TO 500 PSIG.
- Test newly installed components and existing drop section together with new 6" STL for an MAOP of 720 PSIG at Drainage Channel.
- Regulator Station #062-1-DR Jones and Tropical will be out of service during this time. Close 2" CVT inlet valve #062-1-2C-300 prior to taking 6" line out of service.
- Permanent patch required in Jones Blvd. No slurry backfill required at Rome Blvd due to pending CLV Street Improvement Project.
- Purge DE-Gas and RE-Gas procedures included in WR package.
- All shoring requirements shall conform to applicable portions of SWG operations manual.
- Install 2 Terminal Test Station (with concrete collar). Construction shall contact Technical Services at 365-2391, 24 hours in advance for notification. Do same for inspection of steel main/wrap. Repair to satisfaction of Tech Services. See detail "C".
- Install 32lb anode and 2 Terminal Test Station per Note 12.
- Estimated gas loss during de-gas purge is 5.893 cf.
- Construction shall review As-Built drawings for 4" STL (WR 0008338685) and 6" STL (WR 9911255886) on same drawing for details on drop section tie-ins. Field locate and consult Engineering if question.
- Work on 4" STL Distribution (WR 0308674044) and 6" STL High Pressure (WR 0307668726) mains shall be done concurrently at Drainage Channel joint trench. Costs for 4" STL to be charged to WR 0308674044.
- Work on 4" PE Distribution (WR 0308676649) and 6" STL High Pressure (WR 0307668726) mains shall be done concurrently with section at Rome Blvd in joint trench. Costs for 4" PE to be charged to WR 0308676649.

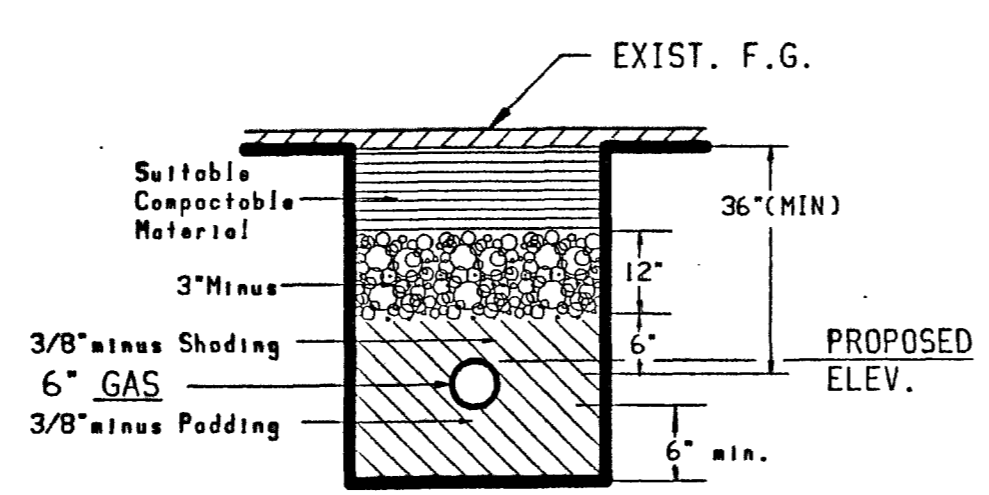
MATERIAL LIST			
ITEM #	QTY.	DESCRIPTION	STOCK #
1	82'	PIPE, STEEL, COATED, ERW, 6-5/8" OD, .280" W.T., GRD X-46, DRL	100-0127
2	1	LINE STOPPER FITTING, WELD, 6", THIN WALL, 720 PSIG	160-7932
3	6	ELBOW, 6", 90 DEGREE, STEEL, WELD, STD WALL, GRD Y-52, PREQUALIFIED	140-4490
4	4	CAP, 6", STEEL WELD, STD WALL, GRD Y-52, PREQUALIFIED, Y-52 (FOR PRESSURE TESTING ONLY)	140-3050
5	3	NIPPLE, ABANDON, STL CAP, 2" X 3", 1440 PSIG	160-6852
6	35'	PIPE, STL, COATED, ELECTRIC RESISTANCE WELD (ERW), 4-1/2" O.D. X 0.188" W.T., API 5L, GRADE X-42, ENDS BEVELED FOR WELDING, DOUBLE RANDOM LENGTH	100-1292
7	2	CAP, STL, WELD, 4", STD, W.T., GRADE B, 49 CFR 192.149 PREQUALIFIED, ANSI B-16.9.	140-3309
8	1	ELBOW, STL, WELD, 4", 90 LONG RADIUS, STD, W.T., GRADE B, 49 CFR PREQUALIFIED, ANSI B-16.9.	140-4057
9	2	TEE, 3-WAY, 4", STL WELD, COMPLETE W/ COVER FLANGE WITH GASKET, BOLTS AND PLASTIC CAP LUGS, COMPLETION PLUG, O-RING AND TEE, ANSI 150, 275 PSIG NO BEVEL	160-8030



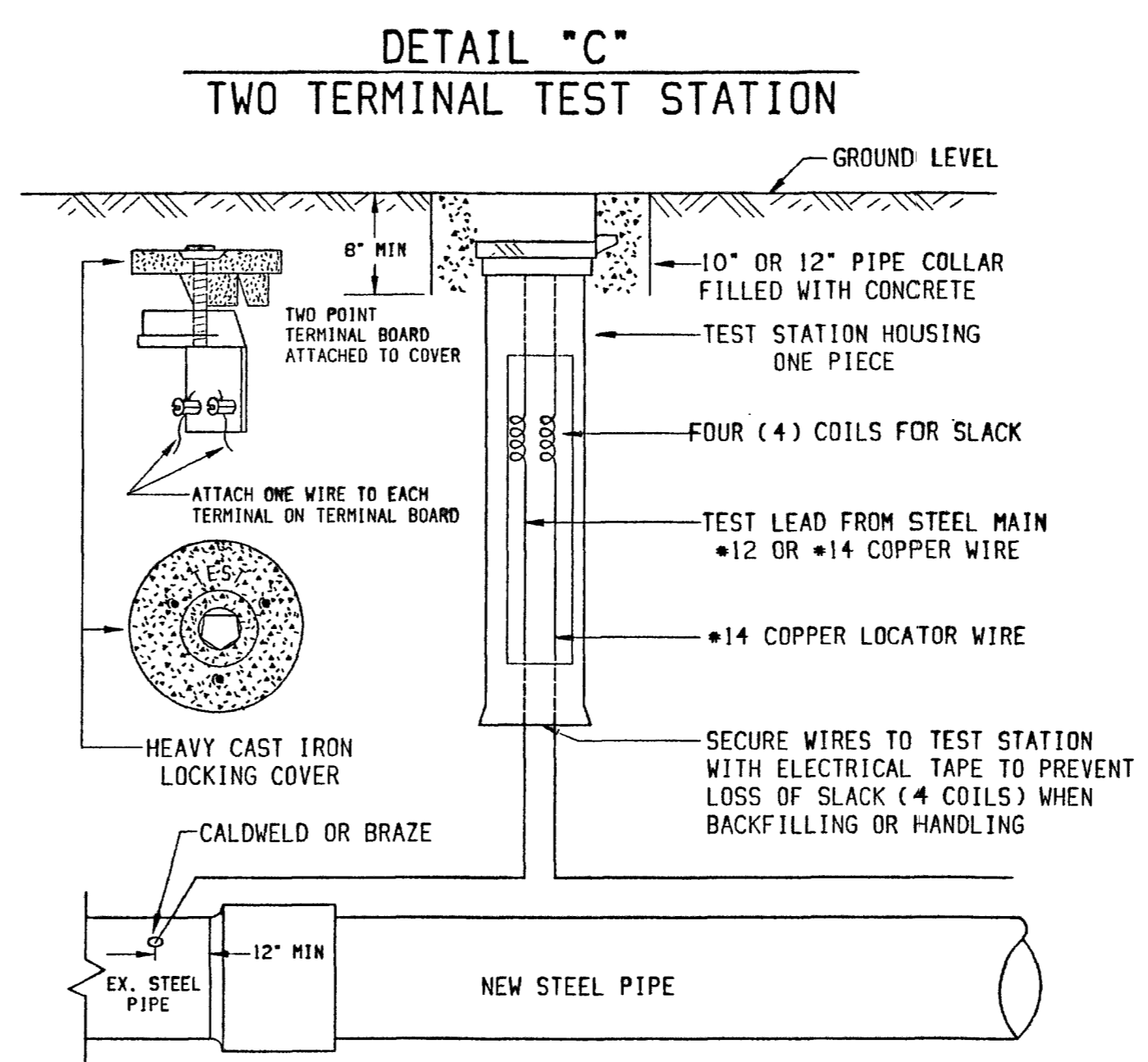
VICINITY MAP NTS



CLV TRENCH DETAIL "A" FOR UNIMPROVED AREAS ONLY



CLV TRENCH DETAIL "B" FOR IMPROVED AREAS ONLY



STOCK NUMBER	DESCRIPTION
•251-2404	CP TEST STATION, CAST IRON LOCKING COVER, 2 TERMINALS
•750-9375	WRENCH FOR USE ON COVER

Purge Plan was completed in accordance with the Operations Manual Guidelines by:

Name _____ Date _____

Total footage located in Public RoW 117' +/-

APPROVALS:
M.A. Snow 9/17/03
 CITY OF LAS VEGAS DATE

LEGEND

- Proposed gas main
- Existing gas main
- - - - Right of way
- Edge of pavement
- City/County Boundary

CALL BEFORE YOU DIG
 CAN YOU DIG IT!
 1-800-227-2600
 (48Hrs. Advance Notice Required)

3670206 6" STL 82' +/- 41' +/- 3670204 4" STL 35' +/- 34' +/-		AS-BUILT DRAWING-PRESSURE TEST DATA PIPE DIA. _____ TEST MEDIUM _____ TEST METHOD _____ PIPE LENGTH _____ <input type="checkbox"/> AIR <input type="checkbox"/> GAUGE PIPE TYPE _____ <input type="checkbox"/> NITROGEN <input type="checkbox"/> CHART MIN. DURATION _____ <input type="checkbox"/> WATER GAUGE/ <input type="checkbox"/> SOAP PRESS REC SN#		VISUAL INSPECTION CERTIFICATION I HAVE VISUALLY INSPECTED ALL HEATED FUSIONS, SOLVENT CEMENT, MECHANICAL JOINTS, AND WELDS THAT I HAVE PERFORMED. NAME _____ DATE _____		CONSTRUCTION INSPECTOR _____ FOREMAN _____ REVIEWED BY _____		ISOLATION AREA 300-47 / 96 LOCATION _____		W. R. NO. 0307668726 (6" STL) 0308674044 (4" STL) ATLAS *TILE* x606y554 x606y556		ENGINEER/TECHNICIAN ROBERT MIDDAG PHONE 365-2071 ACCOUNT REP. PHONE PROJECT CONTACT BRAD ROCKWELL 702-804-2179 SHEET NO. 1 OF 4 SCALE 1" = 40' DATE 8/15/03 DWN. BY ROWENA CHKD. BY APPVD. BY	
UNIT NO. UNIT TYPE INSTL. RET. INSTL. RET. PROPOSED COMPLETED		TEST PRES. (PSIG) START END TIME _____ DATE _____ PERFORMED BY _____		AS-BUILTS ACCEPTED BY _____ DATE _____ POSTED BY _____ DATE _____ POSTING QC'D BY _____ DATE _____		PERMIT INFORMATION Tax Code Area-02-0200 CITY OF LAS VEGAS		TITLE F-CLV-JONES BLVD IMPROVEMENT, 4" STL & 6" STL RELO N. JONES BLVD. AT N BELTWAY DRAINAGE & ROME BLVD. 107V3677-SWG FILENAME: 21_0307668726					



107V3677-SWG