

Memorandum

Department of Public Works
City Engineer Division
Survey Section
333 North Rancho Dr., 8th Floor
Las Vegas, Nevada 89106
Phone (702) 229-6217
Fax (702) 804-8582

To: Michael Cunningham, Manager
Building and Safety Department

From: Alan R. Riecki, PLS
City Surveyor

C: Lance M. West, PLS
Wallace Morris Kline

Oh-Sang Kwon, P.E., Engineering Project Manager
Flood Control Section

Date: January 29, 2019

Re: Storm Drain Final Location Map
DELANO PHASE 1 (SUMMERLIN VILLAGE 23B PARCEL R-S)
(Drawing No. 107Y4995-1, L-Civil No. 52924)

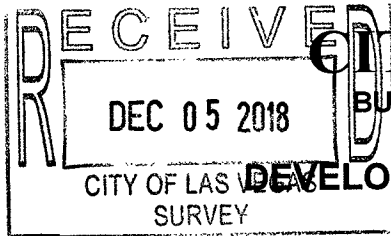
The Survey Section has reviewed the Final Location Map and as far as our jurisdiction of this project is concerned, we find that the map is:

Acceptable: January 28, 2019


Signature

City Surveyor
Title

Public Works/Survey
Department/Division



CITY OF LAS VEGAS
BUILDING AND SAFETY DEPARTMENT

OFFSITE INSPECTION & TESTING
333 NORTH RANCHO DRIVE
LAS VEGAS, NV 89106
PHONE: (702) 229-6337
FAX: (702) 363-1051

DEVELOPER'S SUBMITTAL OF GPS COORDINATES

- Sewer
- Storm Drain
- Electronic Comma Delineated File
- Final Location Map (2)

NOTE: THE TOP PART OF THIS FORM MUST BE FILLED OUT IN ITS ENTIRETY

PROJECT NAME: DELANO PHASE 1 (SUMMERLIN VILLAGE 23B-PARCEL "RS") UNIT: N/A PHASE: 1
 PROJECT LOCATION: FOX HILL DRIVE & ALTA DRIVE
 CLV PLAN #: 107Y4995-2 CLV PROJECT # 52924 SHEET NO. (S): 2
 # OF MANHOLES 9 PUB. SEWER/STORM DRAIN LIN. FT. 1537 # OF PRIVATE LATERALS
 DEVELOPER: LENNAR PHONE: 702-821-4850 FAX:
 SURVEY CO.: WALLACE MORRIS KLINE PHONE: 702-212-3967 FAX: 702-212-3963
 CONTRACTOR: WESTERN STATES PHONE: 702-644-1117 FAX: 702-644-1227
 CONTRACTOR'S SUPERVISOR NAME: JOHN ALLRED MOBILE: 702-284-9847
 DATE OF REQUEST: 12/05/18

THIS SEWER HAS BEEN SURVEYED BY NEVADA LICENSED LAND SURVEYOR:

Company Name WALLACE MORRIS KLINE Surveyor Name LANCE WEST
 License # 18232 License exp. Date: 6/30/16

CITY USE ONLY

DATE SR. INSPECTOR RECEIVED: _____ SR. INSPECTOR INITIALS: _____
 DATE RECEIVED FROM SR. INSPECTOR AND SENT TO CITY SURVEYOR: _____
 ACCEPTABLE BY CITY SURVEYOR DATE: 1-28-19 NOT ACCEPTABLE BY CITY SURVEYOR DATE _____
 CLV SURVEYOR'S SIGNATURE: *Alan P. Miller* DATE: 1-28-19

THE CITY OF LAS VEGAS RECOMMENDS THAT ALL DEFICIENCIES NOTED ON THE ATTACHED SURVEY REPORT BE CORRECTED PRIOR TO THE FINAL ACCEPTANCE.

For Sanitary Sewer To Complete and Return to Offsite Inspection & Testing:

RECEIVED BY: _____
 (PLEASE PRINT)
 SIGNATURE: _____ DATE: _____

For Flood Control To Complete and Return to Offsite Inspection & Testing:

RECEIVED BY: _____
 (PLEASE PRINT)
 SIGNATURE: _____ DATE: _____



City of Las Vegas
Department of Public Works
Survey Section

REVIEW CHECKLIST
STORM DRAIN
FINAL LOCATION MAP

JOB NUMBER L-52924 SD2
PROJECT NAME DELANO PHASE 1 (SUMMERLIN VILLAGE 23B PARCEL R-S)
WORK AUTH. NO. P28000
SUBMITTED BY Wallace Morris Kline Surveying (Lance M. West)
PROJECT TYPE CIP Land Dev Street Rehab
DATE 1/28/19
REVIEWED BY D. SANTANA

REVIEW DETERMINATION

- Approved
- Not Acceptable

TO BE RE-SUBMITTED

- Two bond copies (no mylar)
- Electronic media with comma-separated coordinate file

REVIEW ITEM	OK	SEE R/L	N/A	COMMENTS
Submittal Contents				
Two bond copies (no mylar)	<input checked="" type="checkbox"/>	<input type="checkbox"/>	<input type="checkbox"/>	
Electronic media containing comma-separated coordinate file	<input checked="" type="checkbox"/>	<input type="checkbox"/>	<input type="checkbox"/>	
General Map Contents				
Sheet size 24" x 36"	<input type="checkbox"/>	<input type="checkbox"/>	<input type="checkbox"/>	
Sheet number and number of sheets	<input type="checkbox"/>	<input type="checkbox"/>	<input type="checkbox"/>	
North arrow (pointing up, left or right)	<input type="checkbox"/>	<input type="checkbox"/>	<input type="checkbox"/>	
Scale (written & graphic, correctly shown, appropriate scale used)	<input type="checkbox"/>	<input type="checkbox"/>	<input type="checkbox"/>	
Lettering legibility (minimum text size 0.08")	<input type="checkbox"/>	<input type="checkbox"/>	<input type="checkbox"/>	
Map title shown ("Storm Drain Final Location Map")	<input type="checkbox"/>	<input type="checkbox"/>	<input type="checkbox"/>	
CLV project name shown	<input type="checkbox"/>	<input type="checkbox"/>	<input type="checkbox"/>	
CLV Hansen No. shown	<input type="checkbox"/>	<input type="checkbox"/>	<input type="checkbox"/>	
CLV Drawing No. shown	<input checked="" type="checkbox"/>	<input type="checkbox"/>	<input type="checkbox"/>	
Preparer's company name and contact information shown	<input type="checkbox"/>	<input type="checkbox"/>	<input type="checkbox"/>	
Legend (all linetypes and symbols defined)	<input type="checkbox"/>	<input type="checkbox"/>	<input type="checkbox"/>	
Non-standard abbreviations defined	<input type="checkbox"/>	<input type="checkbox"/>	<input type="checkbox"/>	
Distances, coordinates and elevations labeled using decimal feet	<input type="checkbox"/>	<input type="checkbox"/>	<input type="checkbox"/>	
Approximate limits of streets shown (improvements or right-of-way)	<input type="checkbox"/>	<input type="checkbox"/>	<input type="checkbox"/>	
Street names labeled (identified as public or private)	<input checked="" type="checkbox"/>	<input type="checkbox"/>	<input type="checkbox"/>	

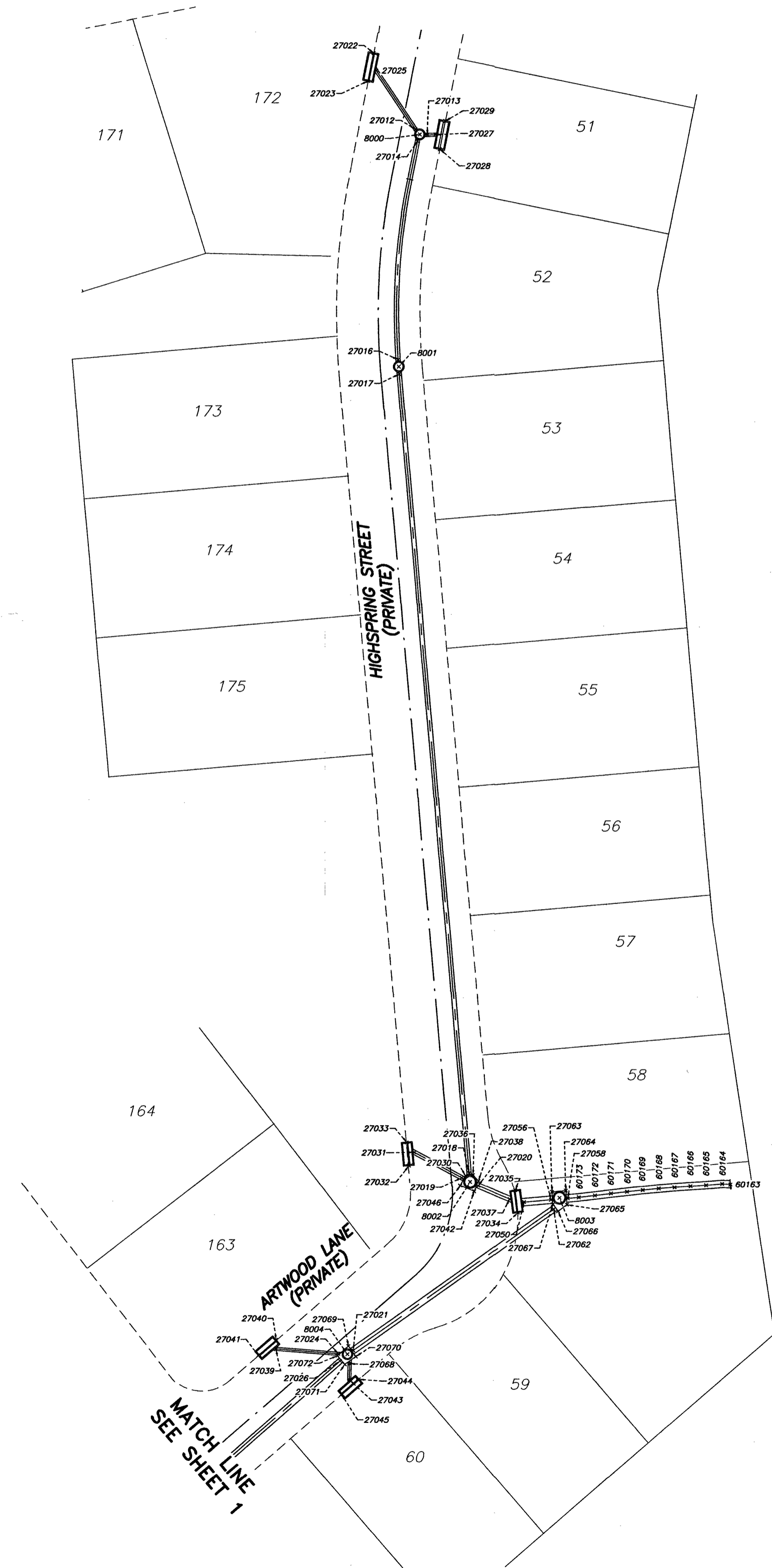
REVIEW CHECKLIST – STORM DRAIN FINAL LOCATION MAP

REVIEW ITEM	OK	SEE R/L	N/A	COMMENTS
Storm Drain Improvements Data				
*NOTE As of December 1, 2015 manhole cover locations are no longer required.				
Manhole Barrel/Base: (measured horizontally at centerline of barrel/base structure, vertical location does not apply)	<input checked="" type="checkbox"/>	<input type="checkbox"/>	<input type="checkbox"/>	
Drop Inlets (measured horizontally at back of curb at each outer extent of box, vertically at top of curb)	<input checked="" type="checkbox"/>	<input type="checkbox"/>	<input type="checkbox"/>	
Vaults and Junction Structures (measured horizontally at all outer extents of structure, vertically at top of structure)	<input checked="" type="checkbox"/>	<input type="checkbox"/>	<input type="checkbox"/>	
Pipes and RCB's: locate at all connections to other pipes and structures, all horizontal and vertical deflections, points of termination (stubs), point at which pipe/RCB exits the public right-of-way or easement (measured horizontally at centerline of pipe/RCB, vertically at top of pipe/RCB)	<input checked="" type="checkbox"/>	<input type="checkbox"/>	<input type="checkbox"/>	
*NOTE All pipe connections to manholes and other structures should be located at outside face of structure before backfilling due to accuracy limitations of pipe measurements from the structure's surface access point.				
Coordinate Information				
Data acquisition completion date indicated	<input checked="" type="checkbox"/>	<input type="checkbox"/>	<input type="checkbox"/>	
Coordinate system indicated (only CLV approved coordinate systems are to be used)	<input checked="" type="checkbox"/>	<input type="checkbox"/>	<input type="checkbox"/>	
Horizontal datum, datum adjustment, and epoch date indicated (only CLV approved datums are to be used)	<input checked="" type="checkbox"/>	<input type="checkbox"/>	<input type="checkbox"/>	
Benchmark ID, description, elevation indicated	<input checked="" type="checkbox"/>	<input type="checkbox"/>	<input type="checkbox"/>	
Statement of positional accuracy per the tolerances indicated below	<input checked="" type="checkbox"/>	<input type="checkbox"/>	<input type="checkbox"/>	
*NOTE For all projects with improvement plans approved prior to March 1, 2015 coordinates provided must be accurate to within ±0.5 feet horizontally and vertically. For all projects with improvement plans approved after March 1, 2015 coordinates provided must be accurate to within ±0.3 feet horizontally and vertically.				
Coordinate accuracy QA/QC (when available)	<input type="checkbox"/>	<input type="checkbox"/>	<input checked="" type="checkbox"/>	

ADDITIONAL COMMENTS

**STORM DRAIN FINAL LOCATION MAP FOR
DELANO PHASE 1
SUMMERLIN VILLAGE 23B-PARCEL RS
A COMMON INTEREST COMMUNITY**

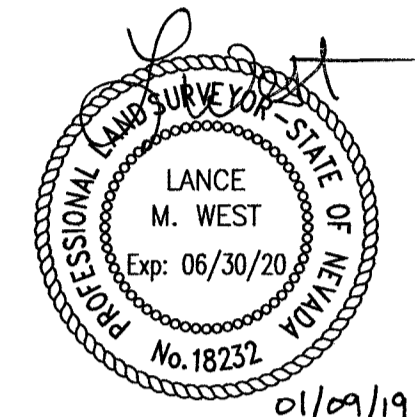
BEING A SUBDIVISION OF A PORTION OF PARCEL "R-S" OF "SUMMERLIN VILLAGE 23B UNIT 2" AS SHOWN BY MAP THEREOF IN BOOK 145, PAGE 83 OF PLATS IN THE CLARK COUNTY RECORDER'S OFFICE, NEVADA, LYING WITHIN SECTIONS 27 AND 34, TOWNSHIP 20 SOUTH, RANGE 59 EAST, M.D.M., CITY OF LAS VEGAS, CLARK COUNTY, NEVADA



SURVEYOR'S STATEMENT

- 1) SURVEY WAS COMPLETED ON JULY 27, 2018.
- 2) THE POSITIONAL CERTAINTY FOR THIS SURVEY IS 0.3' HORIZONTAL AND 0.3 VERTICAL BASED ON NAD83(2011), EPOCH 2010.00
- 3) THE POSITIONAL CERTAINTY STATED DOES NOT TAKE INTO ACCOUNT ANY MODIFICATIONS TO THE PIPE, MANHOLES OR LATERALS COMPLETED AFTER THE DATE OF SURVEY.

LANCE M. WEST
PROFESSIONAL LAND SURVEYOR
NEVADA LICENSE NO. 18232



BASIS OF BEARINGS

GRID NORTH AS DEFINED BY THE CENTRAL MERIDIAN OF THE NEVADA COORDINATE SYSTEM.
 ZONE: NEVADA EAST ZONE (2701)
 DATUM (REFERENCE FRAME): NAD 1983(2011), EPOCH 2010.00
 SYSTEM: NEVADA COORDINATE SYSTEM
 PROJECTION: TRANSVERSE MERCATOR
 ORIGIN LATITUDE: N34°45'00.00000"
 ORIGIN LONGITUDE: W115°35'00.00000"
 FALSE NORTHING: 26,246,666.667 FEET
 FALSE EASTING: 656,166.667 FEET

NOTES:

1. ALL DISTANCES AND BEARINGS SHOWN HEREON ARE PROJECTED (GRID) VALUES BASED ON THE PRECEDING PROJECTION DEFINITION.
2. GRID BEARING SHOWN HEREON (OR IMPLIED BY GRID COORDINATES) DO NOT EQUAL GEODETIC BEARING DUE TO MERIDIAN CONVERGENCE.

BENCHMARK

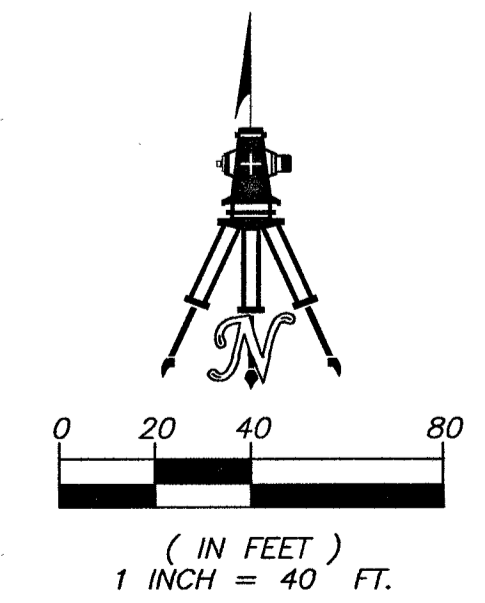
7LV0934SW6A - BEING A RIVET AND PLATE IN THE TOP OF CURB SOUTHEAST CORNER OF DESERT MOON ROAD AND DESERT SUNRISE ROAD
 3301.47 US SURVEY FEET
 1006.289 METERS
 N.A.V.D. 88 DATUM

NOTES

- 1) SEE ELECTRONIC TEXT FILE "DELANO-PHASE-1-SD-PNTS-SP.TXT" FOR COORDINATES.

LEGEND

---	RIGHT-OF-WAY LINE	CL BARREL	CENTER OF MANHOLE BARREL
---	STREET CENTERLINE	PIPE-TOP	SHOT TAKEN ON TOP OF PIPE
---	STORM DRAIN LINE	DI @ TBC	SHOT TAKEN @ EDGE OF DI @ TOP BACK OF CURB
x	POINT LOCATION		
23118	POINT NUMBER		
21	LOT NUMBER		



SHEET 2 OF 2

H# 52924
DWG# 107Y4995-1

**STORM DRAIN FINAL LOCATION MAP
DELANO PHASE 1
A COMMON INTEREST COMMUNITY**

BEING A SUBDIVISION OF A PORTION OF PARCEL "R-S" OF "SUMMERLIN VILLAGE 23B UNIT 2" AS SHOWN BY MAP THEREOF IN BOOK 145, PAGE 83 OF PLATS IN THE CLARK COUNTY RECORDER'S OFFICE, NEVADA, LYING WITHIN SECTIONS 27 AND 34, TOWNSHIP 20 SOUTH, RANGE 59 EAST, M.D.M., CITY OF LAS VEGAS, CLARK COUNTY, NEVADA.



**WALLACE · MORRIS · KLINE
SURVEYING, INC.
LAND SURVEY CONSULTING**
 5740 SOUTH ARVILLE STREET, #206
 LAS VEGAS, NEVADA 89118
 PH:702.212.3967 FX:702.212.3963