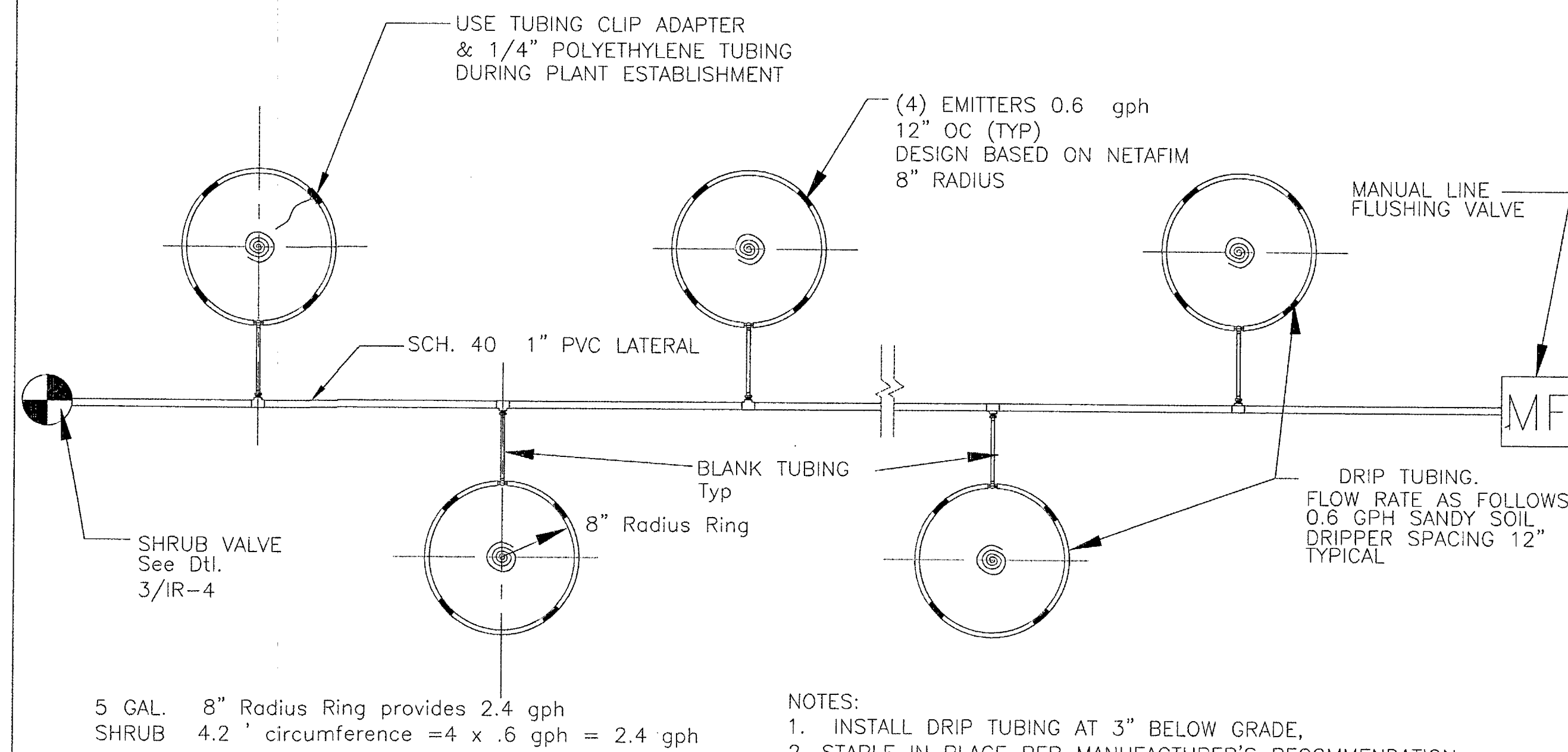
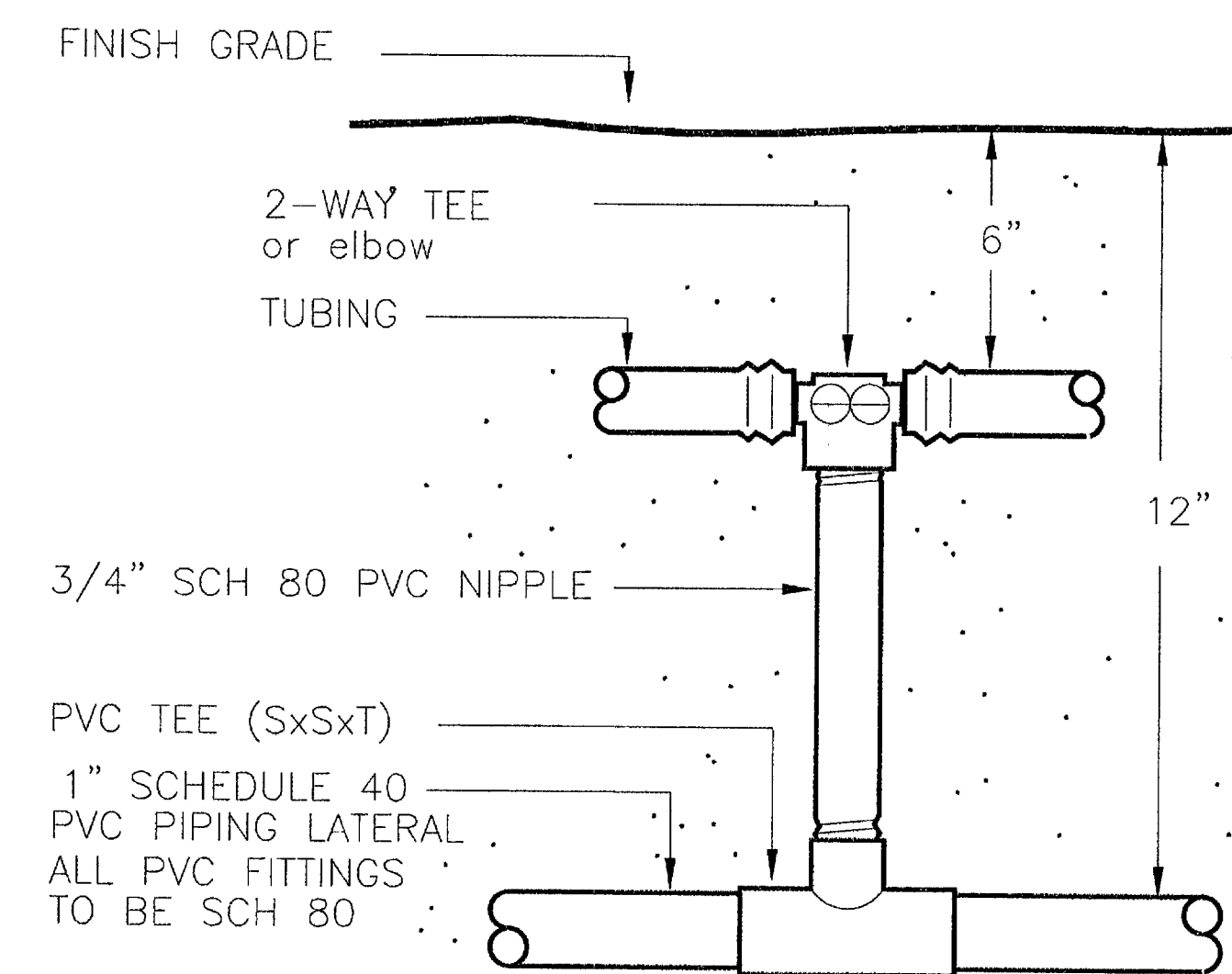


**1** INLINE DRIP  
DETAIL N.T.S.



**2** INLINE DRIP SHRUB RING  
DETAIL N.T.S.



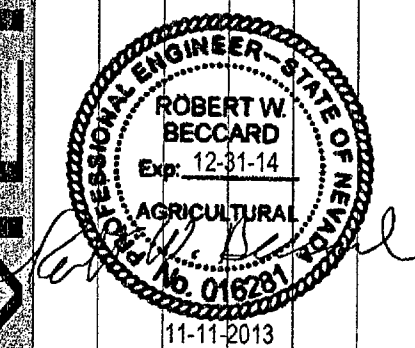
**3** INLINE DRIP CONNECTION  
DETAIL N.T.S.

- NOTES:
1. INSTALL DRIP TUBING AT 3" BELOW GRADE.
  2. STAPLE IN PLACE PER MANUFACTURER'S RECOMMENDATION, BACKFILL, AND SPREAD SURFACE TREATMENT PER LANDSCAPE DETAILS.
  3. INSTALL DRIP TUBING IN ACCORDANCE WITH NETAFIM INSTALLATION GUIDELINES.

File: O:\City of Las Vegas\Doolittle Park\Details\Pd-Doolittle.dwg printed by Ron Perez on 11/12/2013 10:48:22 AM using AutoCAD Version: 19.1s (LMS Tech)

REVISIONS	
CONSULTANT	
DATE	
DRAWN	
FILE	
DATE	
SCALE	
SHEET NO	38
SHEET NO	IR-6

Doolittle Park Renovation  
Phase I  
IRRIGATION DETAILS



OWNER: CITY OF LAS VEGAS  
DEPARTMENT OF PUBLIC WORKS  
ARCHITECTURAL SERVICES

400 EAST STEWART AVENUE  
LAS VEGAS, NEVADA 89101  
PHONE: (702) 229-5535  
FAX: (702) 386-5232  
TDD: (702) 386-9108

Avoid cutting underground utility lines. It's costly.  
**Call before you Dig**  
1-800-227-2600  
UNDERGROUND SERVICE ALERT (U.S.A.)

Avoid overhead power line contact.  
**Call before you OVERHEAD**  
1-702-593-6111  
NEVADA POWER ENVIRONMENT & SAFETY SERVICES DEPARTMENT

**Aqua Engineering Inc.**  
Innovative Water Solutions

375 E. Hornsboth Road, Building 2-002  
Fort Collins, CO 80525-3196  
970.229.9668 office  
970.229.3895 fax  
www.aquaengineering.com

**AS BUILT**  
CORE Construction