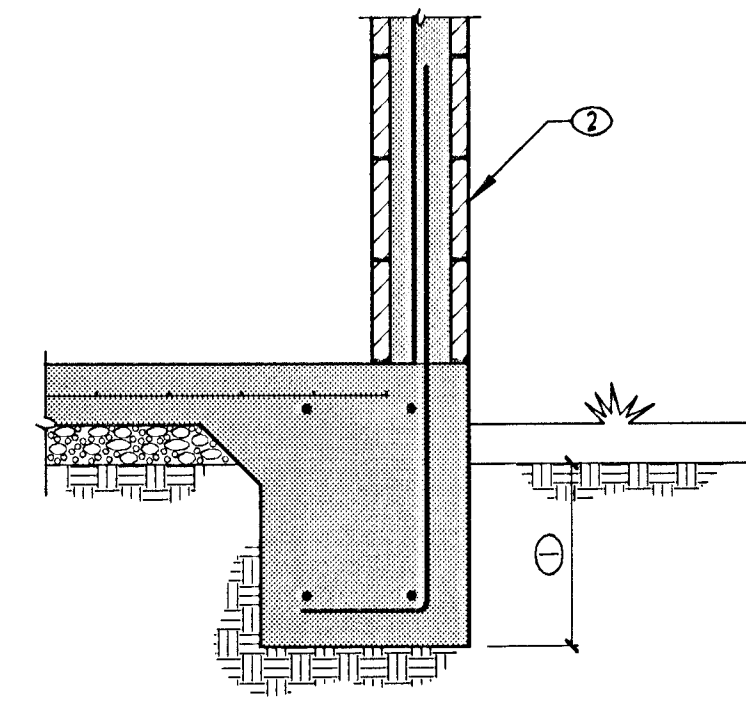


201 STEEL COLUMN AT MASONRY WALL
201-20234 NO SCALE

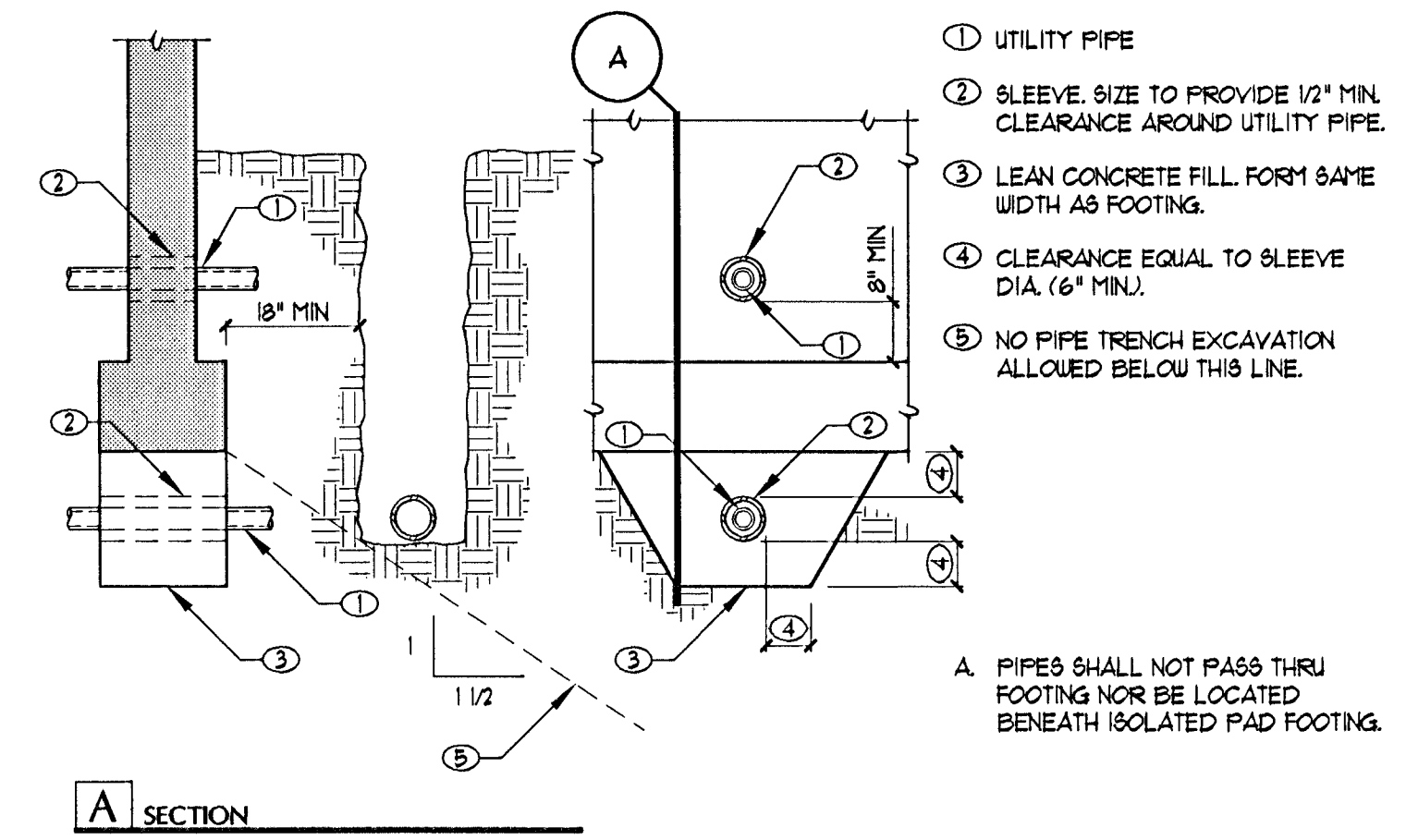
- 1 BASE PLATE PER DETAIL 204 W/ (2) 3/4" DIA EPOXY-ANCHORED THREADED RODS SET IN "SIMPSON SET-TIE EPOXY" ADHESIVE (OR EQUAL).
- 2 GRIND SMOOTH AT FLUSH SURFACES
- 3 STEEL ROOF DECK PER PLAN
- 4 FASCIA CHANNEL PER PLAN
- 5 L4x4x1/4x0'-6" CLIP EACH SIDE OF TUBE WITH (2) 3/4" DIA BOLTS THRU FASCIA CHANNEL

A. MASONRY WALL REINFORCING NOT SHOWN FOR CLARITY



104 MASONRY WALL AT FOOTING
104-102 NO SCALE

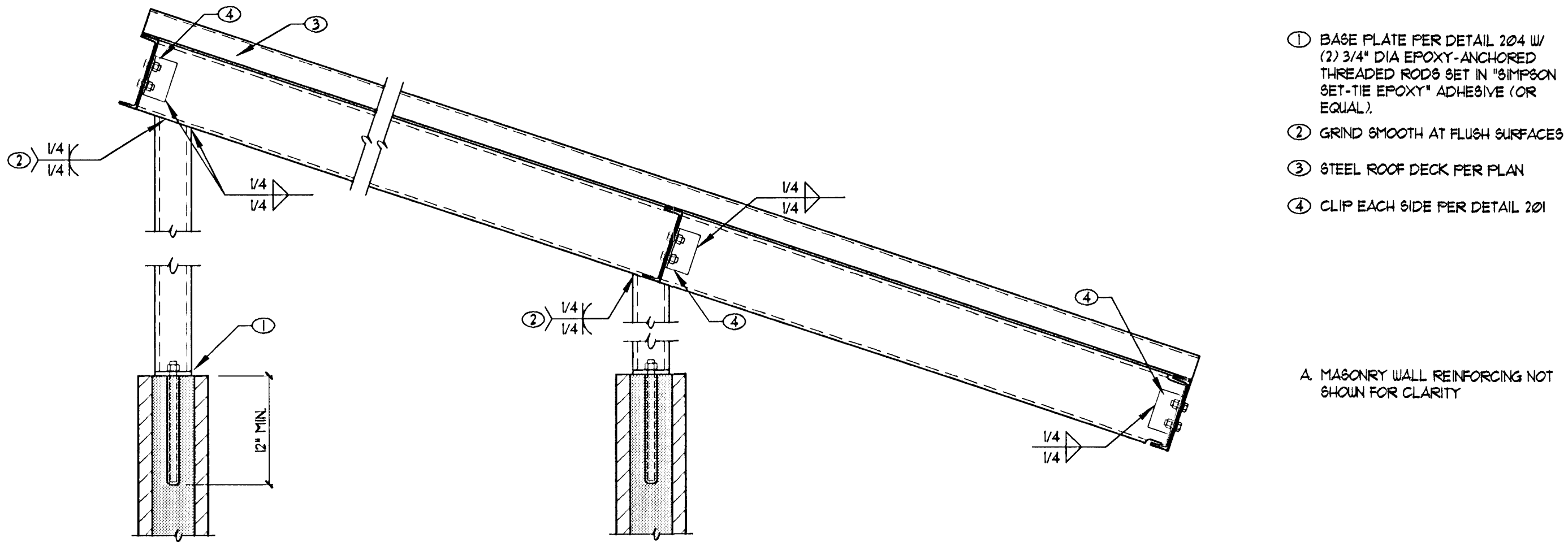
- 1 SEE PLAN OR G&N FOR MIN. EMBEDMENT
- 2 MASONRY WALL AND REINF. PER PLAN



101 TYPICAL UTILITY PIPES AT FOOTING
101-01 NO SCALE

- 1 UTILITY PIPE
- 2 SLEEVE, SIZE TO PROVIDE 1/2" MIN. CLEARANCE AROUND UTILITY PIPE.
- 3 LEAN CONCRETE FILL, FORM SAME WIDTH AS FOOTING.
- 4 CLEARANCE EQUAL TO SLEEVE DIA. (6" MIN.)
- 5 NO PIPE TRENCH EXCAVATION ALLOWED BELOW THIS LINE.

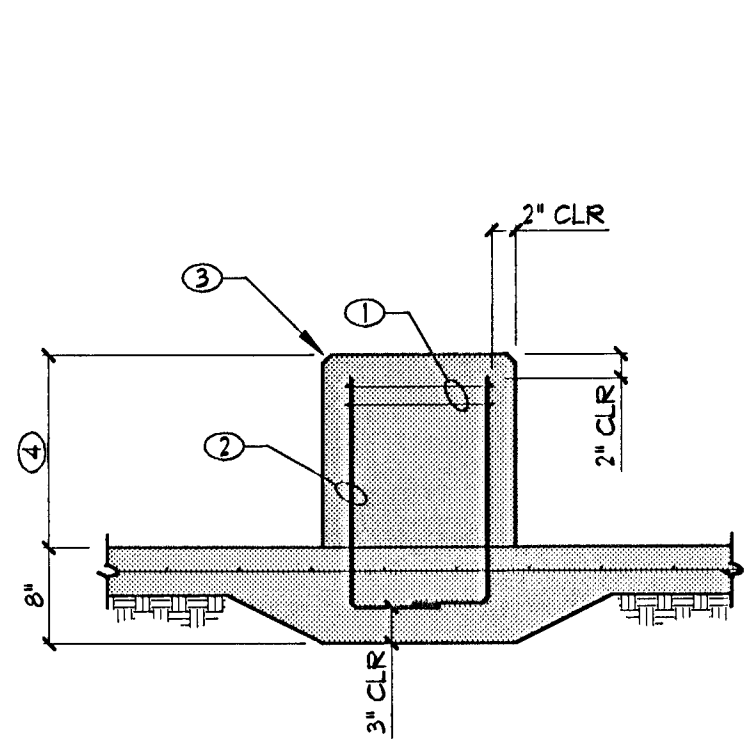
A. PIPES SHALL NOT PASS THRU FOOTING NOR BE LOCATED BENEATH ISOLATED PAD FOOTING.



202 STEEL COLUMN AT MASONRY WALL
202-20234 NO SCALE

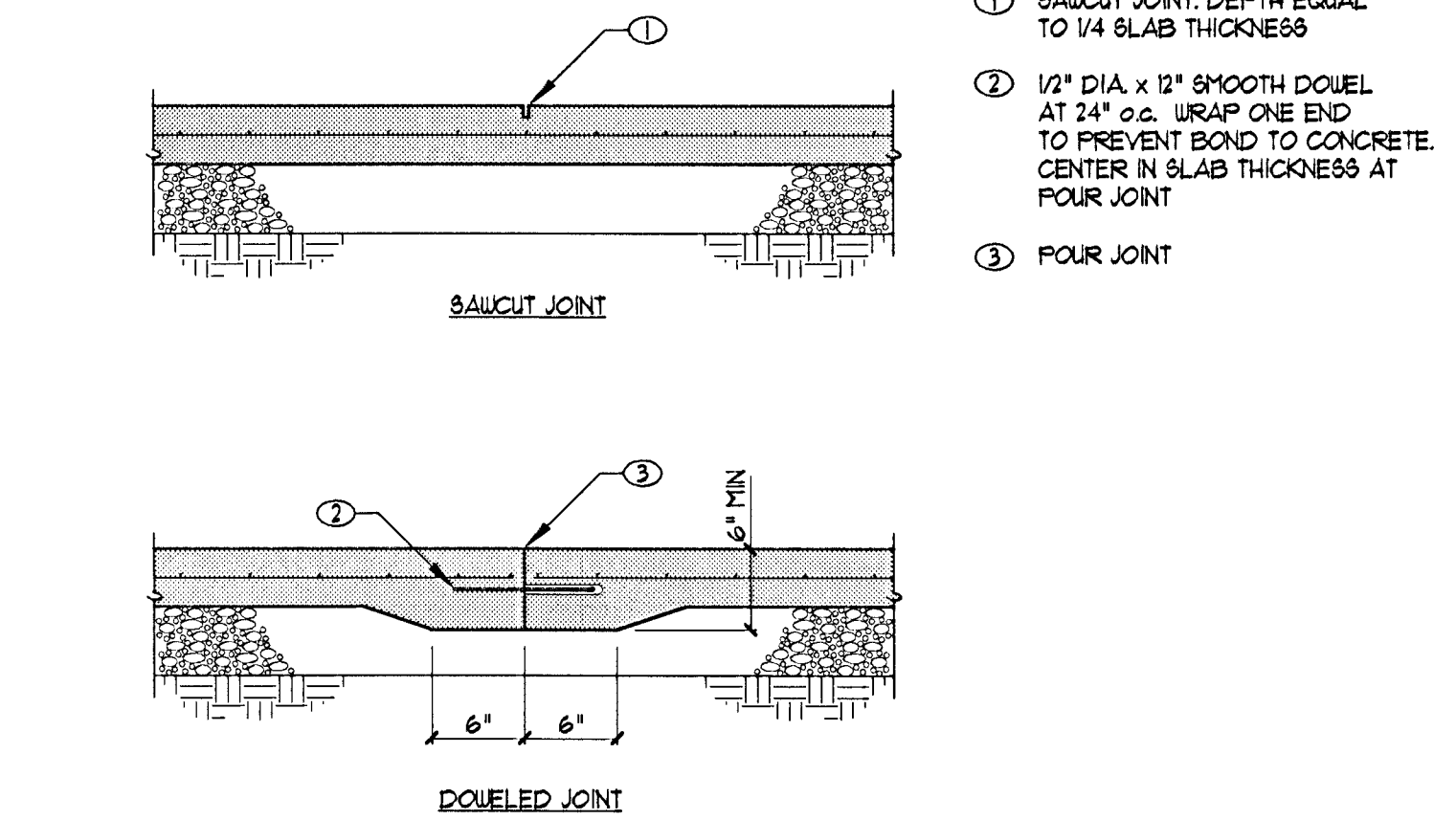
- 1 BASE PLATE PER DETAIL 204 W/ (2) 3/4" DIA EPOXY-ANCHORED THREADED RODS SET IN "SIMPSON SET-TIE EPOXY" ADHESIVE (OR EQUAL).
- 2 GRIND SMOOTH AT FLUSH SURFACES
- 3 STEEL ROOF DECK PER PLAN
- 4 CLIP EACH SIDE PER DETAIL 201

A. MASONRY WALL REINFORCING NOT SHOWN FOR CLARITY



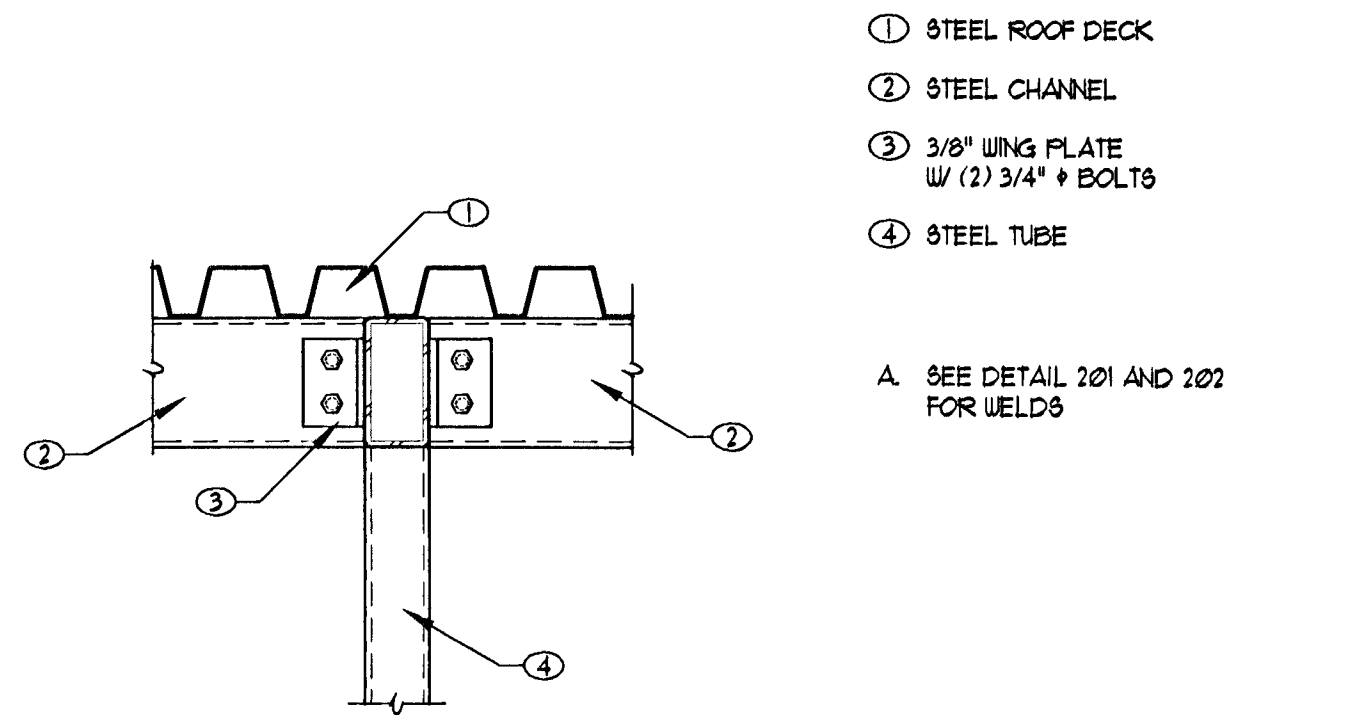
105 CONCRETE SEAT DETAIL
105-20234 NO SCALE

- 1 (2) #3 HOOPS AT TOP
- 2 #4 DOUCEL EACH CORNER
- 3 3/4" CHAMFER (TYP.)
- 4 SEE ARCH'L FOR SEAT HEIGHT



102 TYPICAL CONTROL JOINT IN SLAB ON GRADE
102-02 NO SCALE

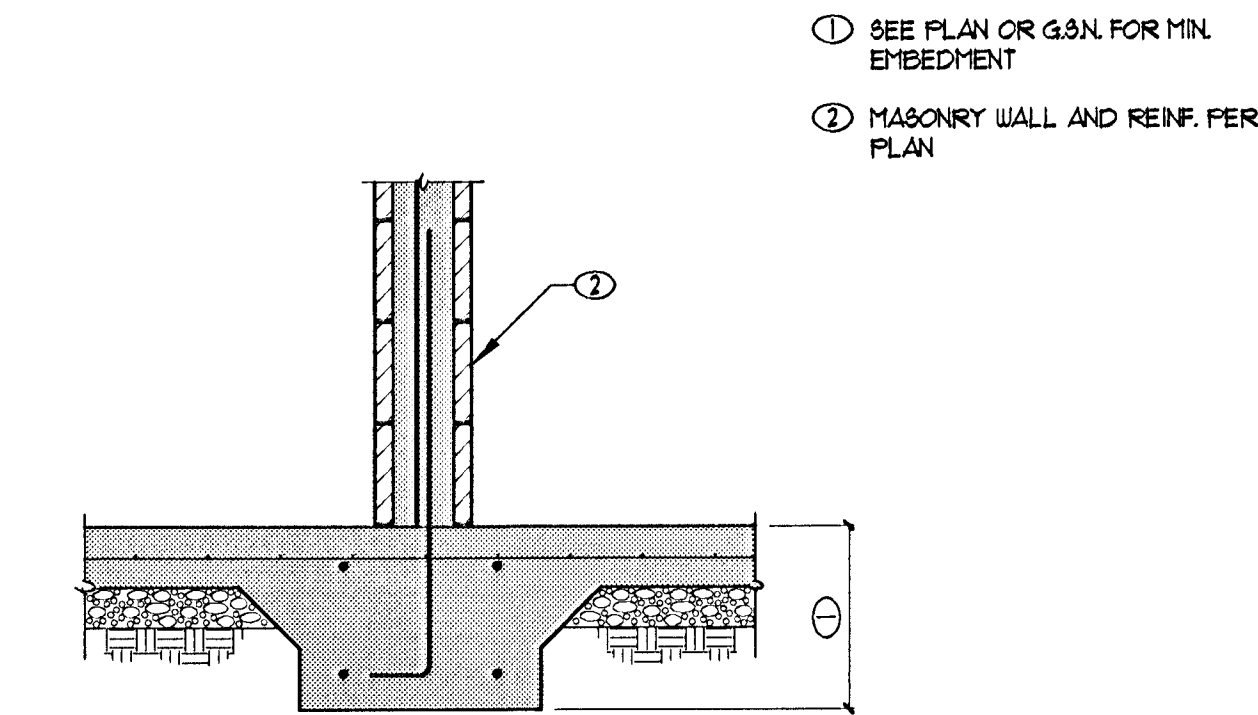
- 1 SAWCUT JOINT, DEPTH EQUAL TO 1/4 SLAB THICKNESS
- 2 1/2" DIA. x 12" SMOOTH DOUCEL AT 24" o.c. WRAP ONE END TO PREVENT BOND TO CONCRETE. CENTER IN SLAB THICKNESS AT FOUR JOINT
- 3 FOUR JOINT



203 CHANNEL AND TUBE AT COLUMN
203-20234 NO SCALE

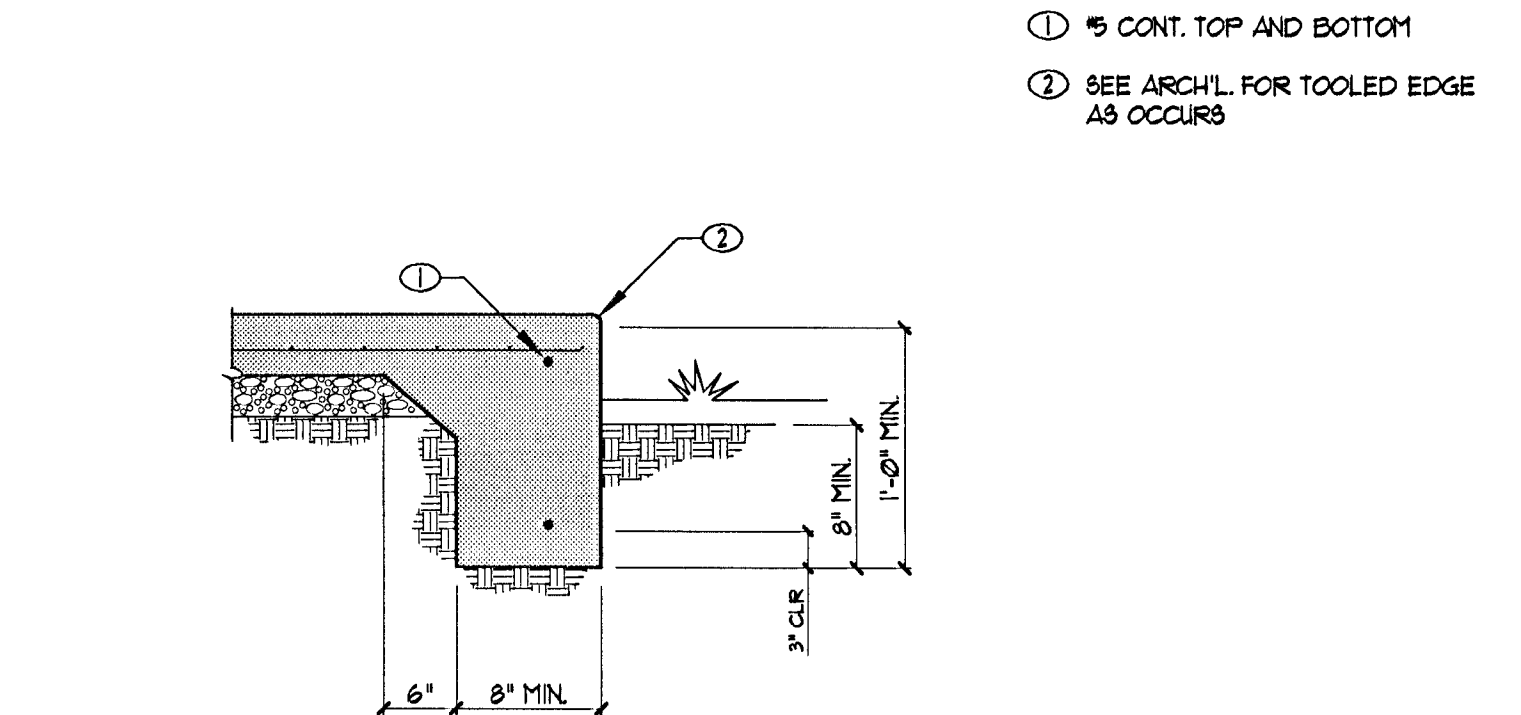
- 1 STEEL ROOF DECK
- 2 STEEL CHANNEL
- 3 3/8" WING PLATE W/ (2) 3/4" BOLTS
- 4 STEEL TUBE

A. SEE DETAIL 201 AND 202 FOR WELDS



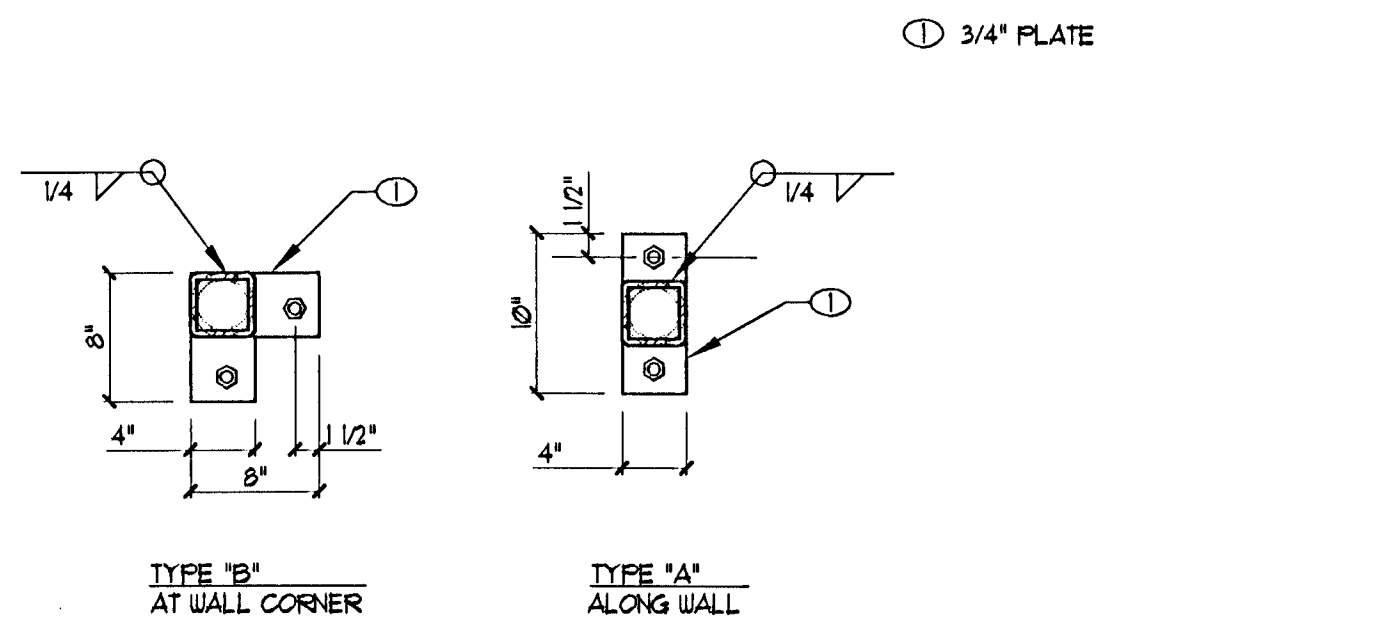
106 MASONRY WALL AT INTERIOR FOOTING
106-20234 NO SCALE

- 1 SEE PLAN OR G&N FOR MIN. EMBEDMENT
- 2 MASONRY WALL AND REINF. PER PLAN



103 TYPICAL TURNED DOWN EDGE
103-20234 NO SCALE

- 1 5 CONT. TOP AND BOTTOM
- 2 SEE ARCH'L FOR TOOLED EDGE AS OCCURS



204 TYPICAL COLUMN BASE PLATE SCHEDULE
204-20234 NO SCALE

- 1 3/4" PLATE

TYPE "B" AT WALL CORNER

TYPE "A" ALONG WALL

PLAN VIEW
NO SCALE



NO.	DATE	DESCRIPTION

CONSULTANT
JOB # 22-1905

DEPARTMENT OF PUBLIC WORKS
 Dexter Park - Rehab
 - Restroom Facility (Prototype One) -
 FRAMING DETAILS

DEPARTMENT OF PUBLIC WORKS
 ARCHITECTURAL SERVICES
 400 EAST STEWART AVENUE
 LAS VEGAS, NEVADA 89101
 PHONE: (702) 229-5535
 FAX: (702) 382-3232
 TDD: (702) 386-9108

ARCHITECT	RICHARD DANIELSON, AIA, NCARB
DRAWN	JLJ
DATE	2/28/2001
SCALE	2:3
PROJECT	Dexter Park
SHEET NO.	RR-S2

WRIGHT
 STRUCTURAL ENGINEERS, INC.
 7310 Smoke Ranch Road, Suite # 1 Las Vegas, NV 89128
 (702) 233-6900 Fax (702) 233-1164 www.wrighteng.com

