



REVISIONS

CONSULTANT

DEPARTMENT OF PUBLIC WORKS

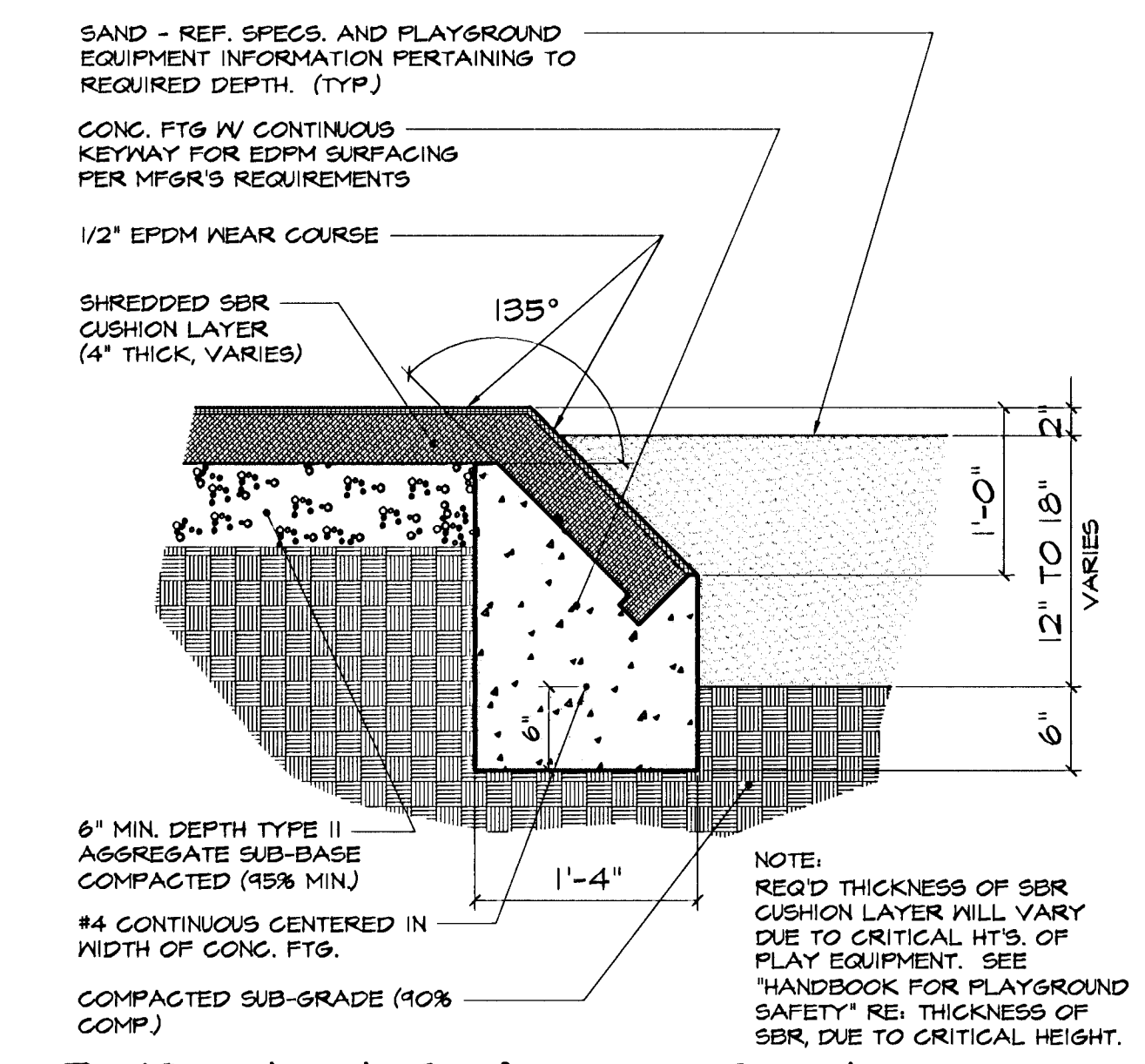
Dexter Park - Rehab

Miscellaneous Site Details

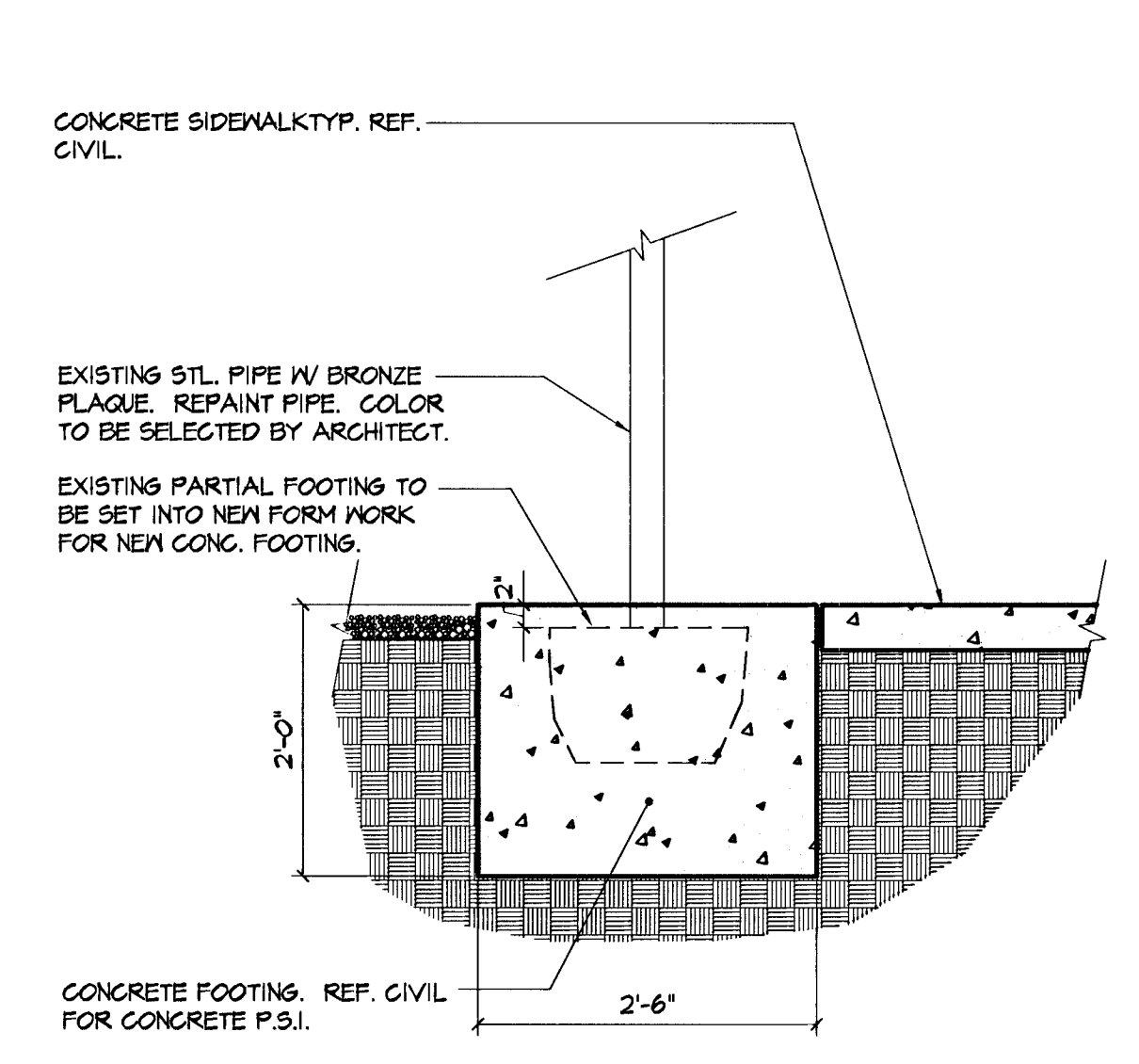
DEPARTMENT OF PUBLIC WORKS
ARCHITECTURAL SERVICES
400 EAST STEWART AVENUE
LAS VEGAS, NEVADA 89101
PHONE: (702) 229-6535
FAX: (702) 382-3232
TDD: (702) 386-9108

PROJECT MANAGER
PATRICK BATTLE, AIA, NCARB
DRAWN
BEREED
FILE
dexter/dp1004
DATE
2/28/2001
SCALE
Full Scale
PROJECT
Dexter Park
SHEET NO.

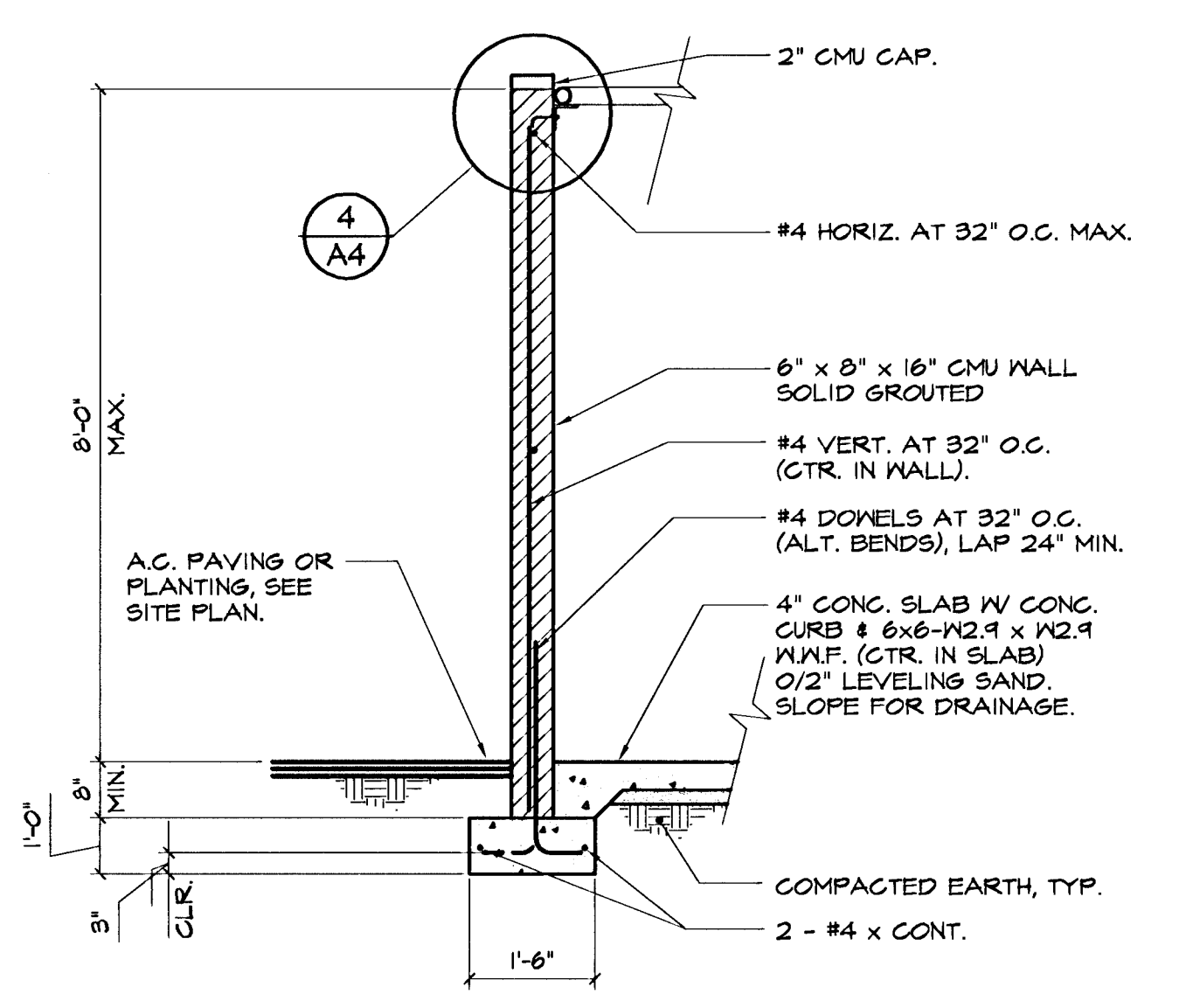
12
A4
650.16-11



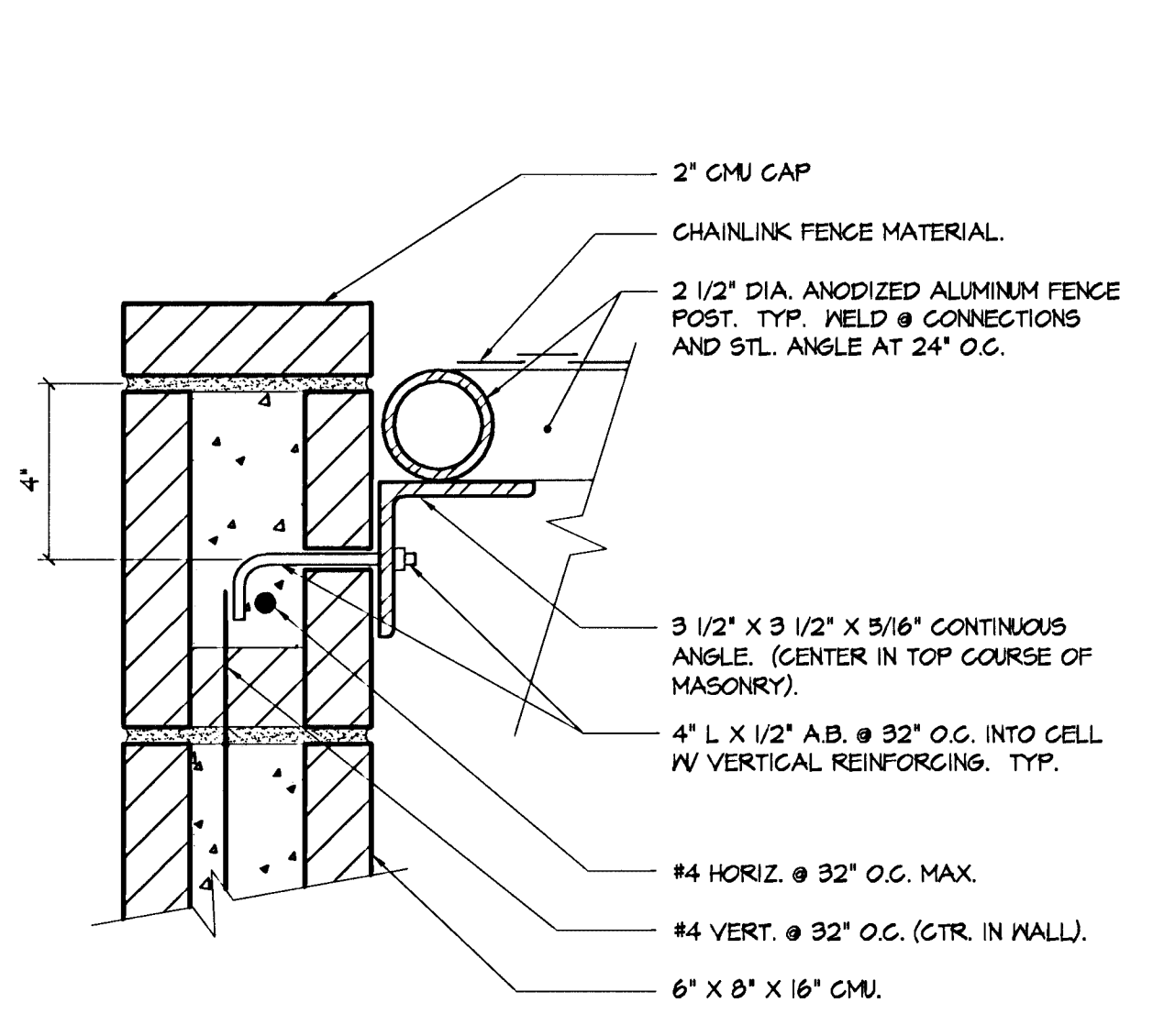
1 Resilient Surface @ Sand
Scale: N.T.S. 19950-XX A4-01



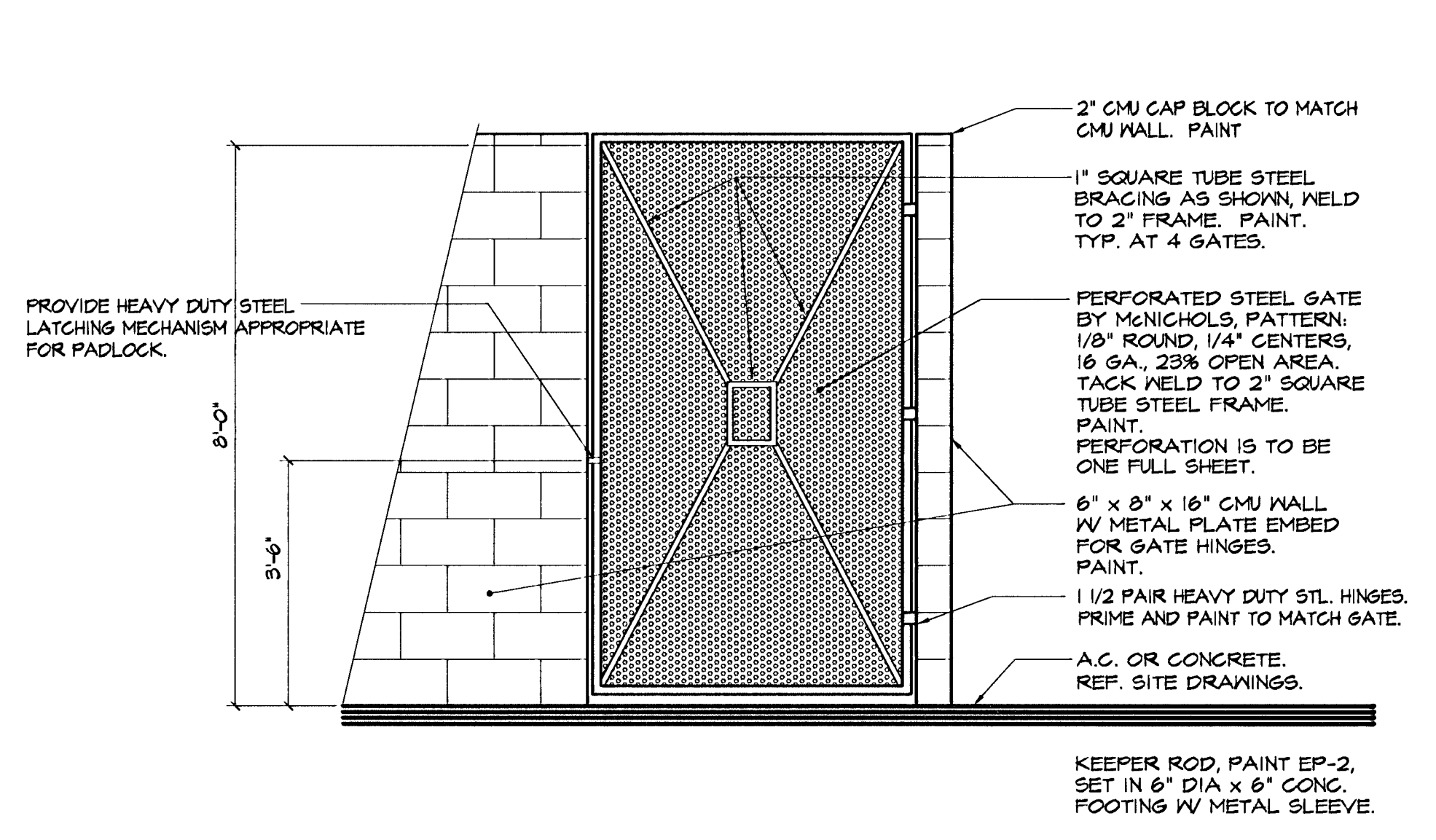
2 Exist'g. Post Mounted Plaque Ftg.
Scale: 3/4"=1'-0" XXXXX-XX 04-02



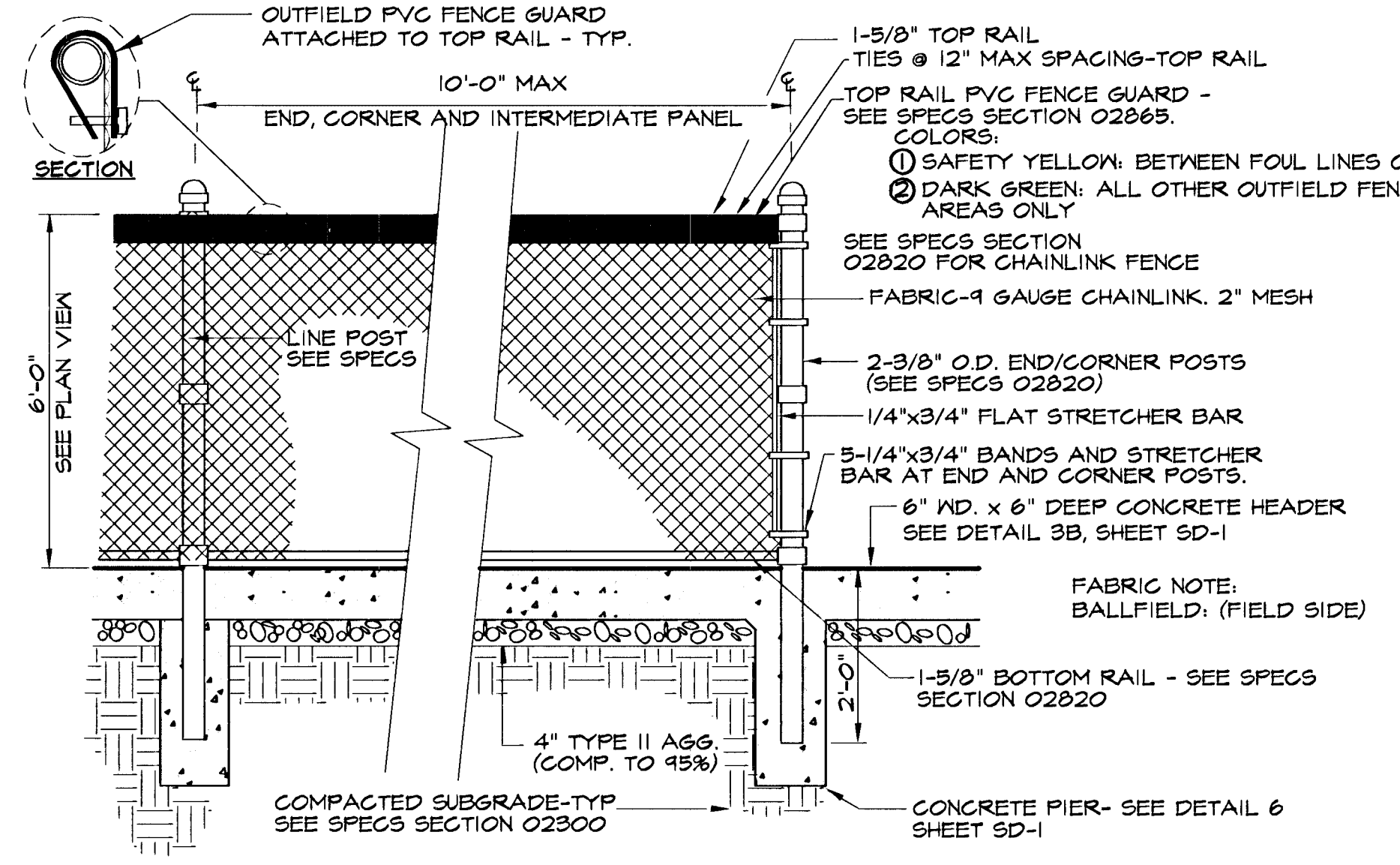
3 Equipment Enclosure Wall
Scale: 1/2"=1'-0" 02890-XX 04-03



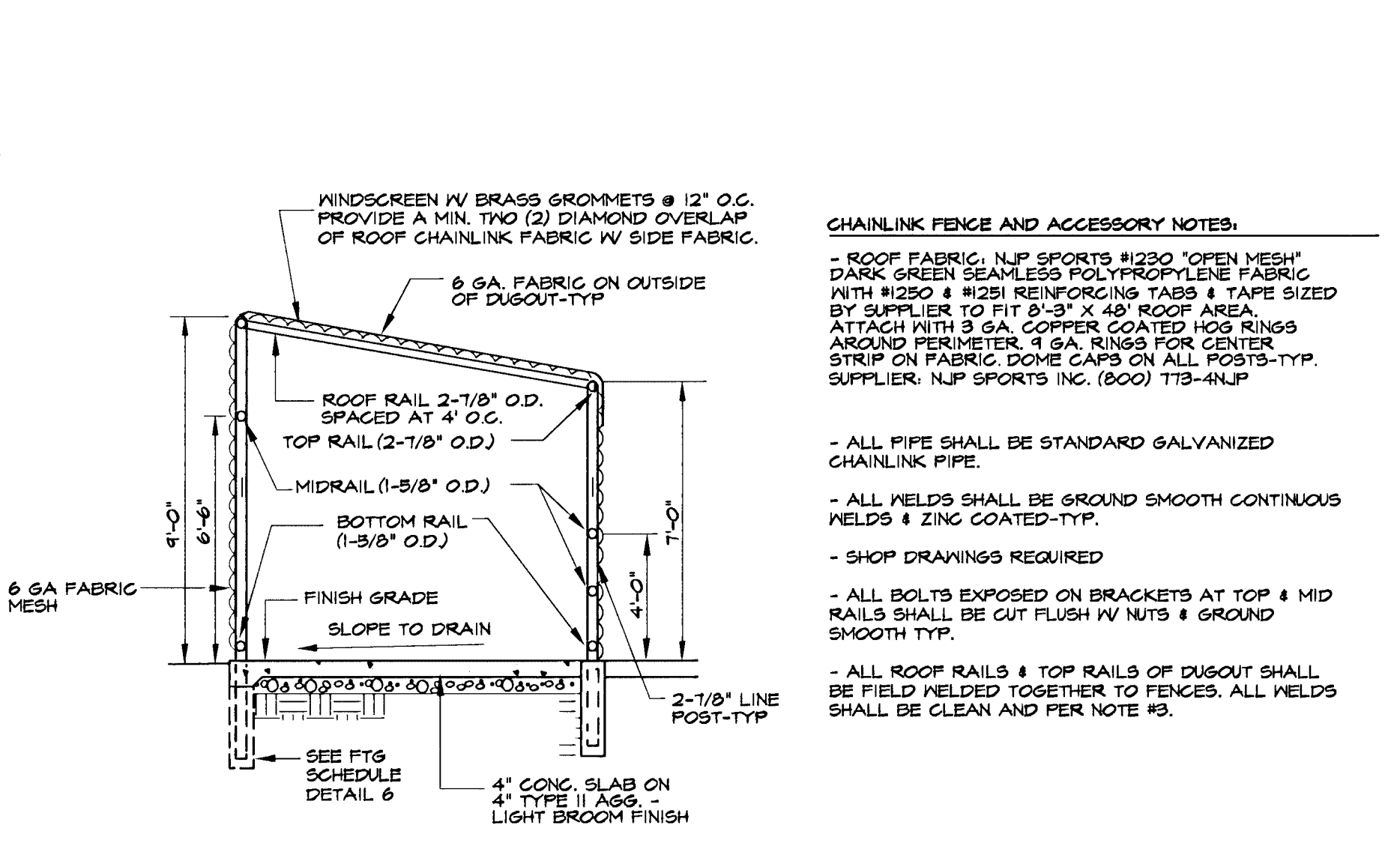
4 Ledger Dtl. @ Chainlink Post / CMU
Scale: 3/4"=1'-0" 05100-XX A4-04



5 Gate @ Equipment Enclosure
Scale: 1/2"=1'-0"



6 6' Chainlink Fence
Scale: N.T.S.

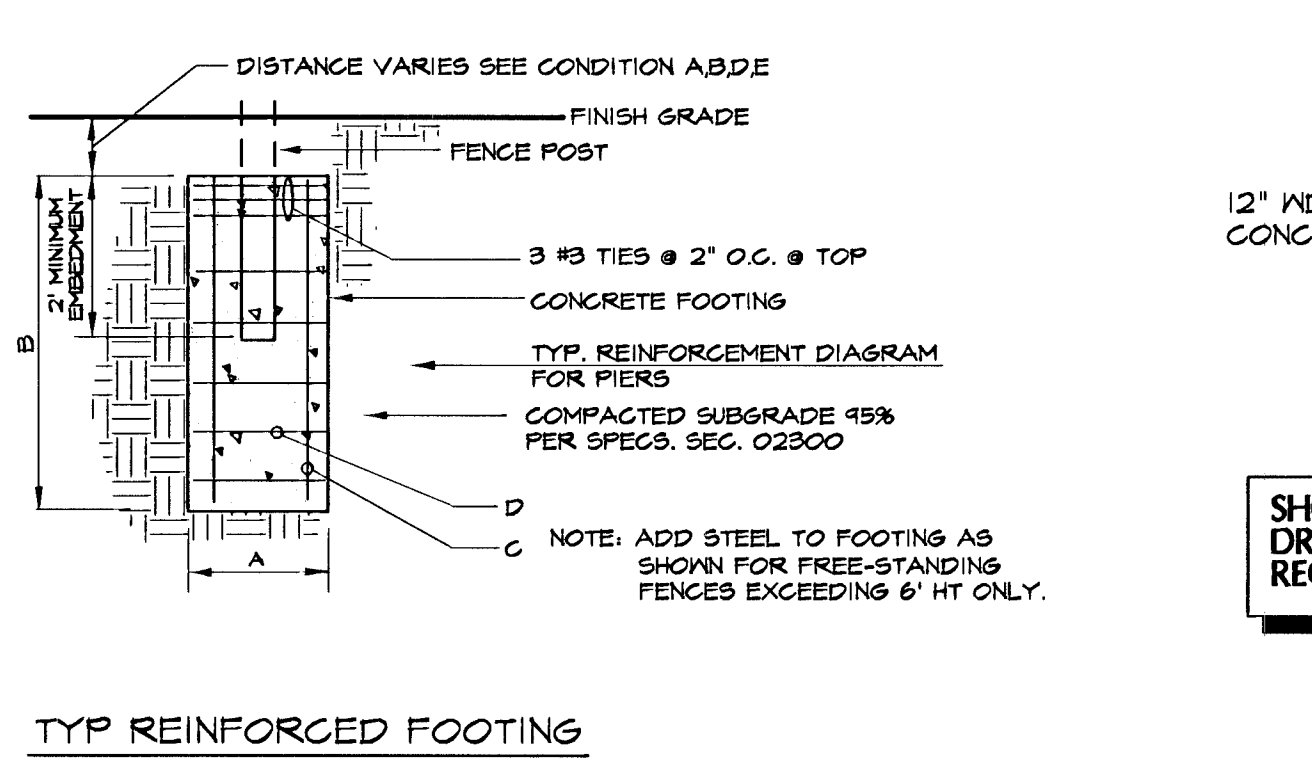


7 Section @ Dugout
Scale: N.T.S.

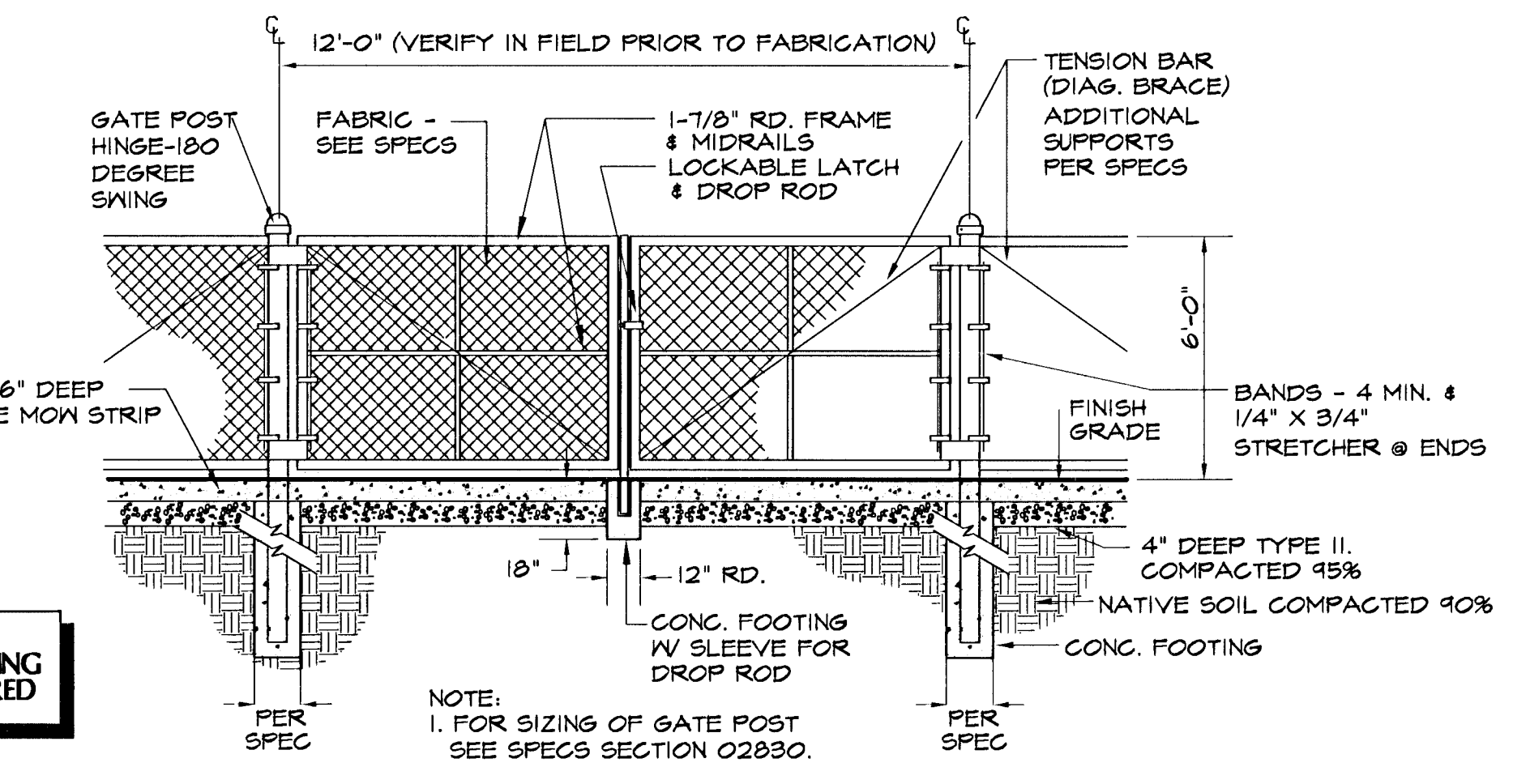
- NOTES:
1. ALL FABRIC TO BE PLACED ON FIELD SIDE OF POSTS EXCEPT AS NOTED FOR DUGOUTS
2. ALL DIMENSIONS ARE TO CENTERLINE OF FENCE POSTS UNLESS OTHERWISE NOTED.
3. SEE CHAINLINK FENCE SECTION 02820 OF SPECIFICATIONS.
4. ALL WELDING DONE TO PIPE SHALL BE CONTINUOUS WELDS, GROUND SMOOTH AND COATED EVENLY AND NEATLY WITH ZINC COATING (SPRAY APPLIED).

PIER SCHEDULE					
HEIGHT OF POST ABOVE F.G.	DIAMETER OF PIER	DEPTH OF PIER	VERTICAL REINF.	TIES	NOTES
H	A	B	C	D	
20' TO 30'	16"	8'-0"	6 #5	#3 @ 10"	BACKSTOP
12' TO 19'	14"	6'-0"	5 #5	#3 @ 10"	WING FENCE
8' TO 11'	12"	5'-0"	5 #5	#3 @ 8"	DUGOUT AREA
LESS THAN 8' HT.	12"	3'-0"	-	-	PERIMETER FIELD

8 Notes / Footing Schedule
Scale: N.T.S.



9 Double Swing Gate
Scale: N.T.S.



9 Double Swing Gate
Scale: N.T.S.

SHOP DRAWING REQUIRED