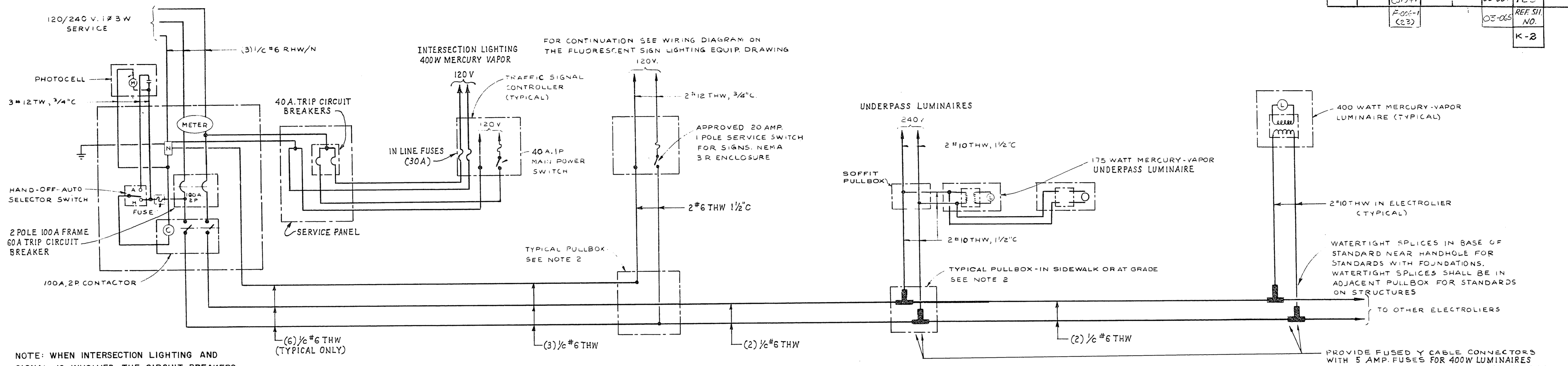


1309
18-5-19

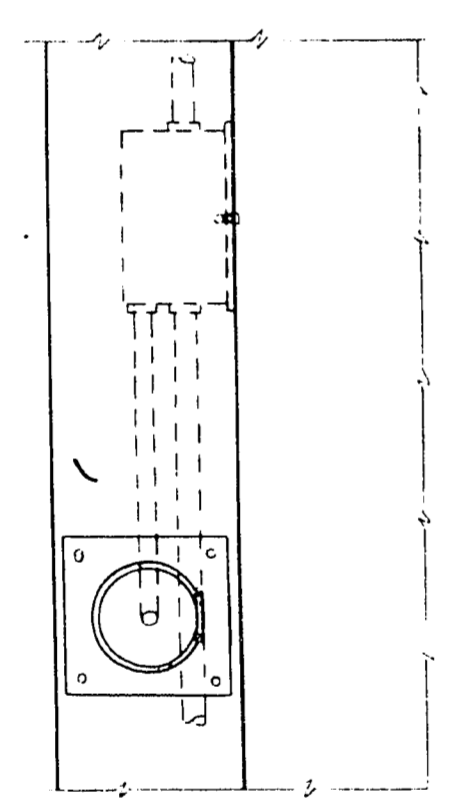
FED. ROAD DIST. NO.	STATE	PROJECT NO.	COUNTY	CONTRACT SECTION	STATE ROUTE	SHEET NO.	TOTAL SHEETS
7	NEVADA	E-015-1 (31)41	CLARK		03-084	125	
		F-005-1 (23)			03-065	REF. SHEET NO.	
						K-2	



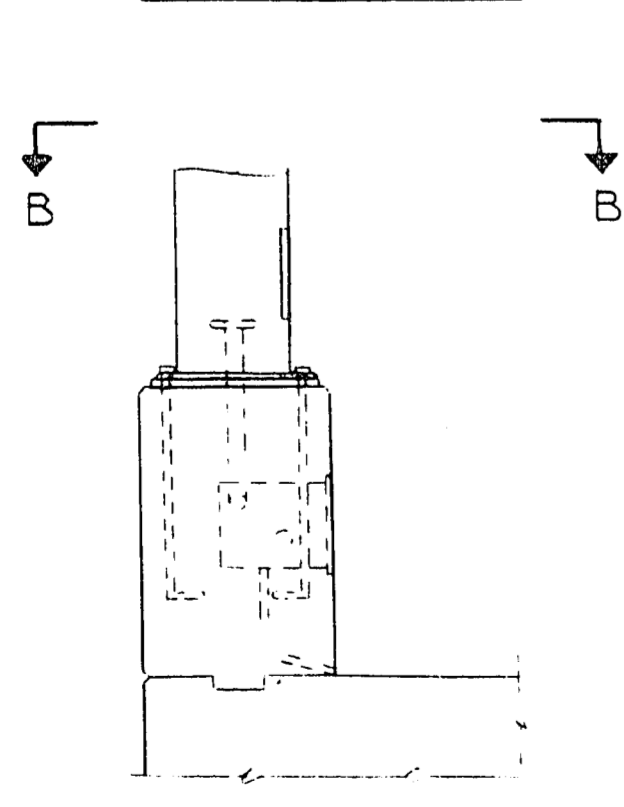
NOTE: WHEN INTERSECTION LIGHTING AND SIGNAL IS INVOLVED, THE CIRCUIT BREAKERS FOR SIGNALS AND LIGHTING SHALL BE IN SEPARATE HOUSING. THE HOT SIDE OF LIGHTING CIRCUIT SHALL BE ON THE PHOTOCELL.

TYPICAL ELECTRICAL SERVICE AND SYSTEM WIRING DIAGRAM FOR LIGHTING AND TRAFFIC SIGNALS

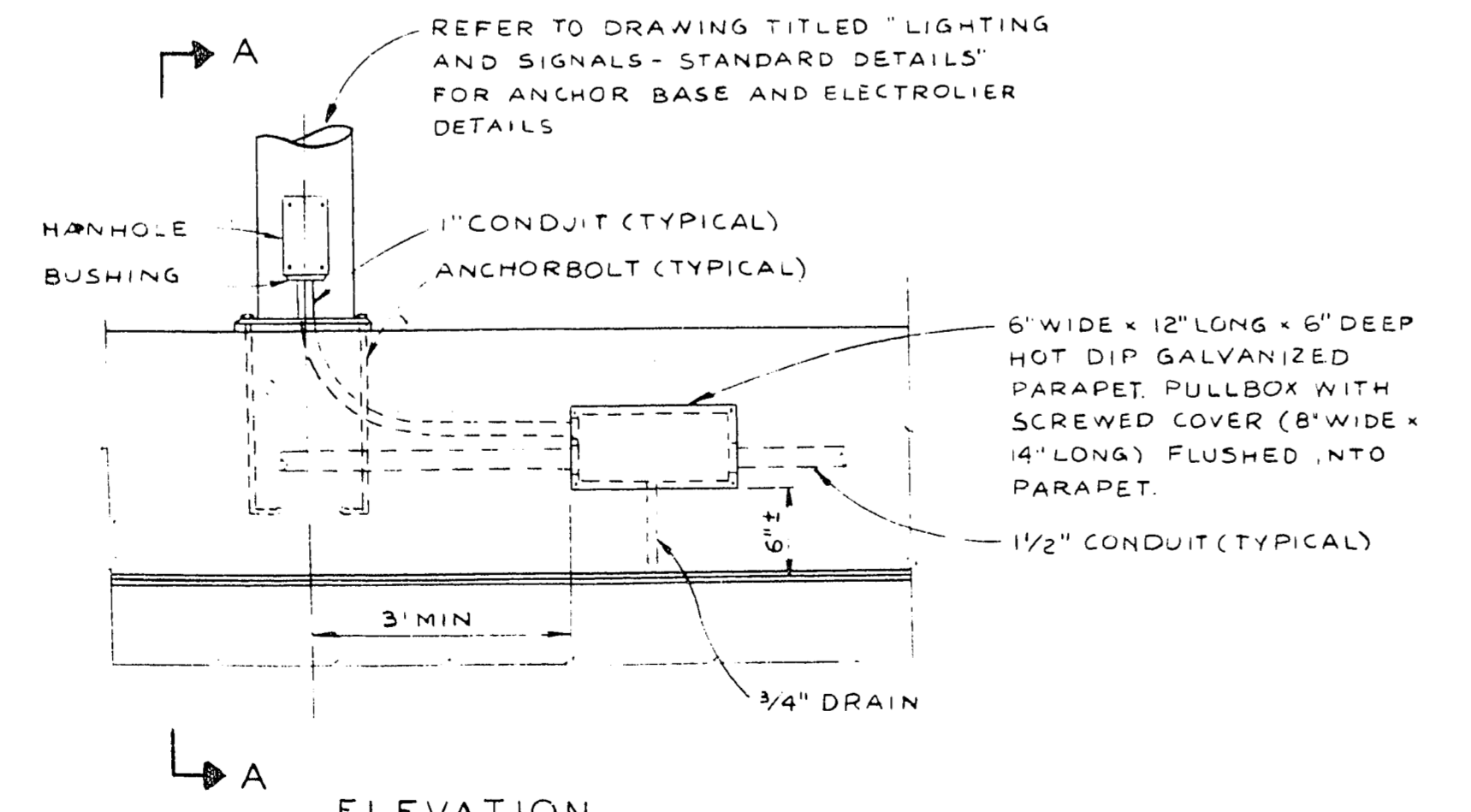
- NOTE
1. REFER TO SPECIAL PROVISIONS FOR SERVICE PANEL.
 2. ALL SPLICES IN PULLBOXES SHALL BE WATERTIGHT.



SECTION B-B

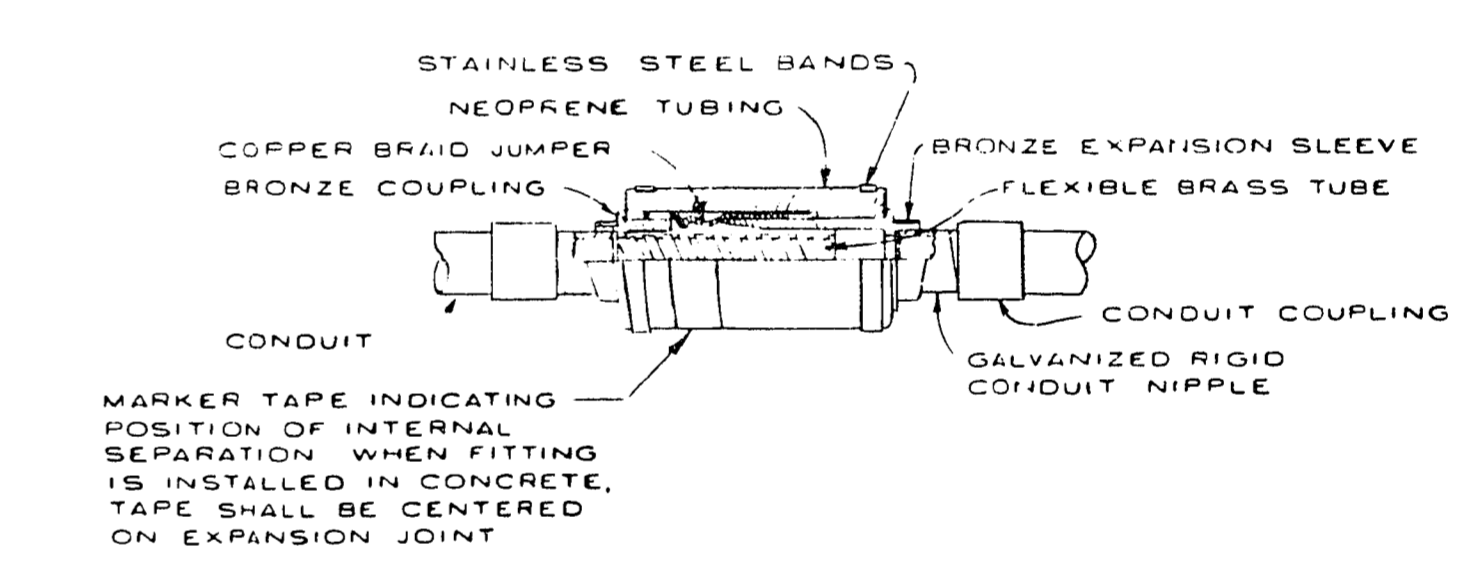


SECTION A-A



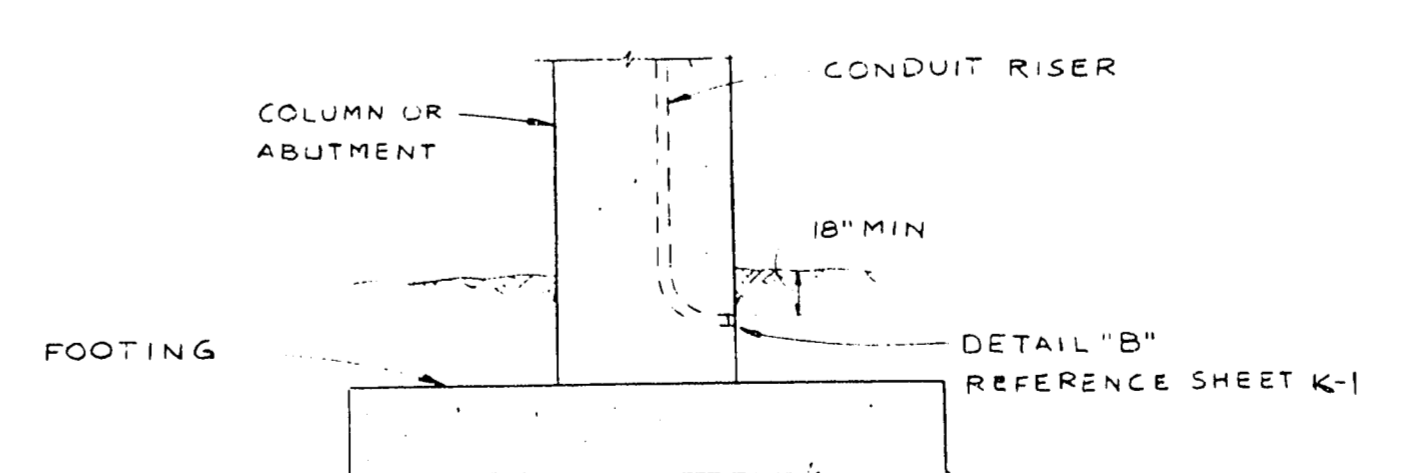
ELEVATION

ELECTROLIER MOUNTED ON BRIDGE PARAPET



NOTE: THIS FITTING SHALL PROVIDE FOR MOVEMENT OF 3/4" IN ANY DIRECTION FROM NORMAL POSITION AND SHALL PROVIDE FOR DEFLECTION OF 30° IN ANY DIRECTION FROM NORMAL POSITION.

CONDUIT EXPANSION & DEFLECTION FITTING



CONDUIT RISER AT COLUMN OR ABUTMENT

STATE OF NEVADA
DEPARTMENT OF HIGHWAYS

ELECTRICAL DETAILS

LAS VEGAS FREEWAY
DOWNTOWN EXPRESSWAY

DE LEUW, CATHNER & COMPANY ENGINEERS SAN FRANCISCO, CALIFORNIA	DESIGNED BY: T.N. DRAWN BY: I.K. CHECKED BY: R.J.D. APPROVED BY:
--	---