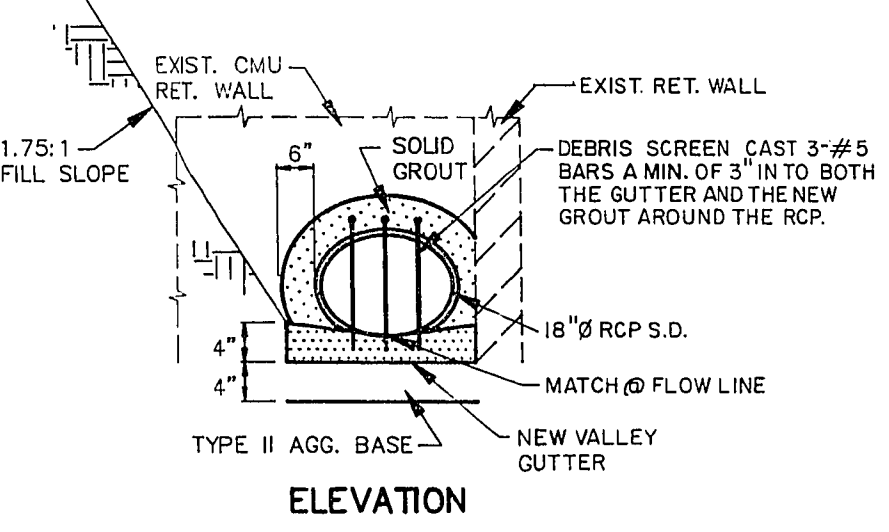
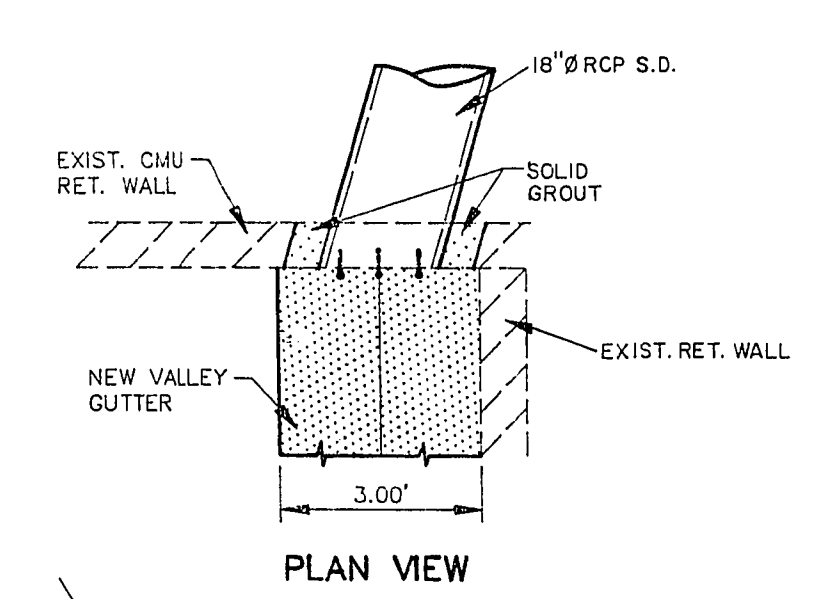
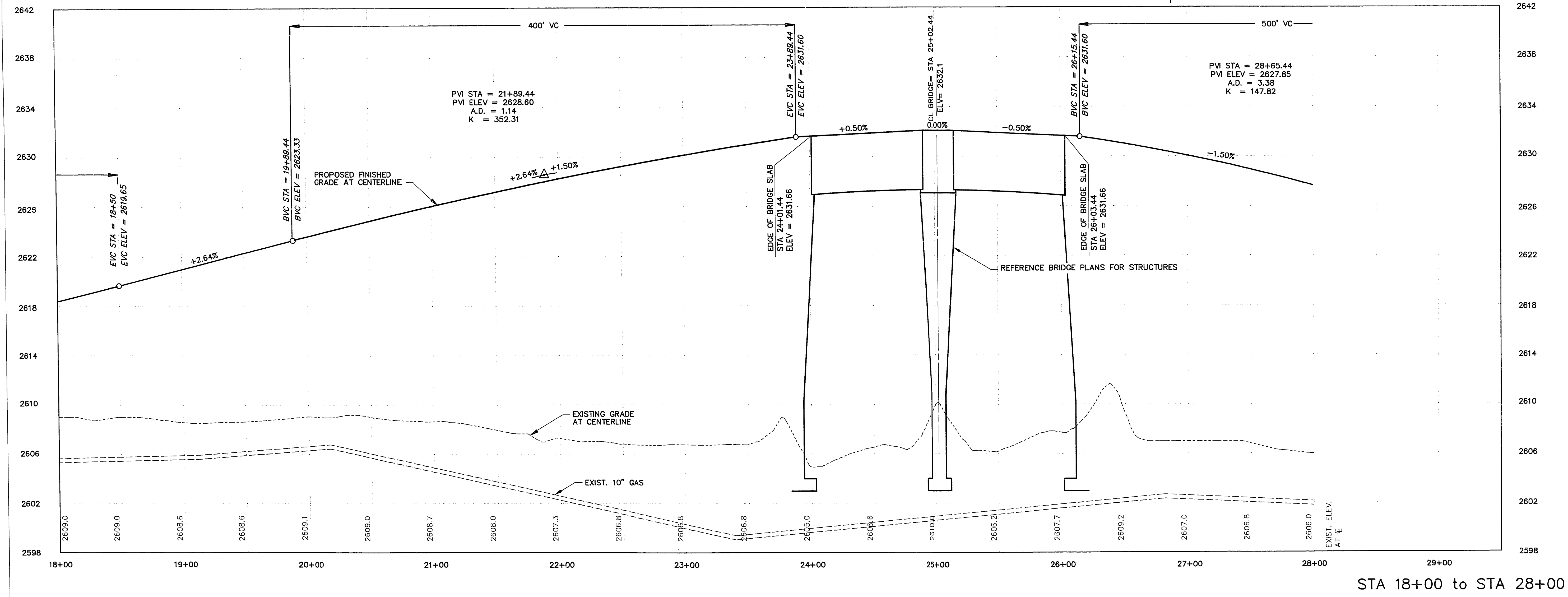


CURVE DATA			
CURVE	RADIUS	LENGTH	TANGENT DELTA
C2	11541.58'	617.22'	308.66'
C3	7130.74'	485.19'	242.69'

SCALE: HORIZ. 1"=40'  
VERT. 1"=4'



DETAIL NO SCALE



**GB&L CONSULTING ENGINEERS**  
 9850 S. EASTERN AVE. • SUITE 220 • LAS VEGAS, NEVADA 89109  
 PLANNERS ENGINEERS SURVEYORS  
**POGGEMEYER DESIGN GROUP**  
 1140 ALMOND TREE LANE, SUITE 208 LAS VEGAS, NEVADA 89044 (702) 735-5108

DATE: 9/25/90  
 100% FINAL DESIGN SUBMITTAL  
 DESIGNED BY: 89136  
 DRAWN BY: PJC  
 CHECKED BY: PAM  
 DATE: 9/25/90

**PLAN AND PROFILE**  
**DURANGO OVERPASS**  
 AT SUMMERLIN PARKWAY  
 AND DURANGO DRIVE, ROADWAY BETWEEN WESTCLIFF AND WASHINGTON  
 CITY OF LAS VEGAS, NEVADA

SHEET NUMBER: 4  
**C-3**  
 OF 2.0