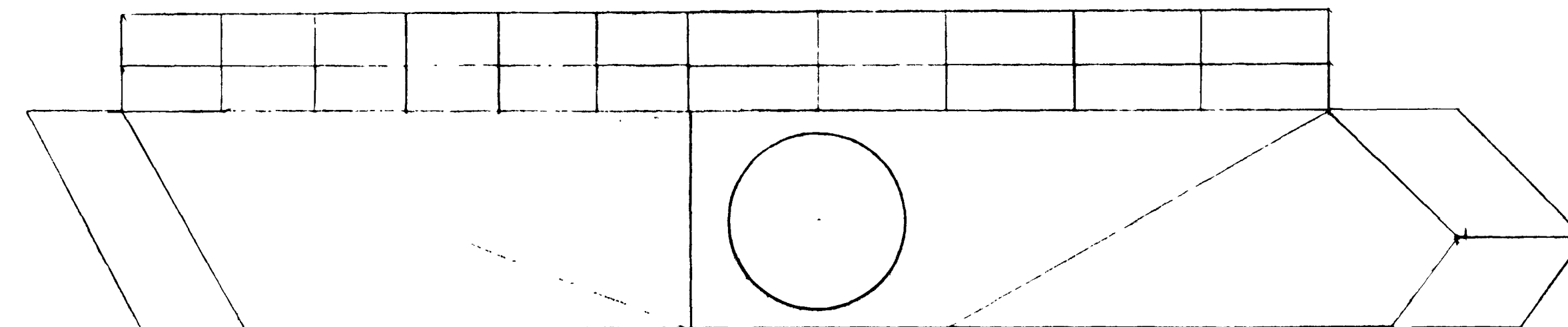


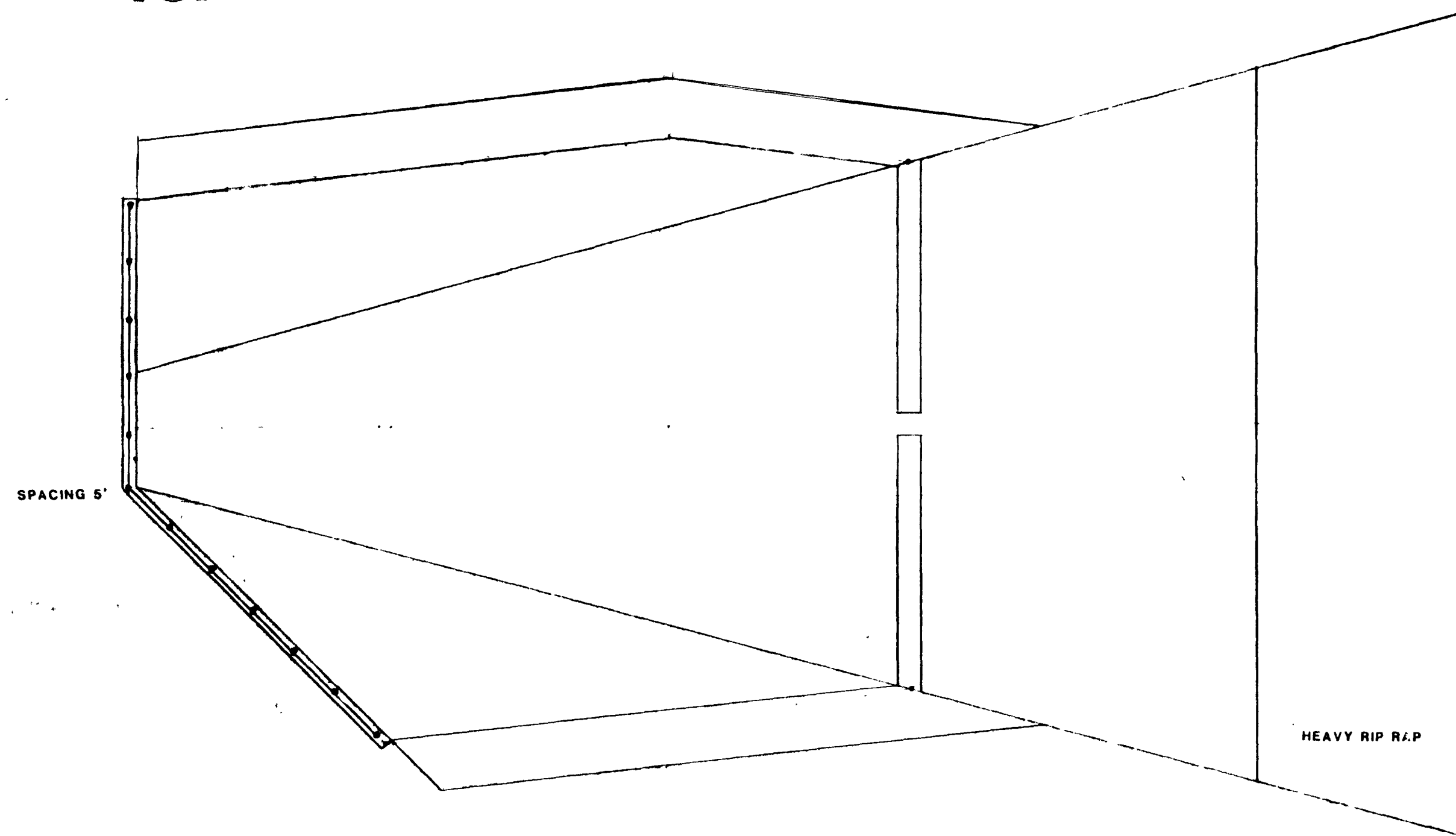
| | | |
|--------------|-----------|-------------------|
| REV. 1 | HANDBRAIL | 6/6/92 |
| Scale (h) | Scale (v) | W.A. |
| Fid. bk. no. | Date | Design by |
| | | Drawn by J. ERDAL |
| | | Revisions |
| | | Date |

FRONT VIEW



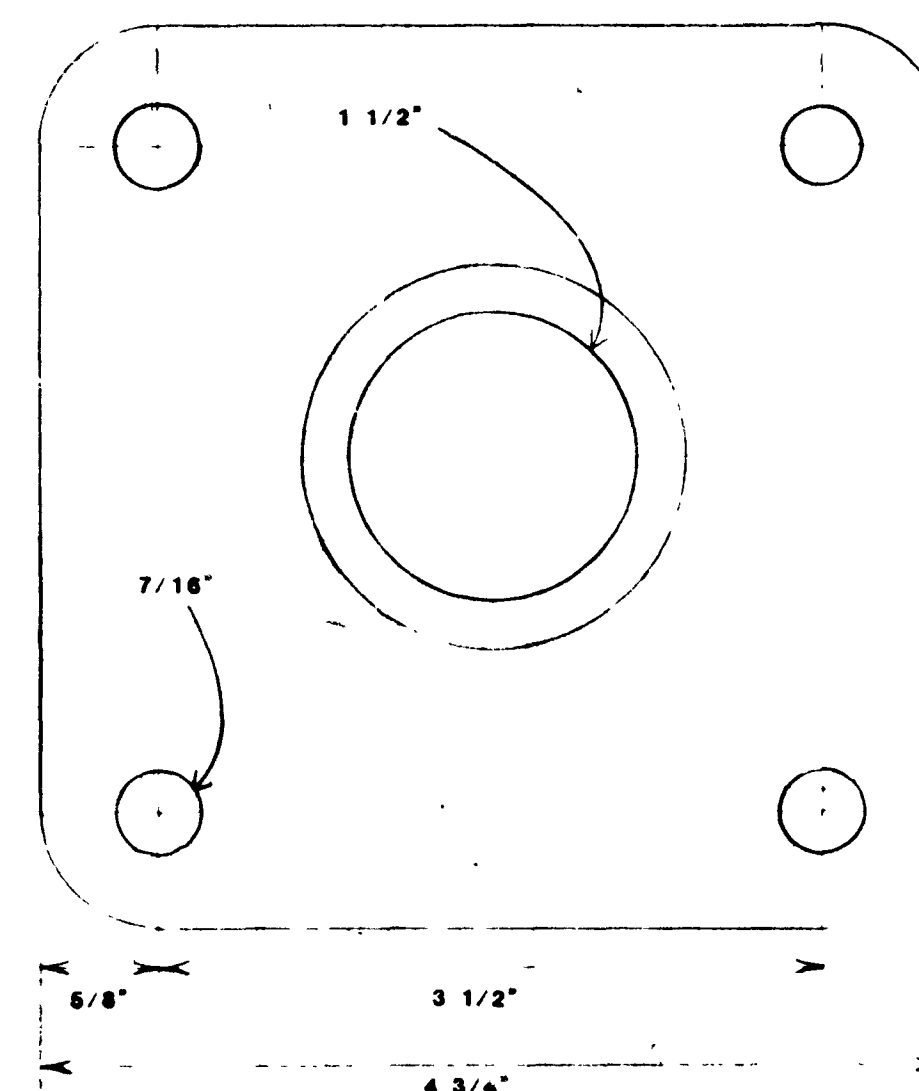
SCALE 1"-5'

TOP VIEW



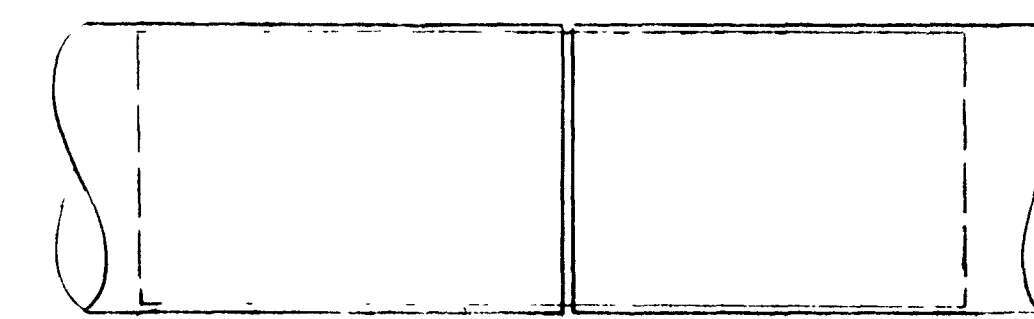
SCALE 1"-10'

SCALE 1"-1"

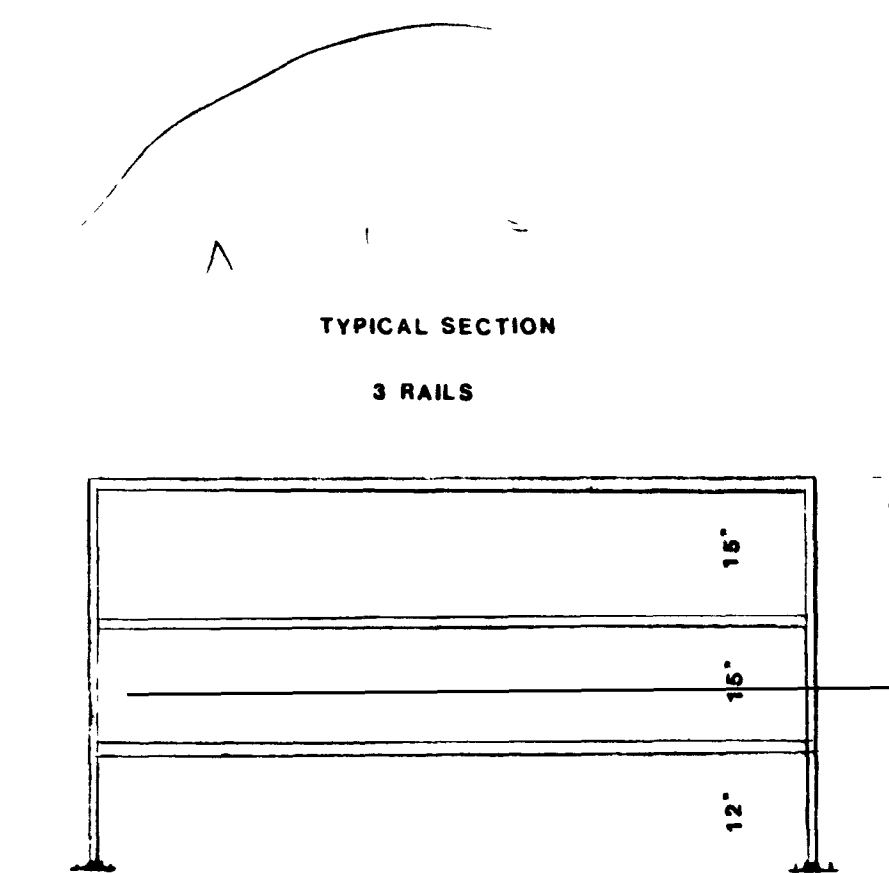


BASE PLATE DETAIL

NO SCALE



EXPANSION JOINT



TYPICAL SECTION
3 RAILS

HAND RAIL

GENERAL NOTES

1. STRUCTURAL STEEL SHALL CONFORM TO ASTM DESIGNATION A36.
2. 3/8" ALL STEEL RUST PROOFED SLEEVE ANCHOR BOLTS SHALL BE USED.
3. EXPANSION JOINTS SHALL HAVE A GAP OF 1/4" PER 20' MAXIMUM SPACING.
4. ALL EXPOSED CORNERS SHALL BE GROUND SMOOTH.
5. ALL EXPOSED SURFACES OF RAILING ASSEMBLY SHALL BE PAINTED WITH 2 COATS OF RUST PROOF PRIMER AND 2 COATS OF ALUMINUM PAINT.

Department of Public Works

HAND RAIL DESIGN
DURANGO WEEP HOLE



Drawing no.
107-11649B

AS BUILT

12-3-91

