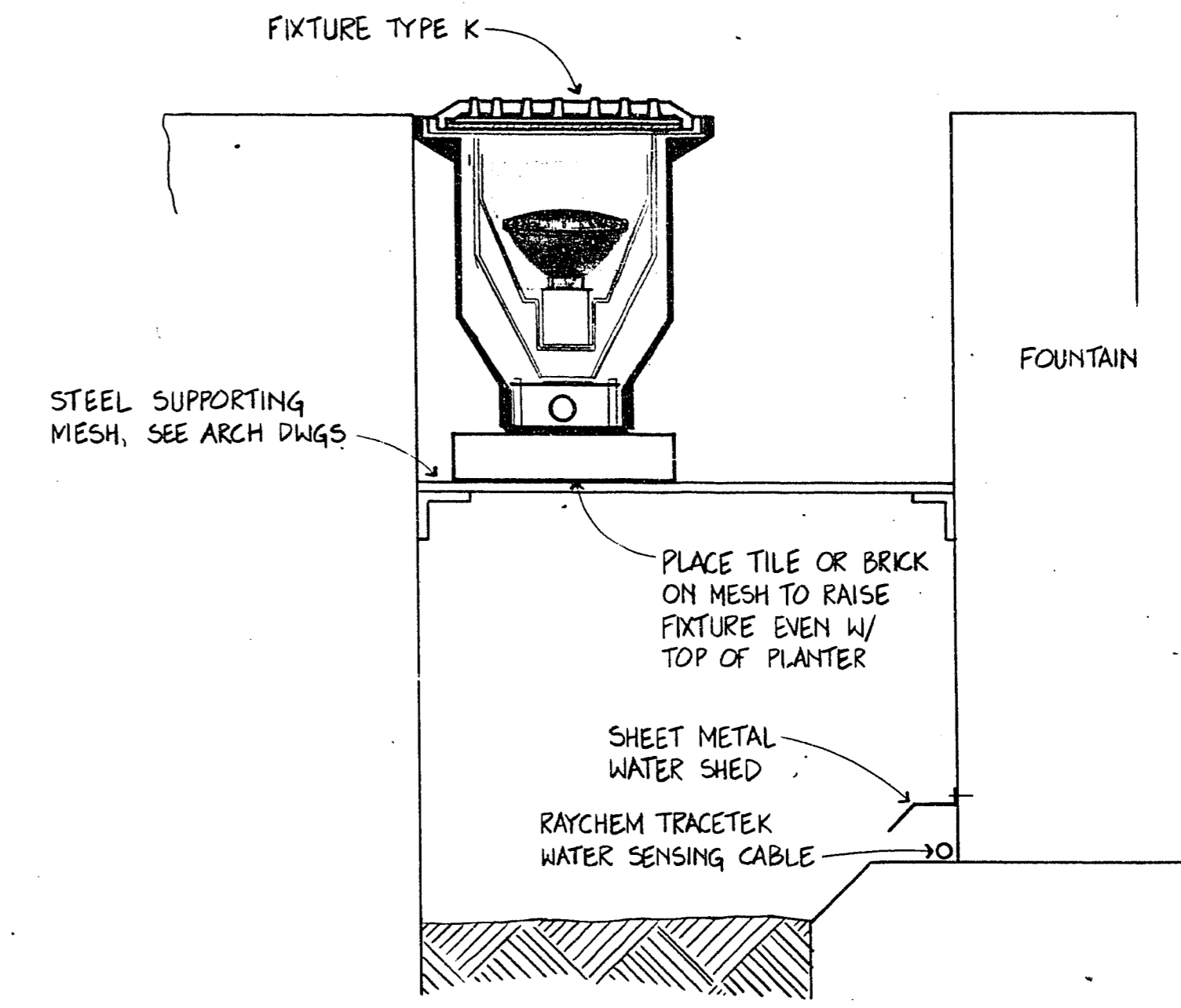
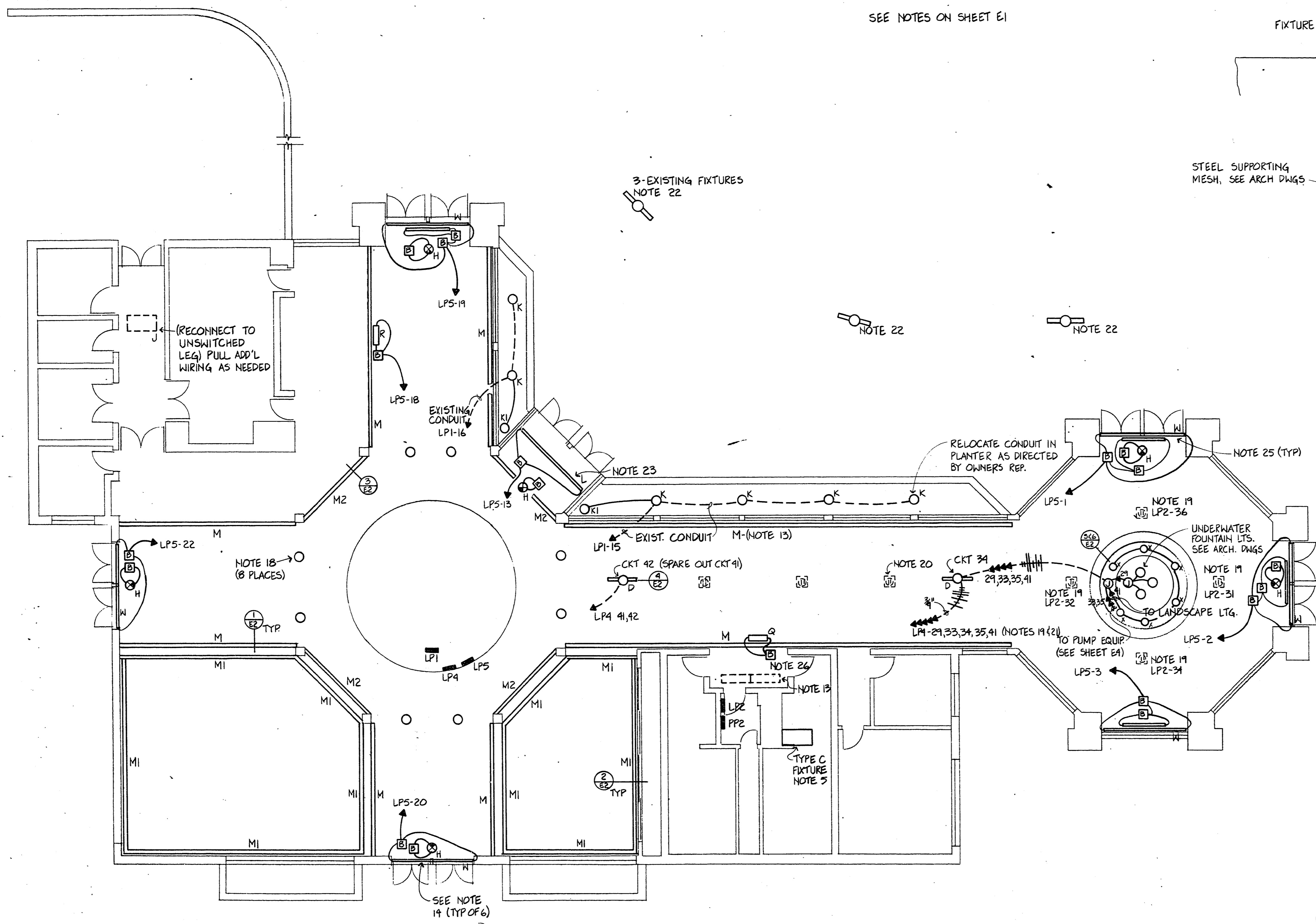
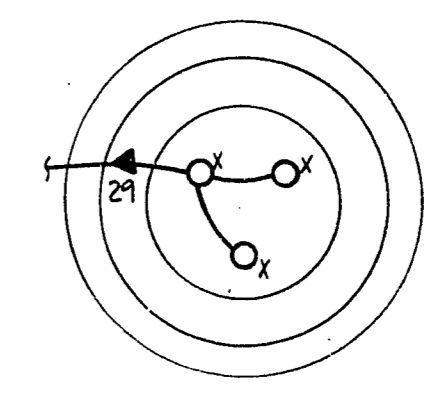


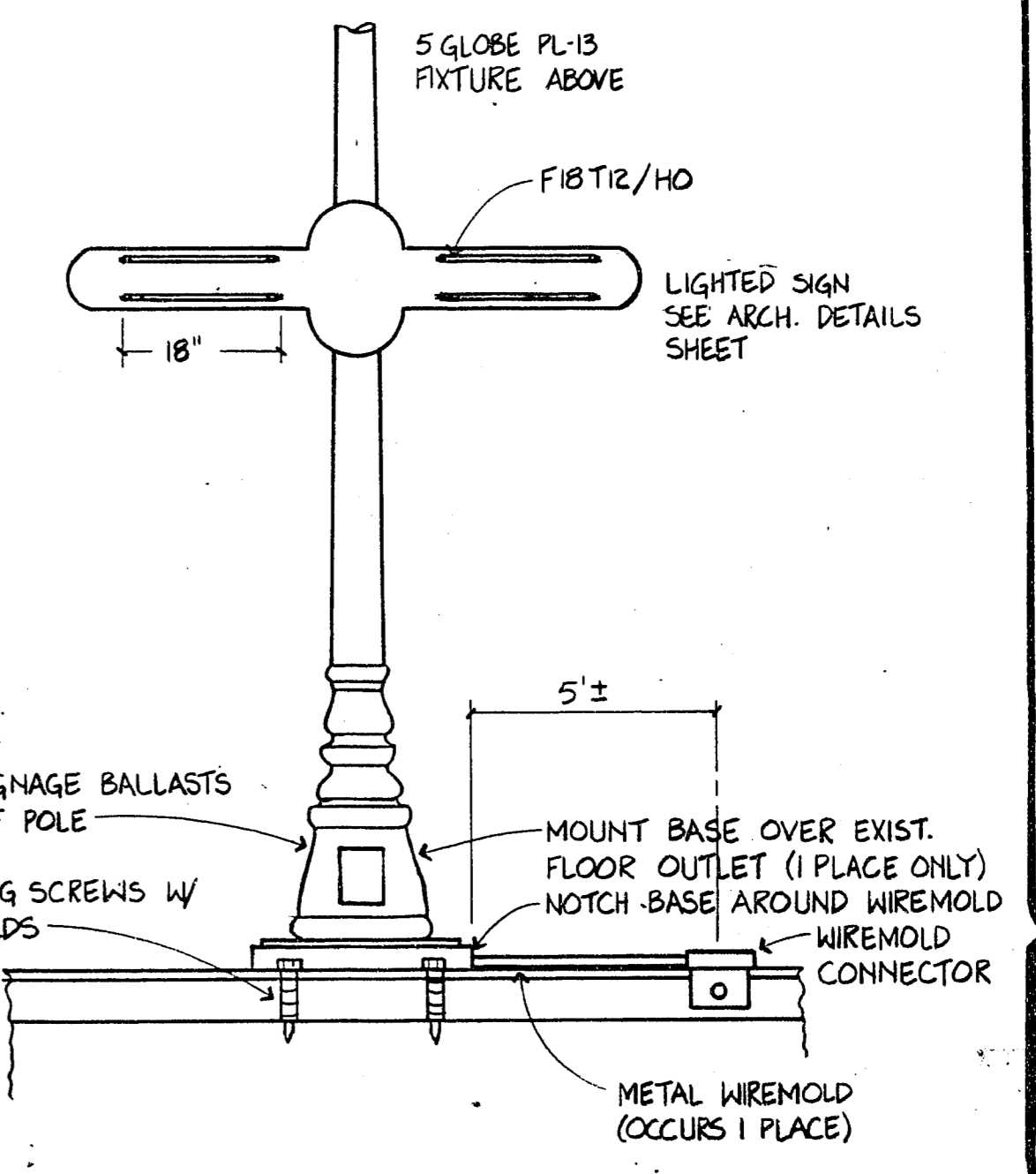
SEE NOTES ON SHEET E1



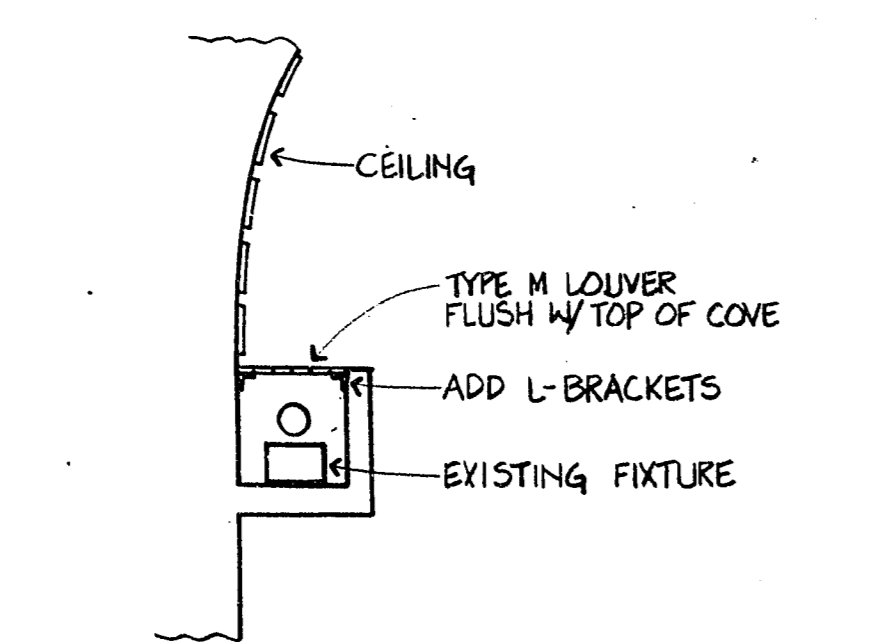
6 LANDSCAPE LIGHTING DETAIL
 E2 NTS
 BID GROUP 4
 ADDITIVE ITEM 1



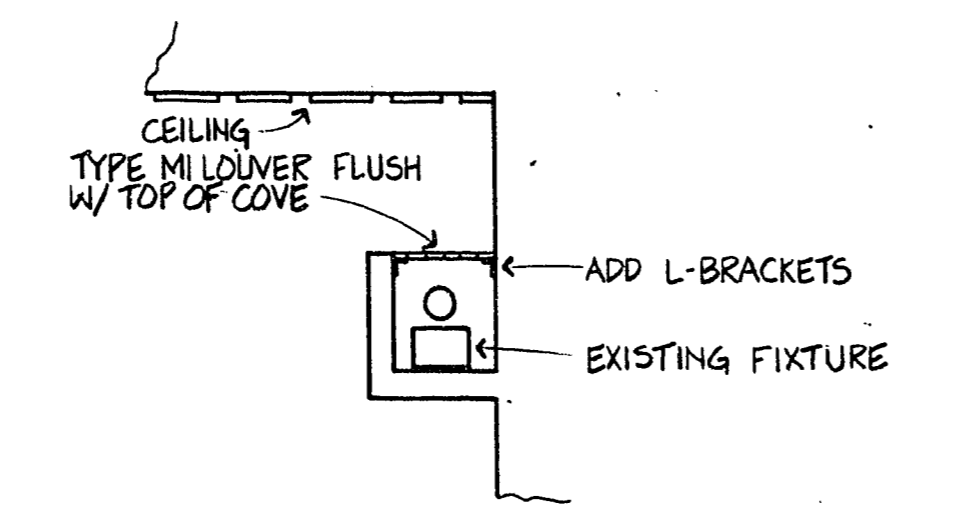
5 LANDSCAPE LIGHTING W/O FOUNTAIN ALTERNATE (BASE BID)
 E2 NTS



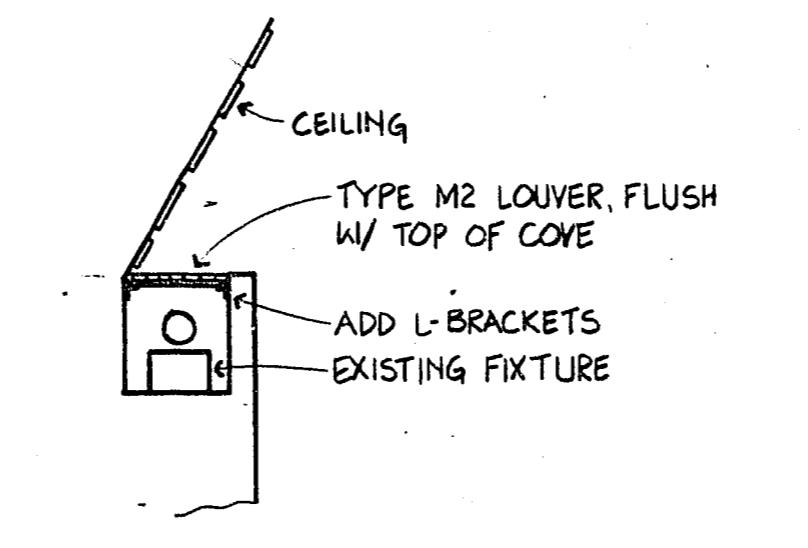
4 FIXTURE TYPE D MOUNTING DETAIL
 E2 NTS



1 DETAIL OF LOUVER MOUNTING
 E2 NTS



2 DETAIL OF LOUVER MOUNTING
 E2 NTS

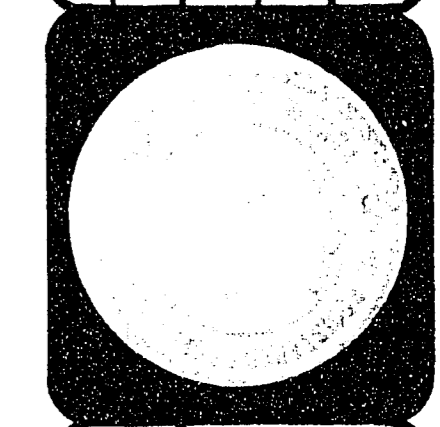


3 DETAIL OF LOUVER MOUNTING
 E2 NTS



City of Las Vegas, Nevada
Department of Design and Development
 Thomas B. Graham, AICP, RLA, Director

REVISIONS	DATE



DOWNTOWN TRANSPORTATION CENTER AMENITIES
INTERIOR LIGHTING PLAN & DETAILS

30-13-42

PROJECT NO.
WU9040
 DRAWING NO.
590-2F
 SHEET 88 OF 41
E2