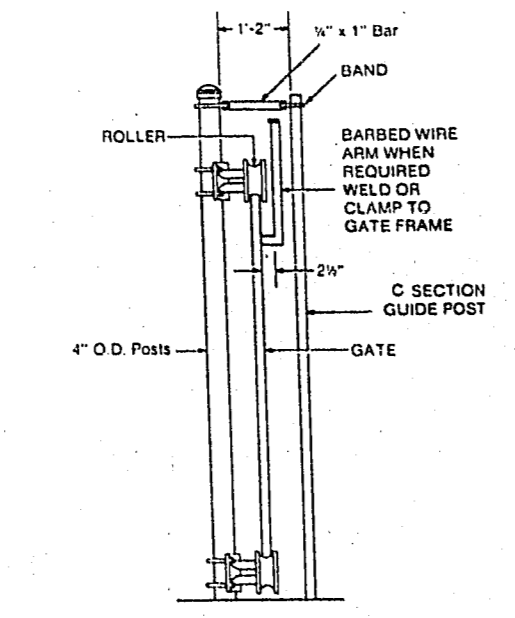
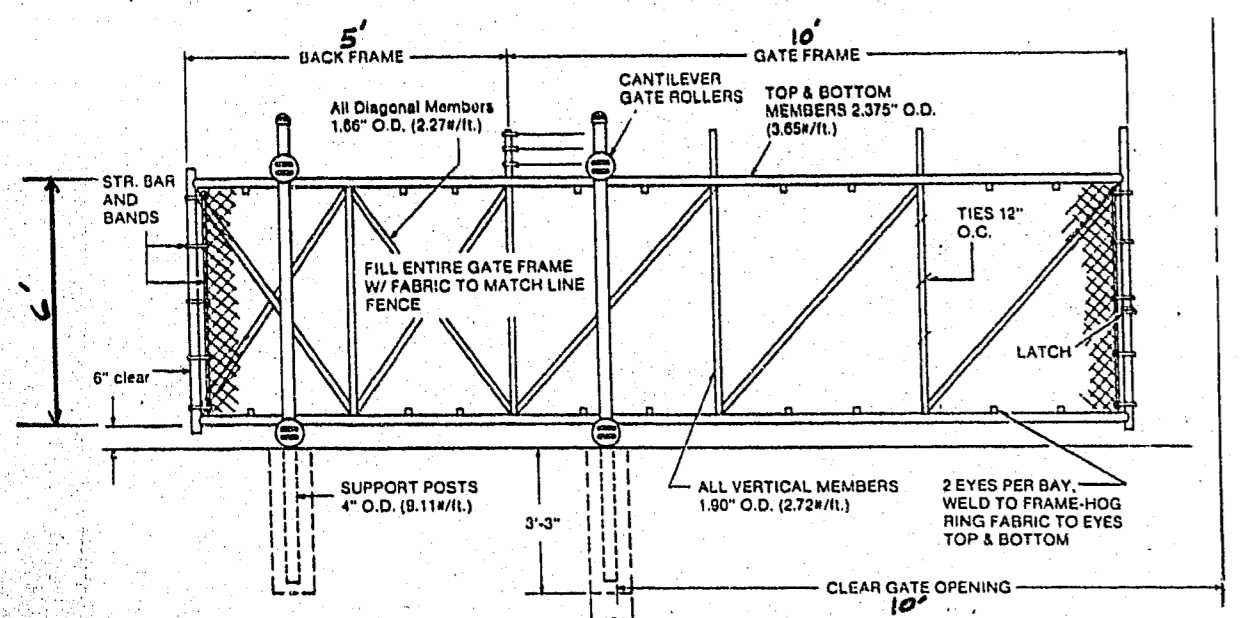


**TYPICAL GATE LEAF**



**FABRIC:** The chain link fence fabric for gates shall match that used on the line fence, install with stretcher bars at vertical edges and tie wires at top and bottom edges.

**BARB WIRE:** When barb wire is specified, it shall match that on line fence. To accommodate the barb wire, extend the end members one foot above the top horizontal section of the gate frame. Space strands uniformly and attach to frame with bands, clips or eyebolts.

**GATE FRAME:** Shall be 1.00" pipe with welded or riveted corners. Braces and truss rods shall be furnished when necessary to prevent sagging.

**GATE POSTS:** Gate posts shall be of the following sizes for single swing gates or one leaf of double gates.

| Leaf Width      | Gate Post   | Lbs./Lin. Ft. |
|-----------------|---|---------------|
| Up to 6'        | 3 1/4" x 3 1/4" roll formed section or 2 1/2" O.D. Pipe | 4.85<br>5.79  |
| Over 6' to 13'  | 4" O.D. Pipe  | 9.11          |
| Over 13' to 18' | 6 3/4" O.D. Pipe  | 18.97         |
| Over 18'        | 8 3/4" O.D. Pipe  | 28.55         |

Gate posts for cantilever slide gates shall be of the following sizes:

|               |                         |                    |
|---------------|-------------------------|--------------------|
| Support Posts | 4" O.D. Pipe            | 9.11 lbs./lin. ft. |
| Latch Posts   | 2 1/2" O.D. Pipe        | 5.79 lbs./lin. ft. |
| Guide Posts*  | 2.25" x 1.70" C-Section | 2.64 lbs./lin. ft. |

\* Guide posts to restrict lateral movement of cantilever gate frame shall be full height and braced to support posts.

**MISCELLANEOUS FITTINGS:** Hinges shall be pressed steel or malleable iron. Provide one pair for each leaf. Latches shall be forked type for single gates and plunger bar type for double gates. Both shall have a padlock eye and permit operation from either side of gate. Keepers shall be provided for each gate leaf over 5'0" wide and shall consist of a mechanical device for securing the free end of the gate when in full open position.

**GENERAL:** Gate posts to be of sufficient length to allow for approximately 36" settings into concrete footings. Diameter of footings to be 3 times the diameter of the gate post or 12" minimum. All material is subject to testing.

**COATINGS:**  
 FRAMEWORK - Galvalume (ASTM-A102)  
 FABRIC - To Match Line Fence  
 BARB WIRE - Aluminum Coated (ASTM-A885)

Date

Revisions

Checked by: W.A.

Date: / / 86

Design by: S706/E

Drawn by: A/G, M/S.

Scale (h) 1" = 20'


Scale (v) -

Fid. bk. no.

Engineering Design Division

**C.L.V. EMPLOYEES PARKING LOT MODIFICATION**

**DOWNTOWN TRANSPORTATION CENTER OFFSITE CONSTRUCTION PROJECT**


  
 CITY OF DALLAS  
 COUNTY OF DALLAS

Drawing no. 590-2 c 1

30-13-104