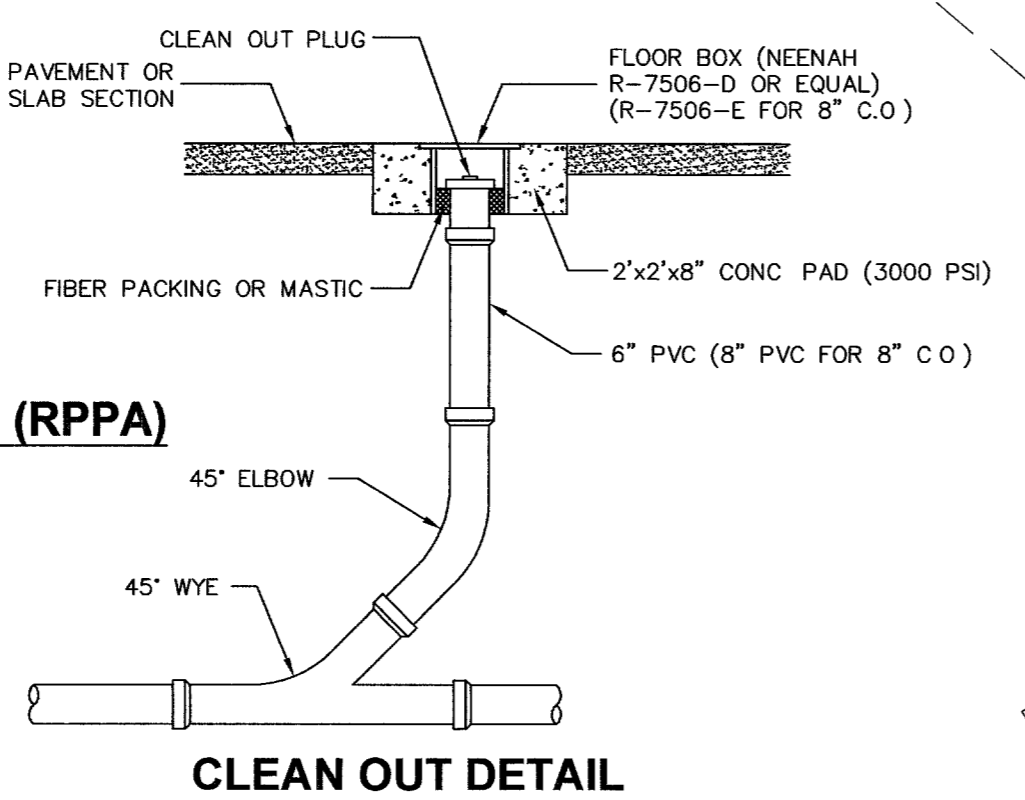
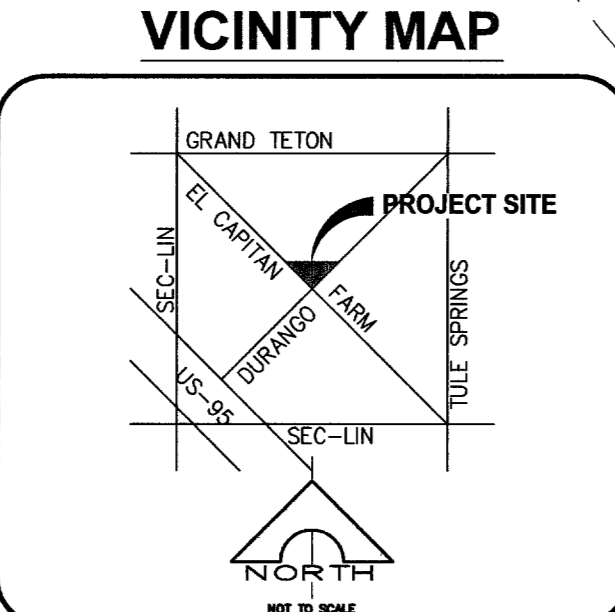


**QUANTITIES**

PUBLIC	PRIVATE	#	INSTALLATION NOTES
--	5 LF	1.	1" WATER STUB (FOR IRRIGATION)
--	160 LF	2.	2" WATER (TYPE 'K' COPPER)
--	145 LF	3.	6" WATER (PVC-900)
--	760 LF	4.	8" WATER (PVC-900)
2 EA	--	6.	6" DCDA PER UDACS PLATE No. 11C
--	2 EA	7.	FIRE HYDRANT ASSEMBLY & VALVE PER UDACS PLATE No. 7
1 EA	--	10.	1" WATER SERVICE & METER PER UDACS PLATE No. 1D (FOR IRRIG.)
--	1 EA	11.	1" RPPA PER UDACS PLATE No. 11A (FOR IRRIGATION)
1 EA	--	19.	1" BRASS WATER W/ BRASS 90° ELBOW TO RPPA (FOR IRRIG.)
1 EA	--	20.	1 1/2" WATER SERVICE & METER PER UDACS PLATE No. 1D
--	1 EA	21.	1 1/2" RPPA PER UDACS PLATE No. 11A
1 EA	--	29.	1 1/2" BRASS WATER W/ BRASS 90° ELBOW TO RPPA
2 EA	--	34.	8" x 6" REDUCER
--	2 EA	35.	6" x 45" ELBOW
--	3 EA	43.	8" x 6" TEE
--	1 EA	44.	8" x 8" TEE
--	2 EA	45.	8" x 45" ELBOW
--	3 EA	49.	8" x 90" ELBOW
--	452 LF	73.	6" PVC SEWER
--	6 EA	76.	6" SEWER CLEANDOUT PER DETAIL HEREDIN
--	1 EA	78.	8" SEWER CLEANDOUT



**LAS VEGAS FIRE DEPARTMENT**

BLDG. DESIGNATION	FIRE FLOW @ 20 PSI	FIRE FLOW @ 1500 GPM	FIRE FLOW @ 1500 GPM	FIRE FLOW @ 1750 GPM
RETAIL 'B'	1500 GPM	1500 GPM	1500 GPM	1750 GPM
RETAIL 'C'	1500 GPM	1500 GPM	1500 GPM	1750 GPM
RETAIL 'D'	1500 GPM	1500 GPM	1500 GPM	1750 GPM

DATE: 6.8.06

**LAS VEGAS VALLEY WATER DISTRICT**

APPROVAL BY THE FIRE DEPARTMENT HAVING JURISDICTION IS REQUIRED PRIOR TO OBTAINING FINAL APPROVAL FROM THE LVVWD

APPROVAL OF THESE PLANS SHALL NOT BE CONSTRUED TO BE A PERMIT FOR, OR AN APPROVAL OF, ANY VIOLATION OF ANY OF THE PROVISIONS OF THE STATE OR COUNTY LAWS.

**CAUTION: HIGH PRESSURE GAS LINES**

CALL SOUTHWEST GAS AT 365-2296 FOR STANDBY WHEN EXCAVATING OVER OR NEAR HIGH PRESSURE GAS LINES

**ABOVEGROUND UTILITY INSTALLATIONS**

ALL ABOVEGROUND UTILITY INSTALLATIONS SHALL BE PLACED A MINIMUM OF THREE (3) FEET FROM THE BACK OF SIDEWALK IN CONFORMANCE WITH TITLE 19 12.050

**(2) 6" DOUBLE CHECK DETECTOR ASSEMBLIES (DCDA)**

THE DOUBLE CHECK DETECTOR ASSEMBLIES SHALL BE INSTALLED IN ACCORDANCE WITH THE UDACS PLATE NO. 11C

ANY BLOCK WALL OR OTHER FENCE MATERIAL SHALL BE DESIGNED AND CONSTRUCTED AROUND THE OUTSIDE OF THE EASEMENT(S), SO AS TO ALLOW THE DISTRICT DIRECT ACCESS FROM THE ADJACENT RIGHT-OF-WAY

EASEMENTS SHALL BE CLEARLY MARKED OR STAKED PRIOR TO THE START OF CONSTRUCTION

**(1) 1" & (1) 1-1/2" REDUCED PRESSURE PRINCIPLE ASSEMBLIES (RPPA)**

APPROVED REDUCED PRESSURE PRINCIPLE ASSEMBLY(S) SHALL BE INSTALLED PER THE UDACS PLATE NO. 11A. NO WATER SHALL BE TAKEN FROM A SERVICE REQUIRING BACKFLOW PREVENTION UNTIL THE REDUCED PRESSURE PRINCIPLE ASSEMBLY HAS BEEN SUCCESSFULLY TESTED BY THE LVVWD.

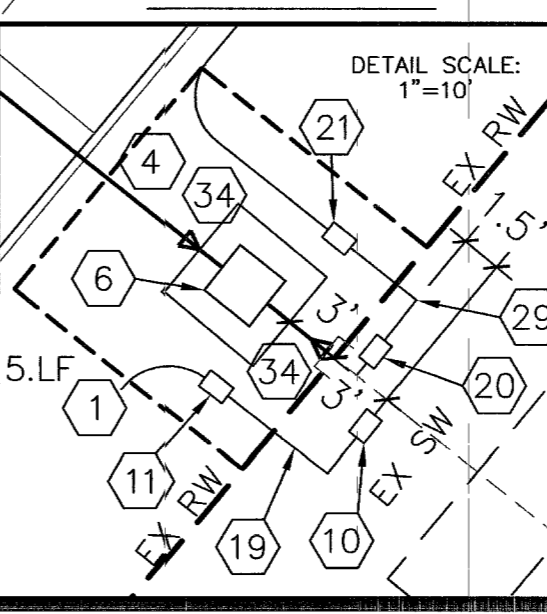
ANY BLOCK WALL OR OTHER FENCE MATERIAL SHALL BE DESIGNED AND CONSTRUCTED AROUND THE OUTSIDE OF THE EASEMENT(S), SO AS TO ALLOW THE DISTRICT DIRECT ACCESS FROM THE ADJACENT RIGHT-OF-WAY

EASEMENTS SHALL BE CLEARLY MARKED OR STAKED PRIOR TO THE START OF CONSTRUCTION

PROJECT NAME: Durango Square

This project water plan complies with the Las Vegas Valley Water District's technical requirements. However, this water plan is NOT APPROVED FOR CONSTRUCTION at this time and this signature does not provide or imply a water commitment.

DATE: 4/5/06



**BENCHMARK**

CITY OF LAS VEGAS BENCH MARK 0030 17566, RIVET AND SQUARE ALUMINUM PLATE IN TOP CENTER OF HEADWALL ON THE SOUTH SIDE OF U.S. 95 NEAR MILE MARKER 89.60 (OLD ELEVATION = 784.395m) NEW ELEVATION = 784.363m, 2573.36 FT. DESIGN ELEVATIONS ON THESE PLANS ARE BASED ON THE OLD BENCHMARK ELEVATION (OLD ELEVATION = NEW ELEVATION + 0.10' FT.)

**BASIS OF BEARING**

BEING THE NORTH LINE OF THE SOUTH HALF (S 1/2) OF THE NORTHEAST QUARTER (NE 1/4) OF SECTION 17, T 19 S., R. 60 E., M.D.M., AS SHOWN ON PARCEL MAP IN FILE 97, PAGE 1 OFFICIAL RECORDS, CLARK COUNTY, NEVADA, BEARING NORTH 89°49'16" WEST

Call before you dig

1-800-227-2600

UNDERGROUND SERVICE (USA)

Call before you dig

1-702-593-6111

MARK WARLING, CIVIL ENGINEER

9101 W. Sahara Ave., # 105-L8  
Las Vegas, Nevada 89117  
(702) 869-6275

Durango Square  
North corner Durango Dr. and El Capitan Way  
City of Las Vegas, Nevada

Site Utility Plan

DESIGNED BY: MARK WARLING  
DRAFTED BY: MARK WARLING  
CHECKED BY: MARK WARLING  
DATE: MAY 7, 2006  
SCALE: 1"=30'

PROFESSIONAL ENGINEER - CIVIL  
MARK WARLING  
No. 06538

SHEET U1  
4 OF 6 SHEETS  
DRAWING NO. 107-14647