

DATE: 5-23-01

DATE: 08-15-01

DATE: 08-15-01

DATE: 08-15-01

DATE: 08-15-01

DATE: 08-15-01

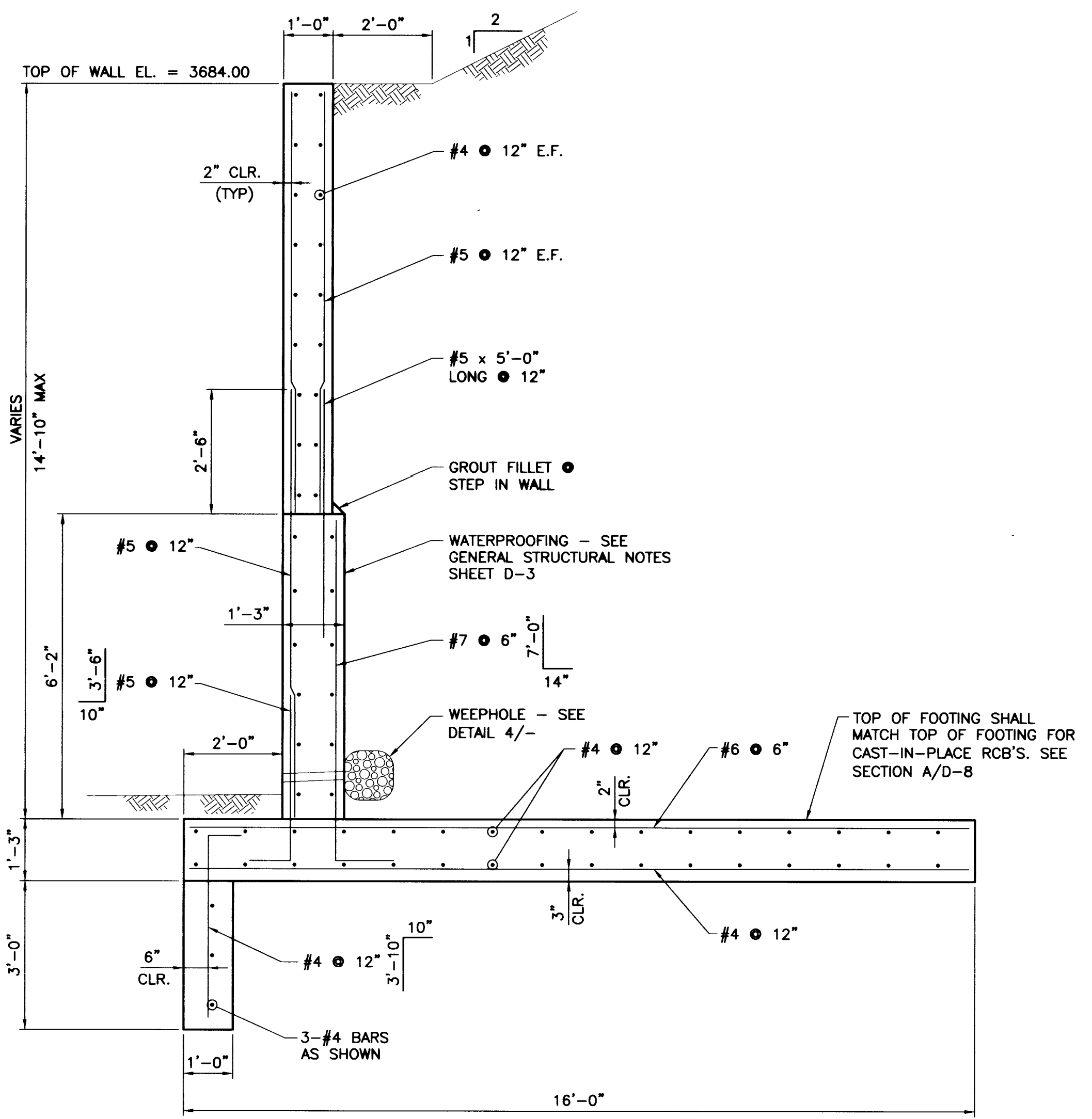
DATE: 08-15-01

DATE: 08-15-01

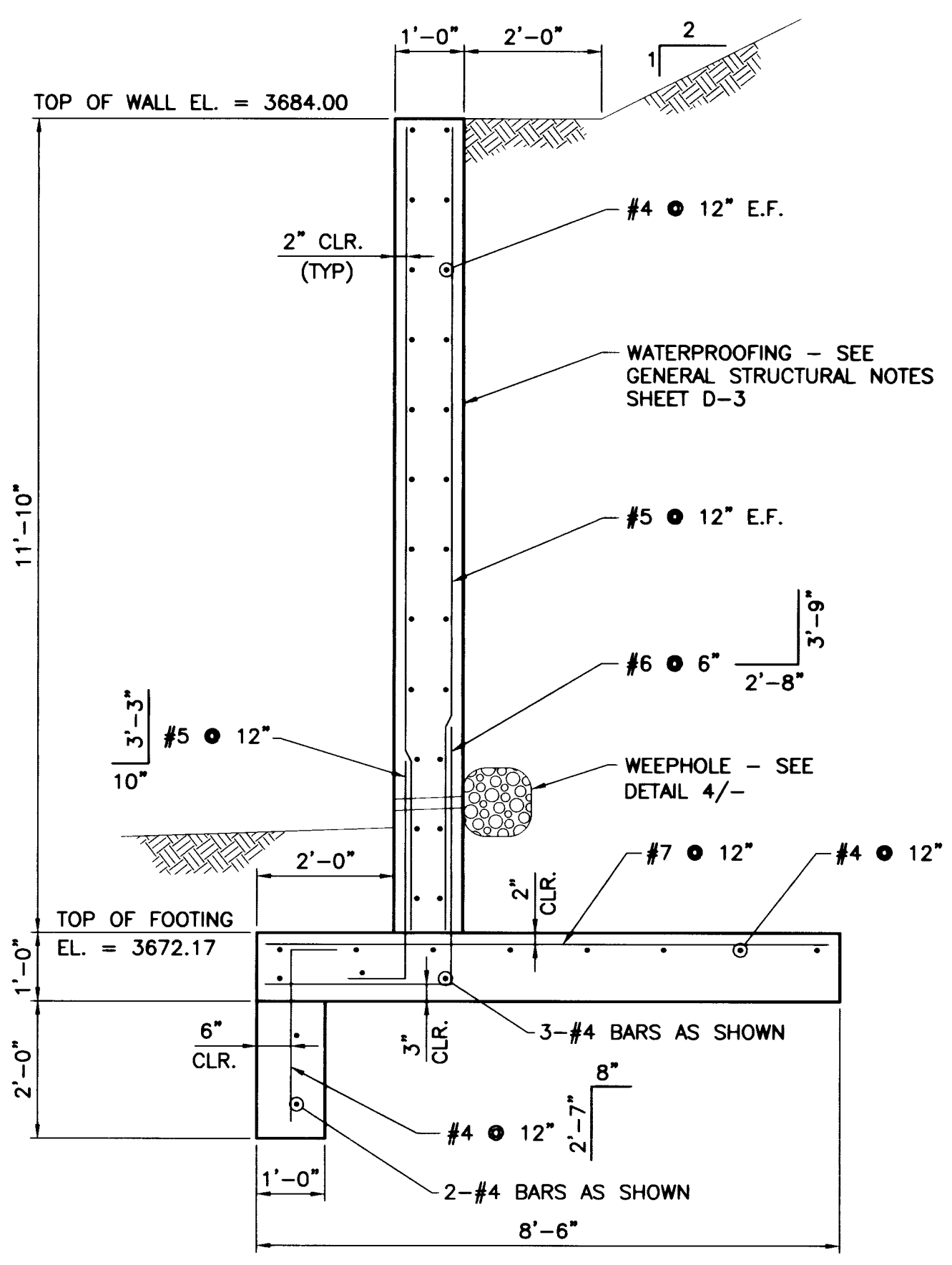
DATE: 08-15-01

DATE: 08-15-01

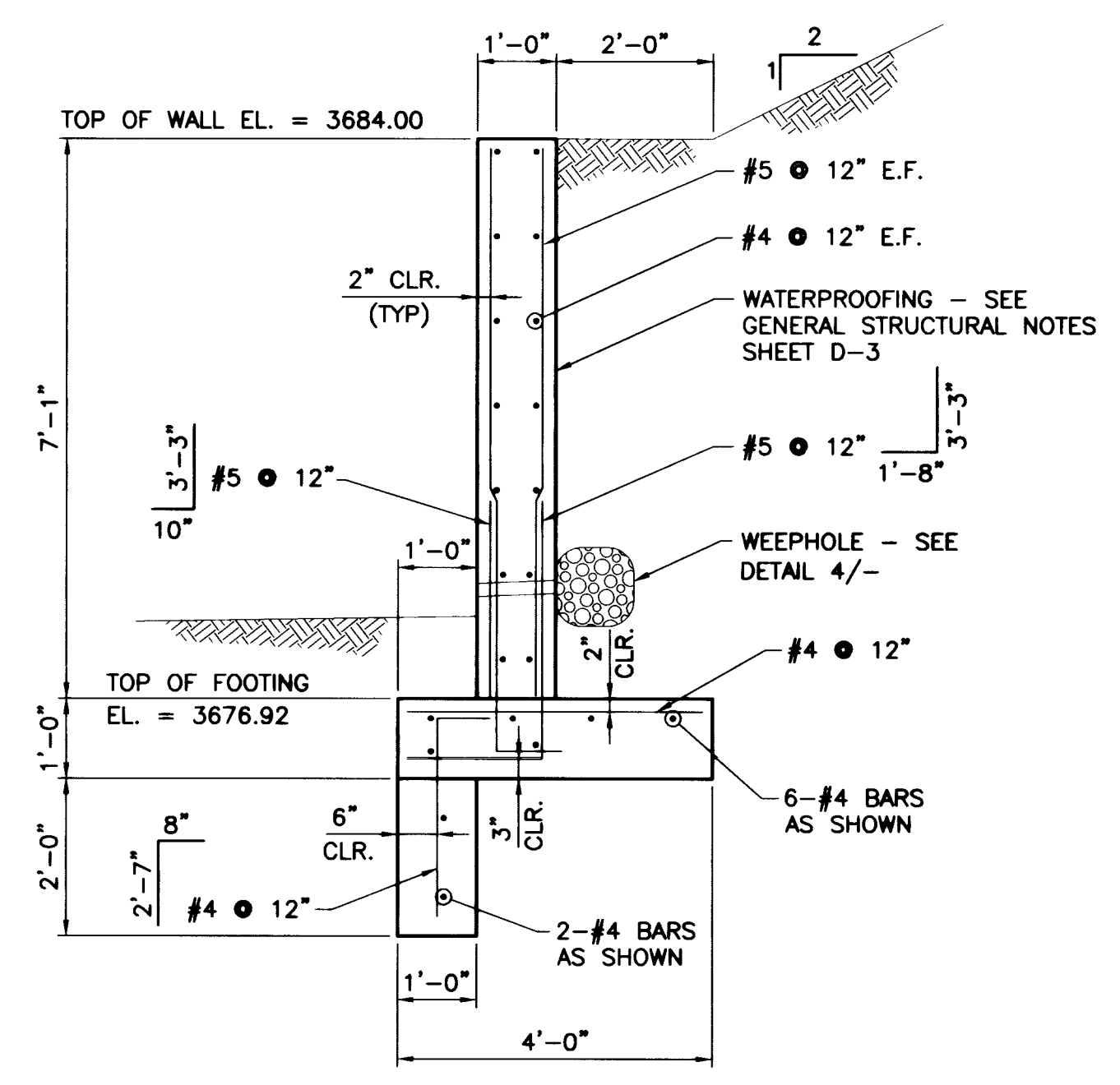
DATE: 08-15-01



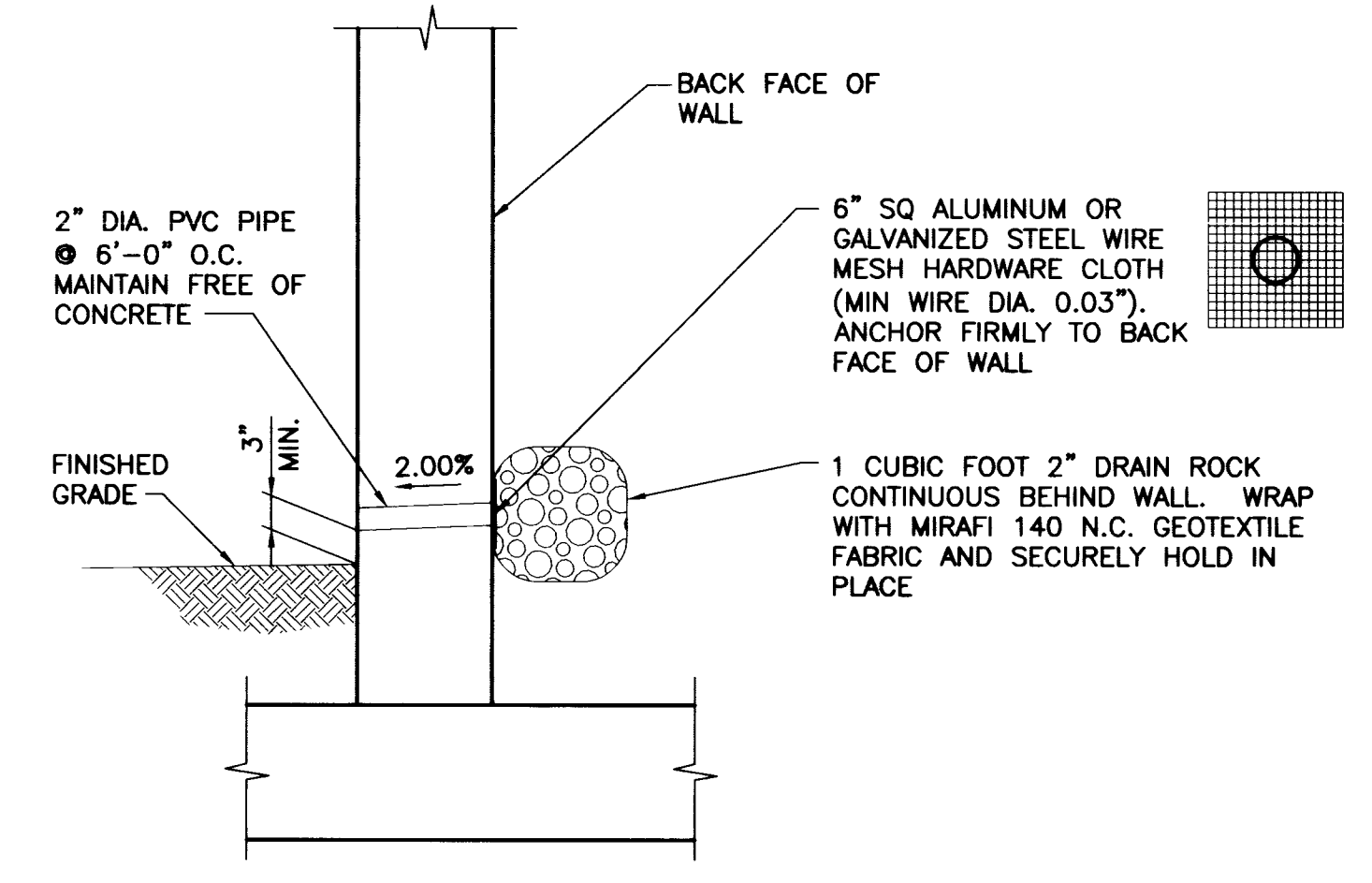
SECTION A
1/2" = 1'-0"



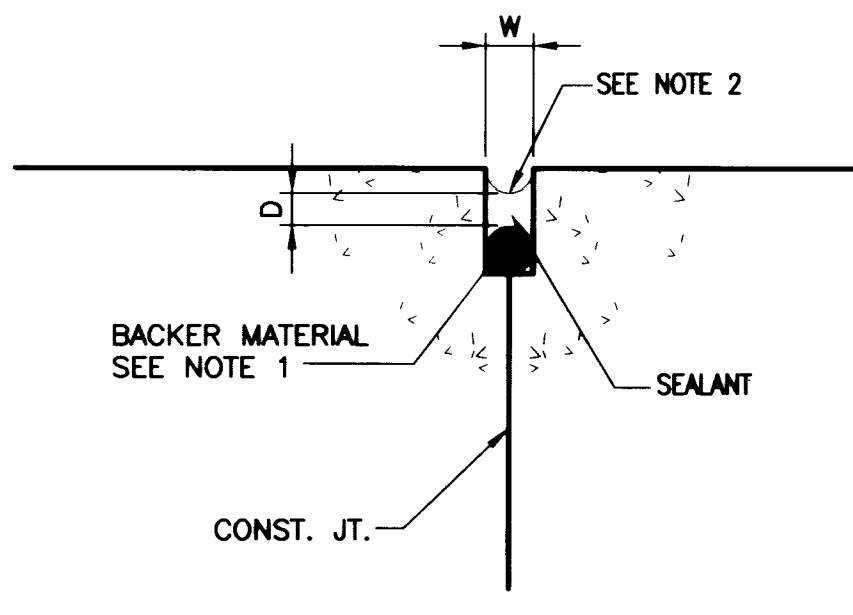
SECTION B
1/2" = 1'-0"



SECTION C
1/2" = 1'-0"



DETAIL 4
1/2" = 1'-0"

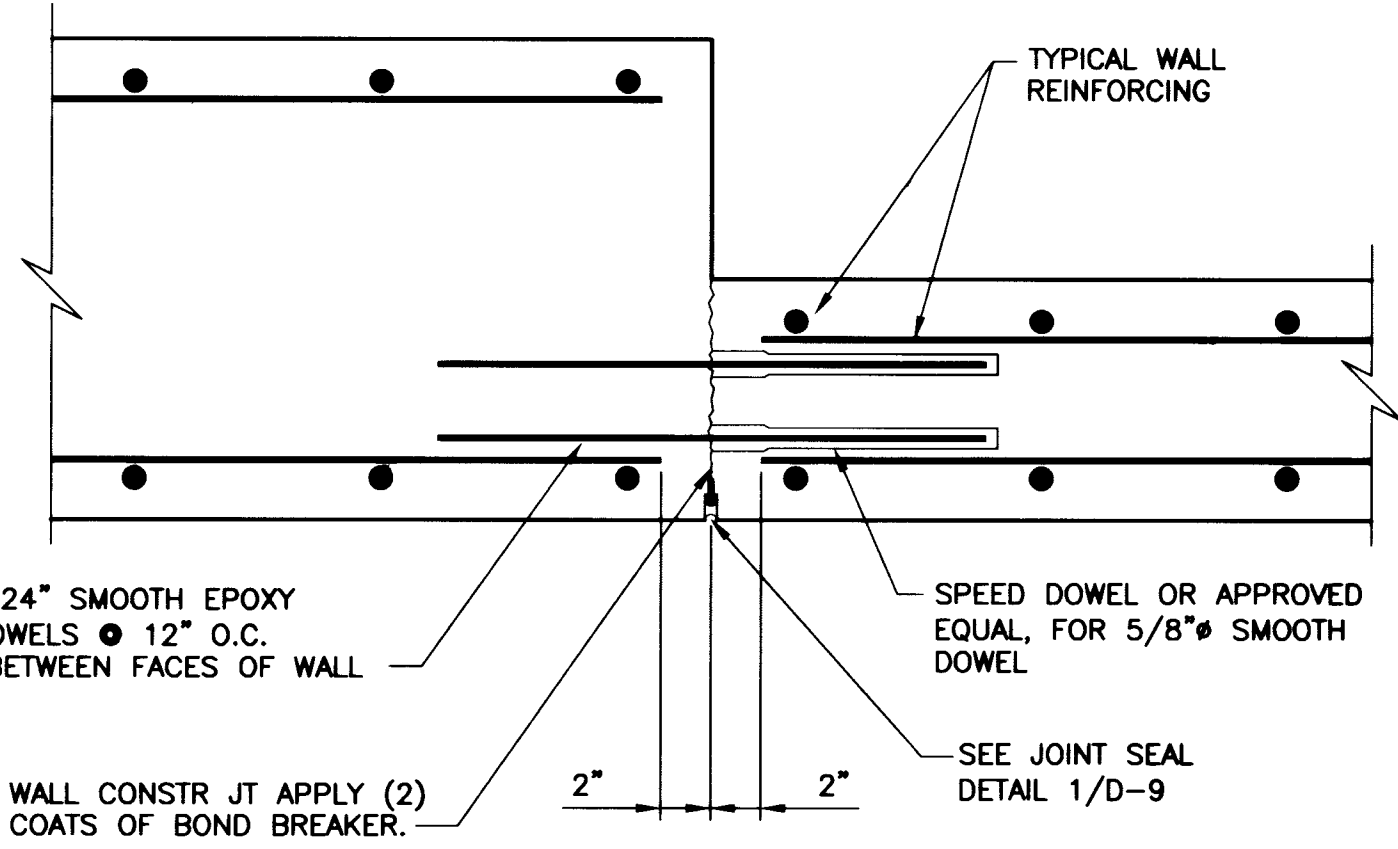


W = WIDTH OF SEALANT RESERVOIR 1/2" MIN. TO 3/4" MAX FOR CONSTRUCTION JT.
D = DEPTH OF SEALANT, 1/2 TO 1 TIMES WIDTH

NOTES:

- BACKER MATERIAL REQUIRED TO PREVENT JOINT SEALANT FROM FLOWING INTO JOINT BELOW.
- TOP OF SEALANT WILL BE 3/16" TO 3/8" BELOW TOP OF CONCRETE SURFACE.

JOINT SEAL DETAIL 1
3" = 1'-0"

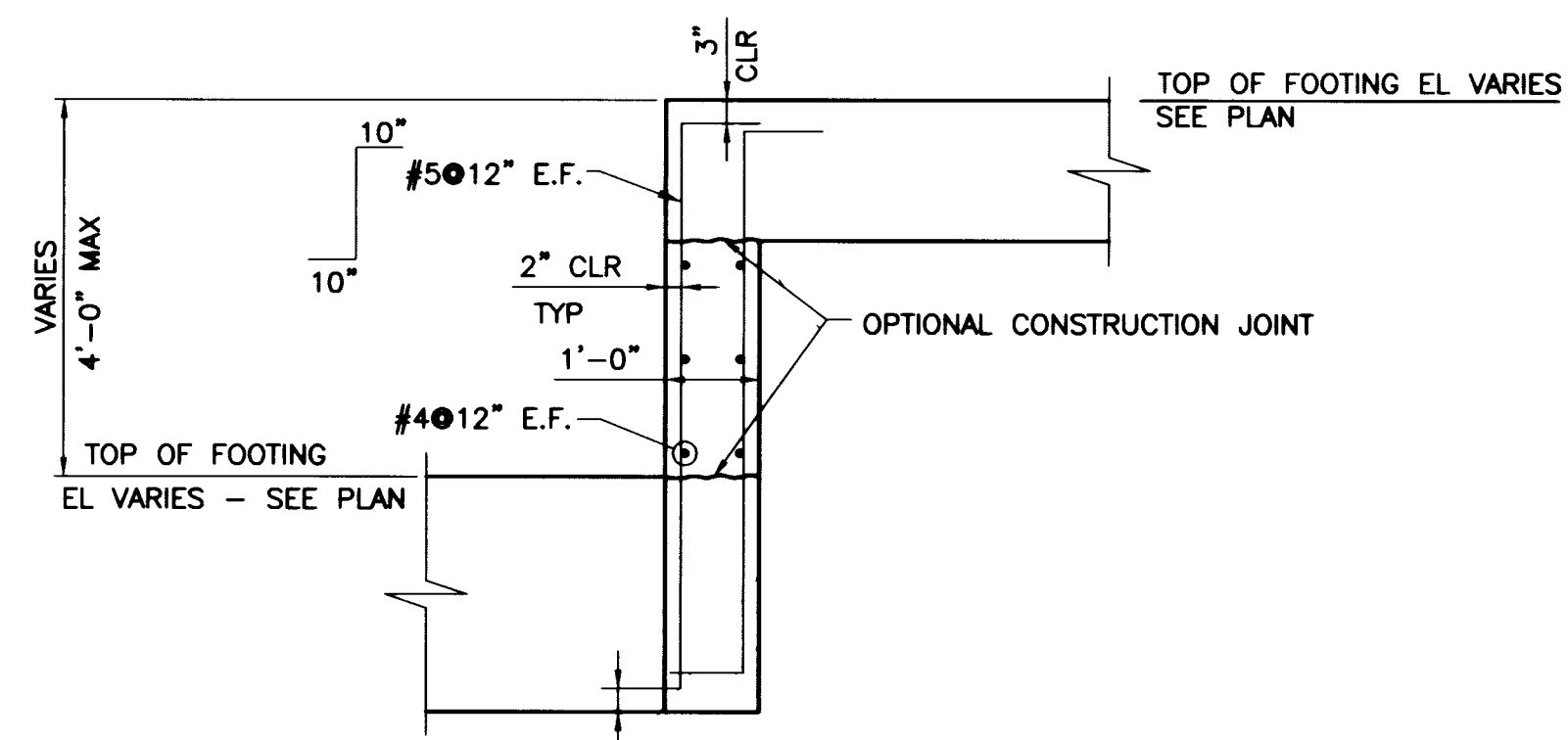


5/8" x 24" SMOOTH EPOXY COATED DOWELS @ 12" O.C. STAGGER BETWEEN FACES OF WALL.

WALL CONST JT APPLY (2) COATS OF BOND BREAKER.

NOTE:
WALL SEALANT GROOVE CONTINUOUS FROM TOP OF FOOTING TO TOP OF WALL.

VERTICAL CONST JOINT 2
1 1/2" = 1'-0"



STEPPED FOOTING 3
1 1/2" = 1'-0"

G. C. WALLACE, INC.
Engineering/Architecture
1355 SOUTH PANDORA BLVD./LAS VEGAS, NEVADA 89146
(702) 864-2299
G:\62052-307\dwg\improv2\085_0009.dwg

THE HOWARD HUGHES CORPORATION
DETENTION BASIN NO. 5 EXPANSION AND DIVERSION BEAM
DIVERSION CULVERT
SECTIONS AND DETAILS

SHEET
D-9
24 OF 24 SHTS