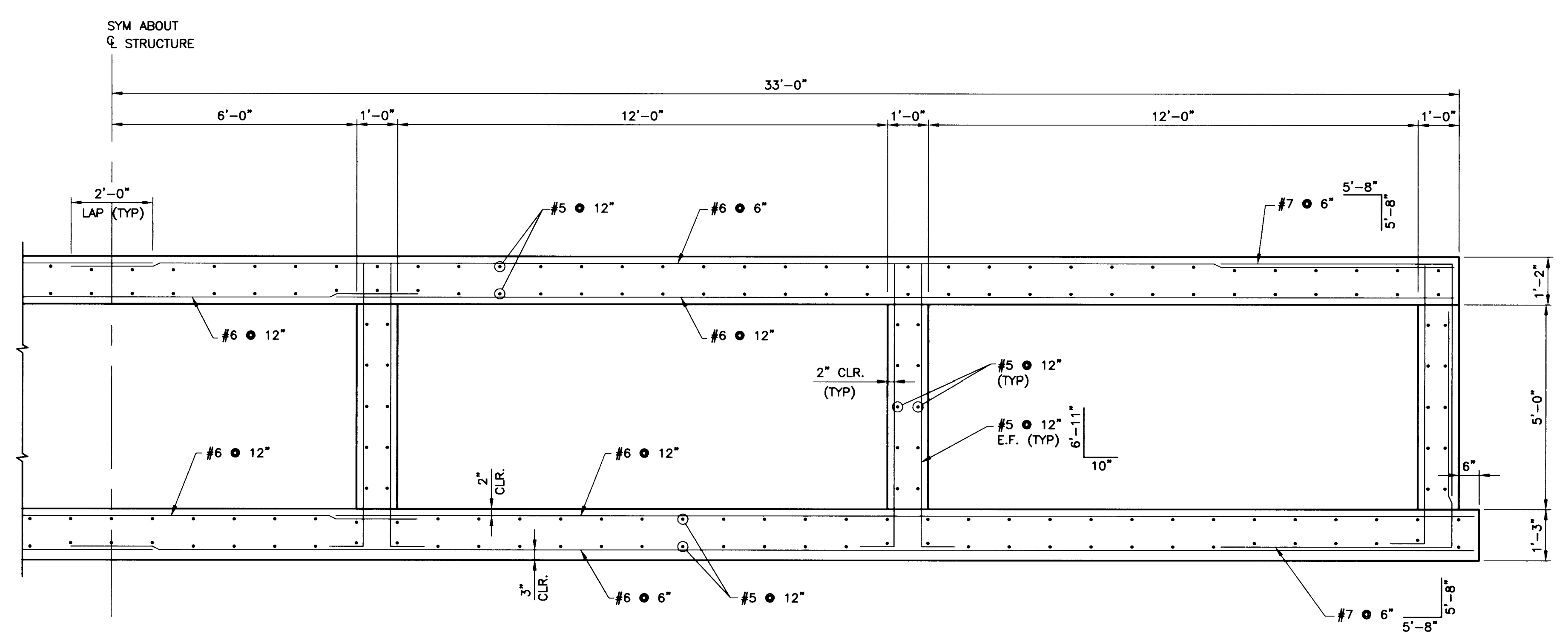
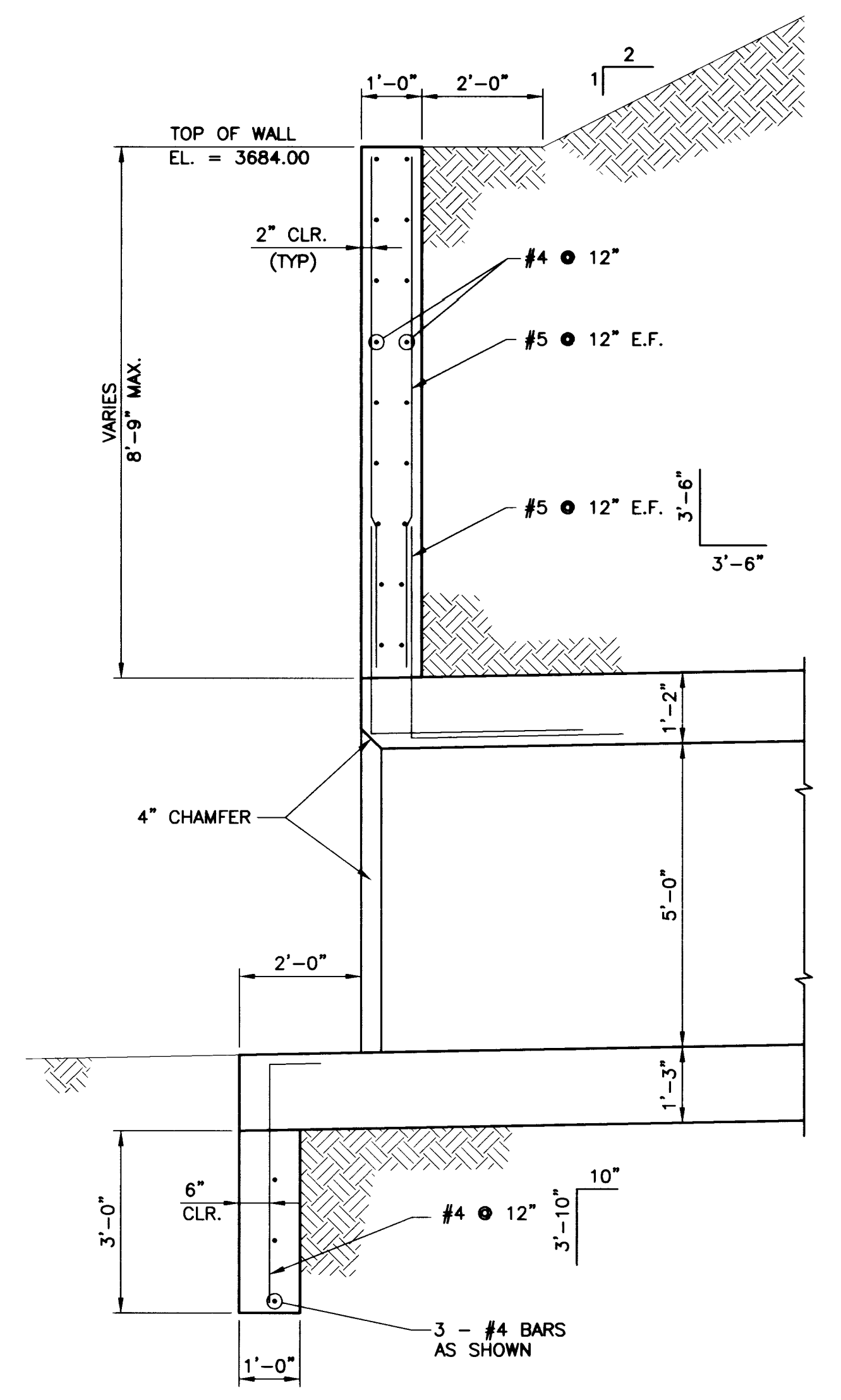


**SECTION A**  
1/4" = 1'-0"



**SECTION B**  
1/2" = 1'-0"



**SECTION C**  
1/4" = 1'-0"

NOTE: FOR GENERAL STRUCTURAL NOTES, SEE SHEET D-3.

DESIGN: EGG	NO.	DATE: 08.30.07
DRAWN: NO		
CHECK: _____		
ISSUE DATE: 05.23.07		
ISSUE EDITOR: _____		
PLOT DATE: 05.23.07		
PLOT TIME: 08.32.42		
REV. DATE		
DESCRIPTION		
<p><b>G. C. WALLACE, INC.</b> Engineering/Architecture 1700 W. LAS VEGAS BLVD., SUITE 200 LAS VEGAS, NEVADA 89106 TEL: (702) 734-1000 FAX: (702) 734-2259 G:\62052-307\Views\Impres\2\085_0008.dwg</p>		
<p><b>THE HOWARD HUGHES CORPORATION</b> DETENTION BASIN NO. 5 EXPANSION AND DIVERSION BEAM DIVERSION CULVERT SECTIONS AND DETAILS</p>		
SHEET		
<b>D-8</b>		
23 OF 24 SHTS		