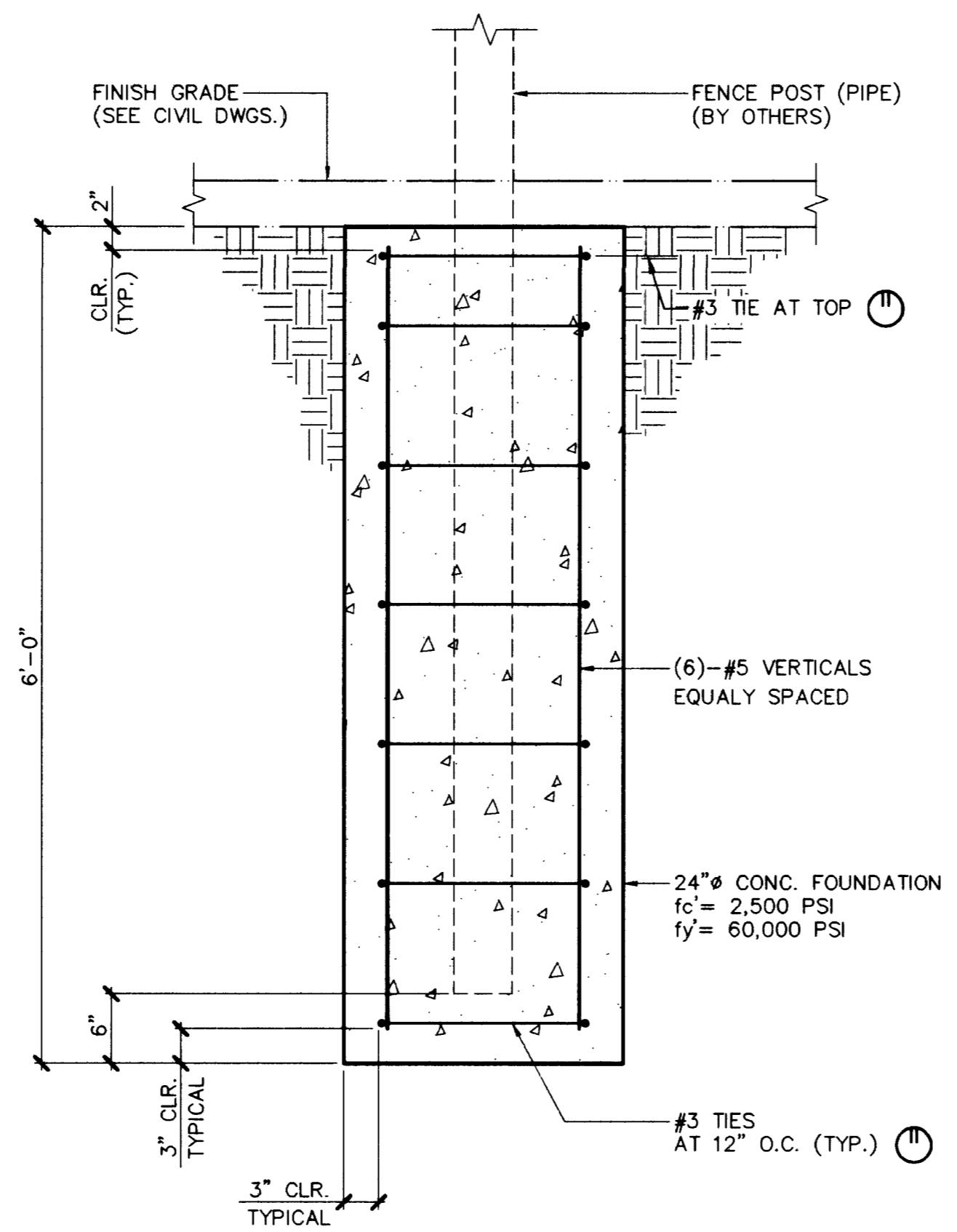
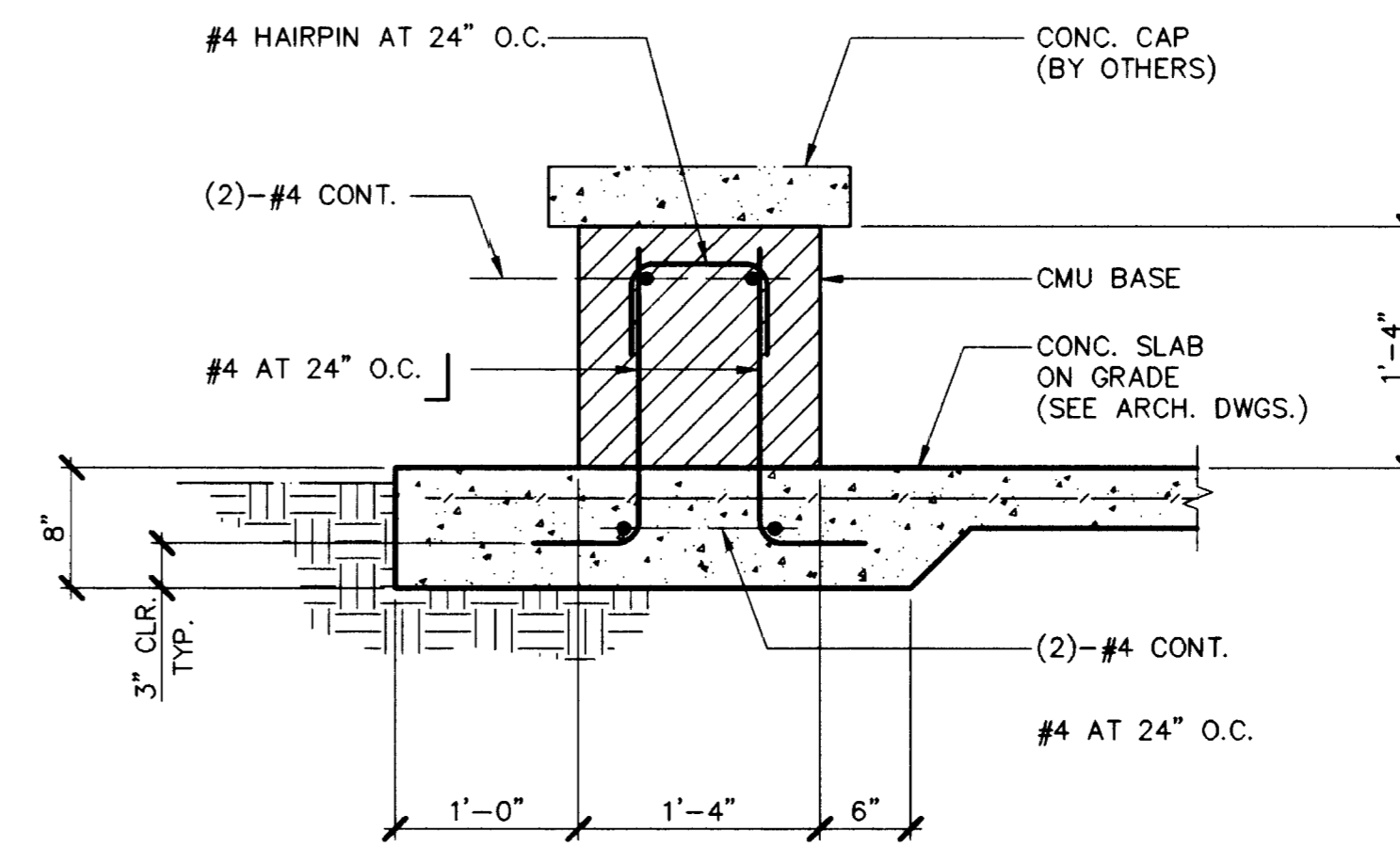


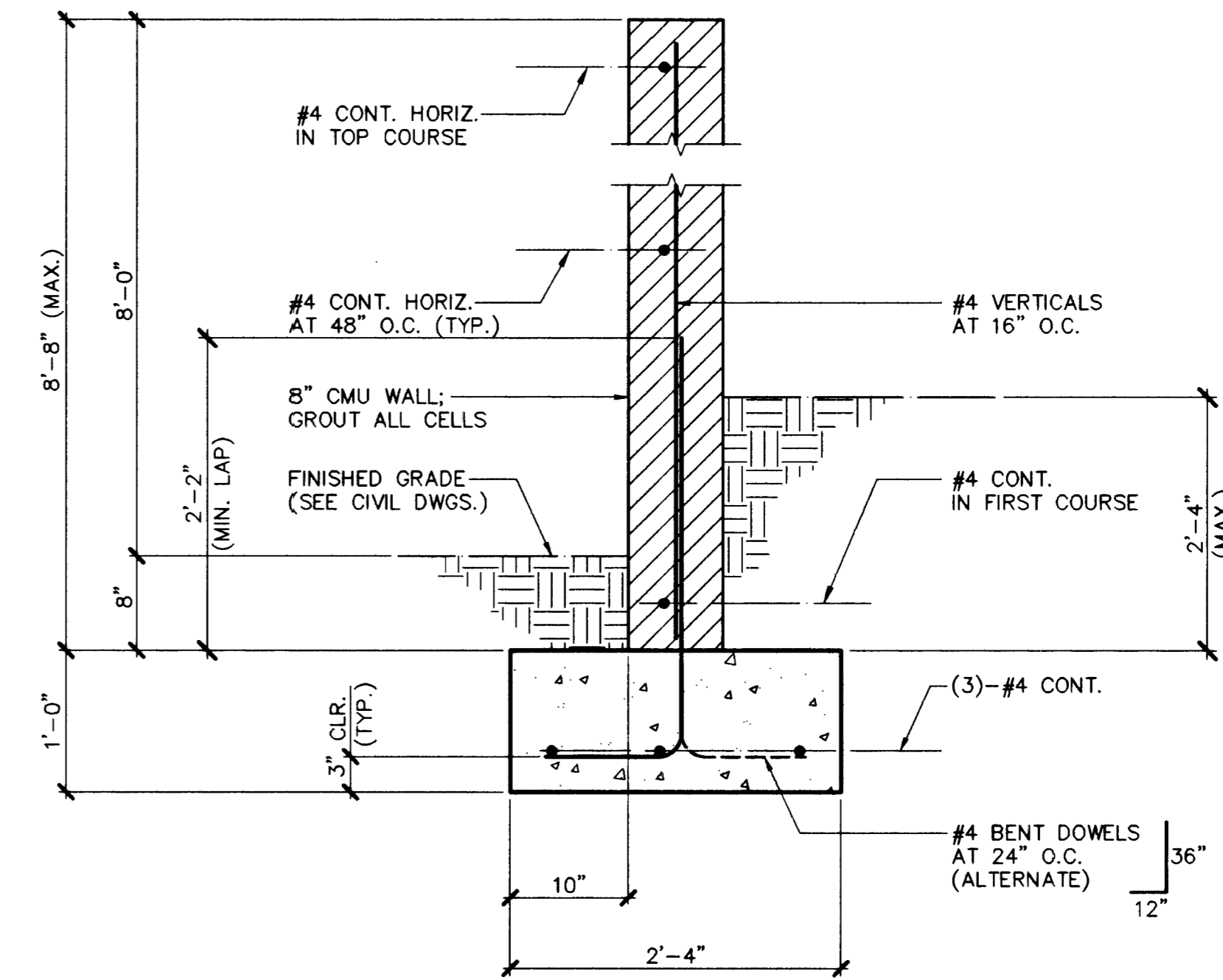
4 36'-0" GATE FOUNDATION 1" = 1'-0"



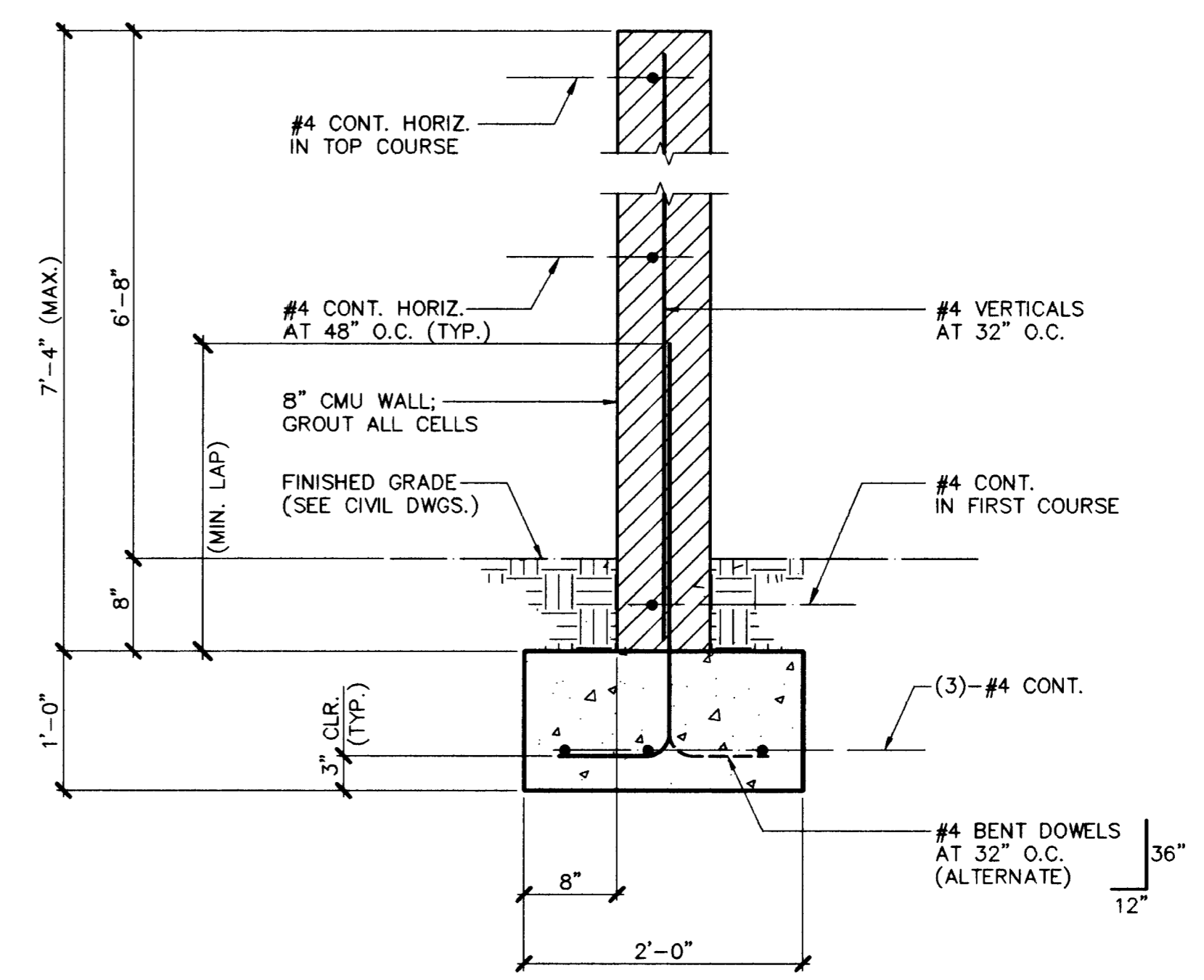
5 22'-0" GATE FOUNDATION 1" = 1'-0"



1 TYPICAL BENCH 1" = 1'-0"



2 SCREEN WALL FOR ELECTRICAL ENCLOSURE 1" = 1'-0"



3 SCREEN WALL FOR TRASH ENCLOSURE 1" = 1'-0"



REVISIONS 3-20-02  
 RECORD DRAWINGS



DEPARTMENT OF PUBLIC WORKS  
 ELKHORN SPRINGS  
 NEIGHBORHOOD PARK  
 BUFFALO DRIVE

RECORD DRAWING  
 THIS RECORD DRAWING PREPARED BY R.L. BALOGH CONSULTING ENGINEERS, INC. IS BASED ON INFORMATION PROVIDED BY OTHERS. R.L. BALOGH CONSULTING ENGINEERS, INC. HAS NOT VERIFIED THE ACCURACY AND/OR COMPLETENESS OF THIS INFORMATION SUPPLIED BY OTHERS, AND SHALL NOT BE RESPONSIBLE FOR ANY ERRORS OR OMISSIONS WHICH MAY BE INCORPORATED HEREIN AS A RESULT.

DEPARTMENT OF PUBLIC WORKS  
 ARCHITECTURAL SERVICES  
 400 EAST STEWART AVENUE  
 LAS VEGAS, NEVADA 89101  
 PHONE: (702) 229-4533  
 FAX: (702) 582-3232  
 TDD: (702) 586-9108

STRUCTURAL ENGINEER  
 RICHARD L. BALOGH, P.E., S.E.  
 DRAWN: PYE  
 FILE: CT.15301.16  
 650.64  
 DATE: MARCH 9, 2001  
 SCALE: 1"=1'-0"  
 PROJECT: 00056  
 SHIT NO: 70 OF 90

S3.2