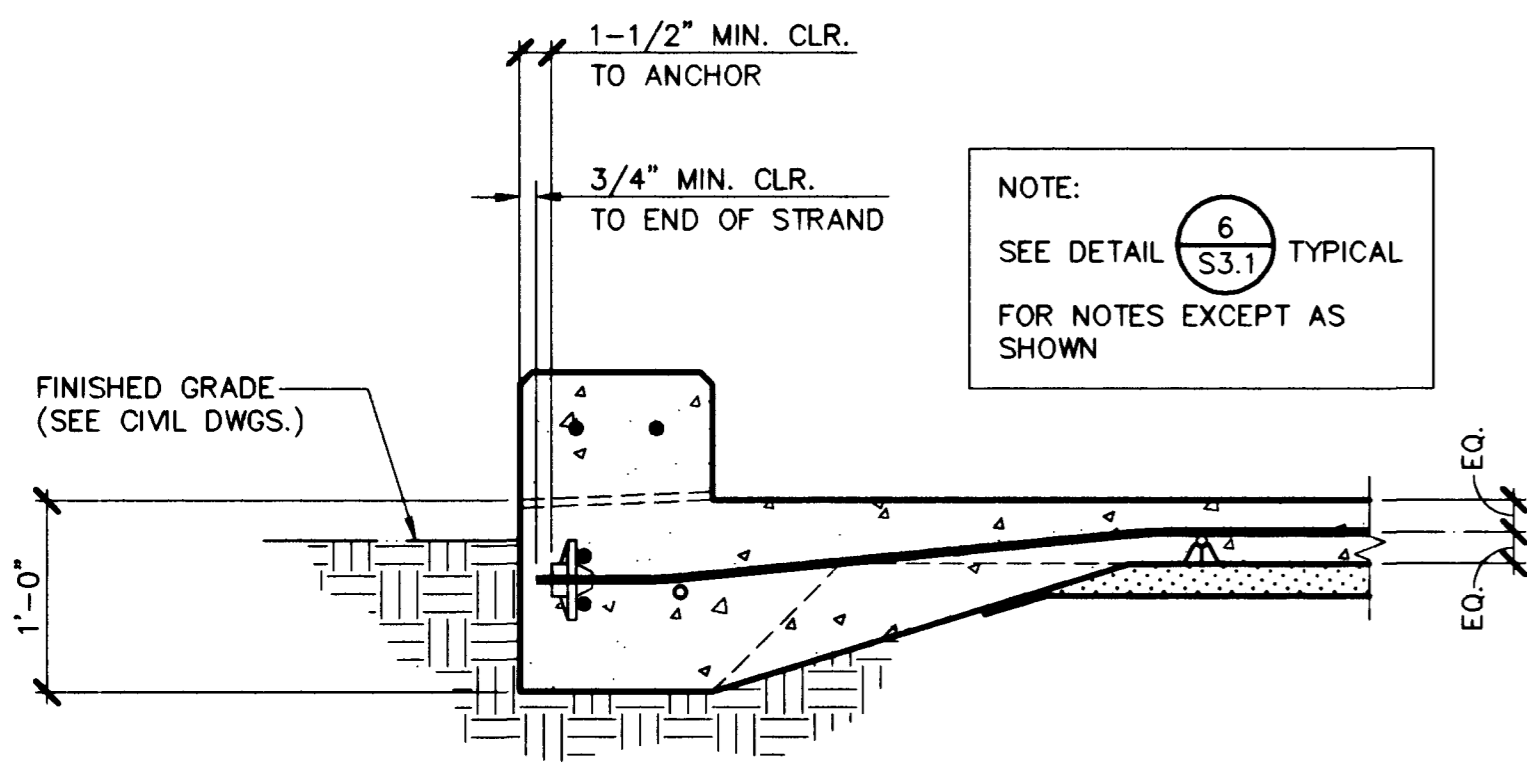


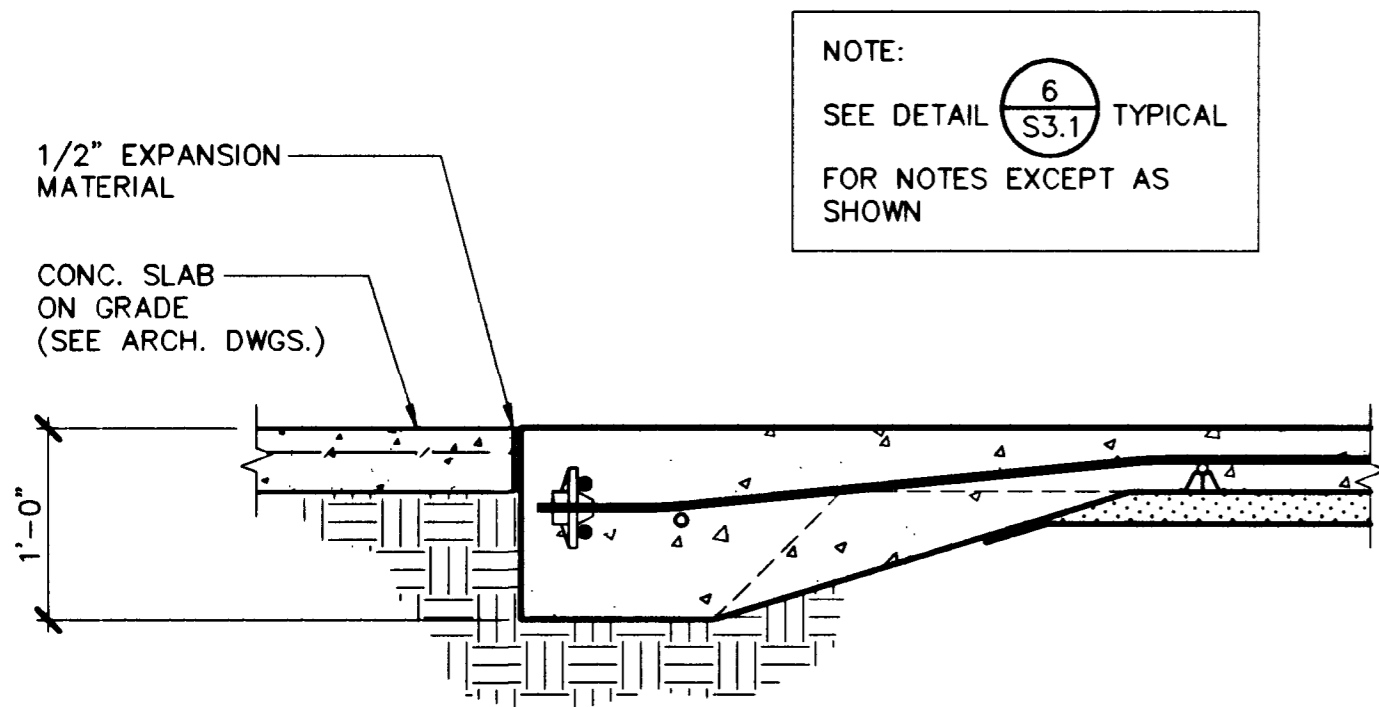
TYPICAL STRESSING END ANCHORAGE

6 DETAIL 1" = 1'-0"



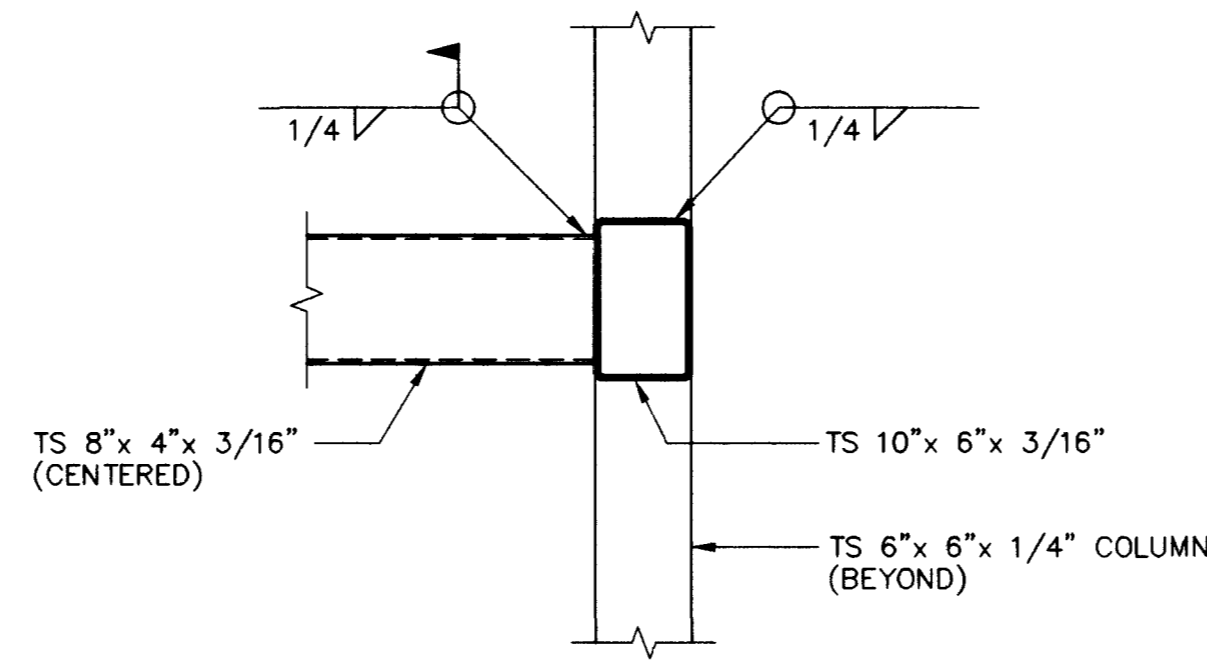
TYPICAL FIXED END ANCHORAGE

7 DETAIL 1" = 1'-0"

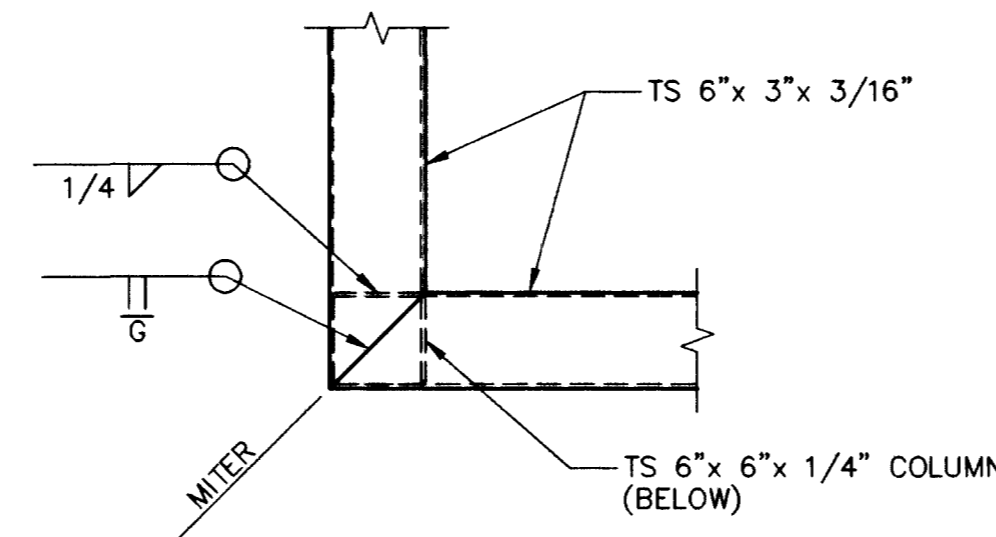


TYPICAL END AT BASKETBALL COURT (FIXED END SHOWN, STRESSING END SIMILAR)

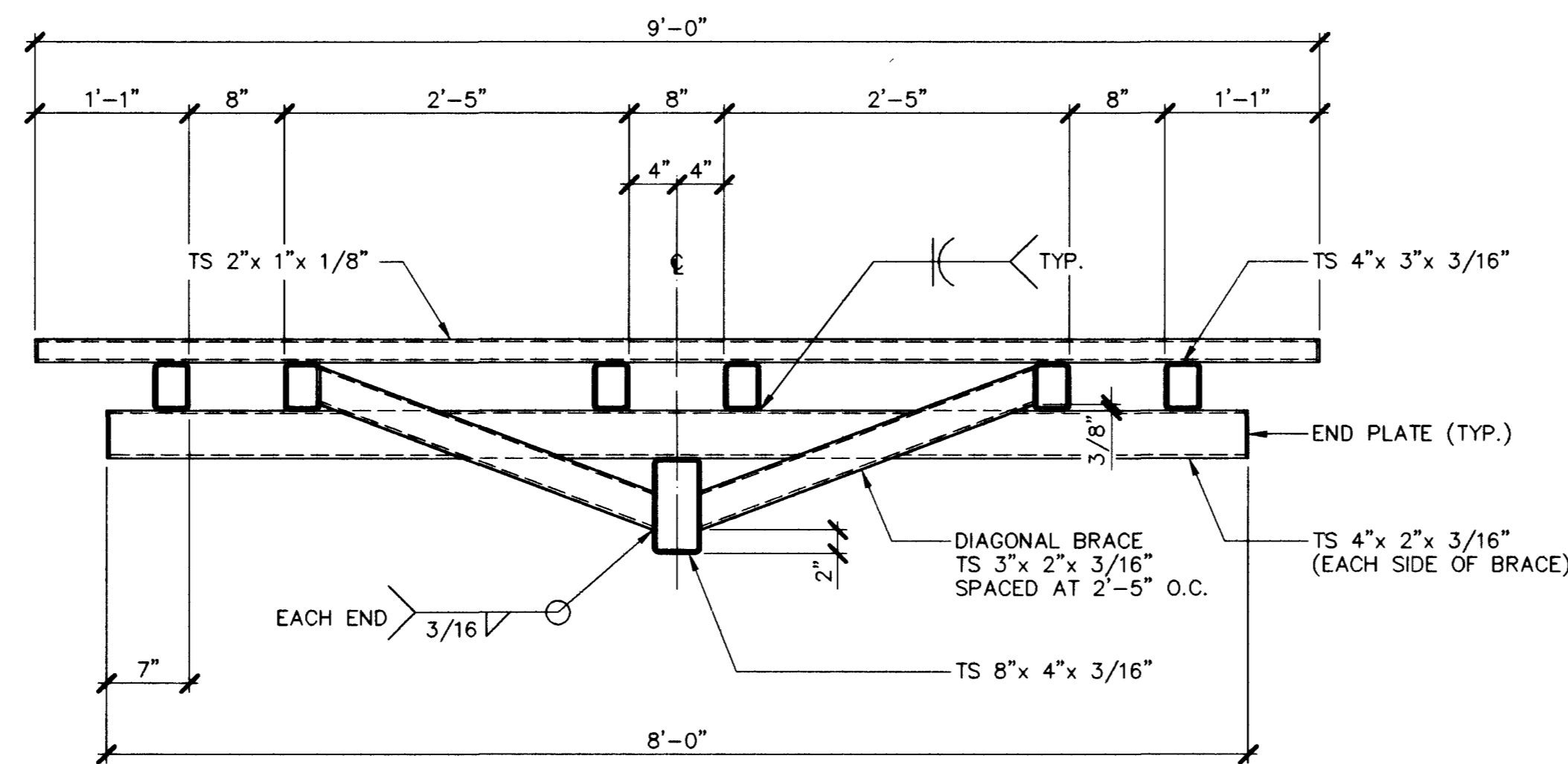
8 TYPICAL DETAIL 1" = 1'-0"



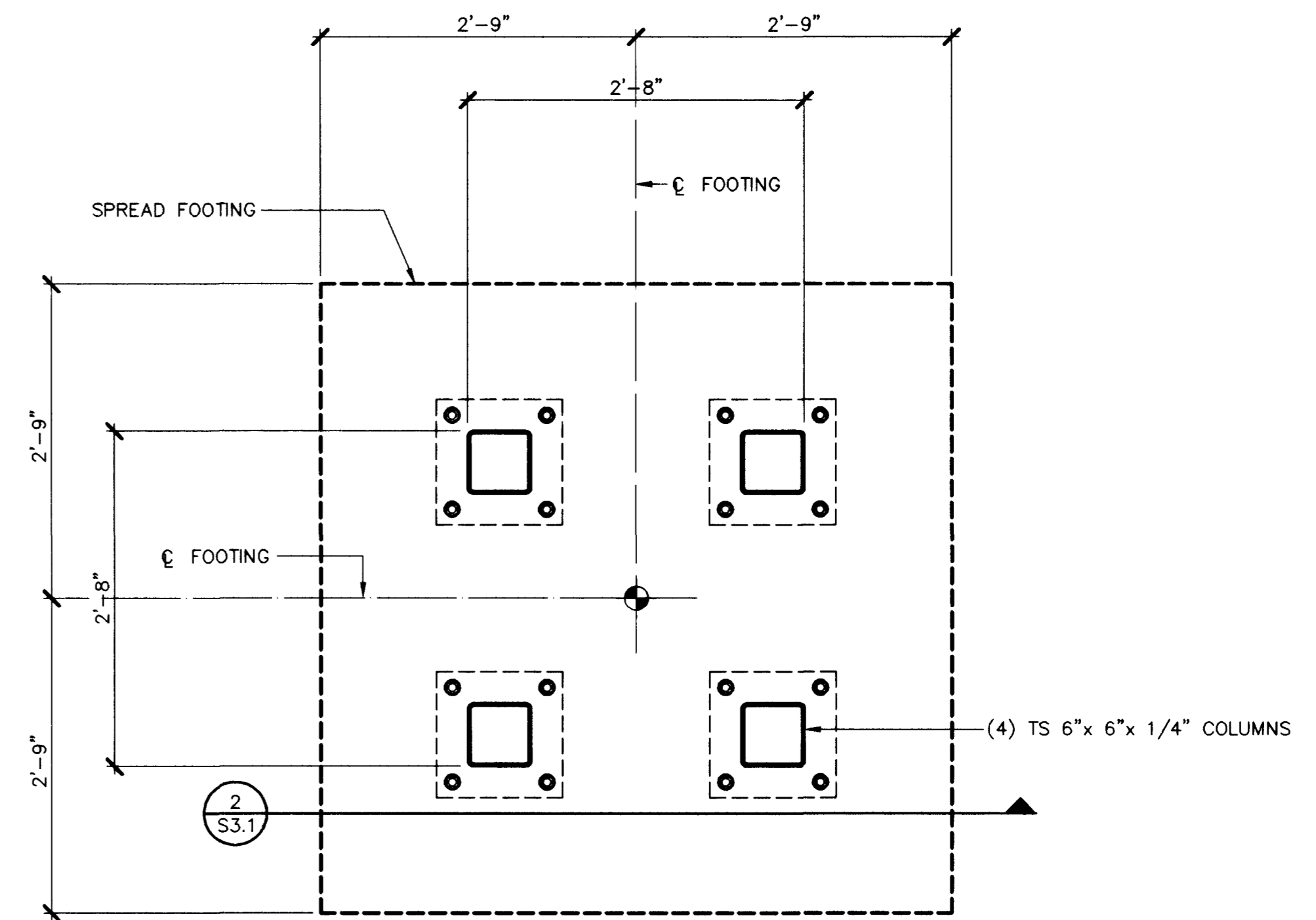
3 TYPICAL DETAIL 1" = 1'-0"



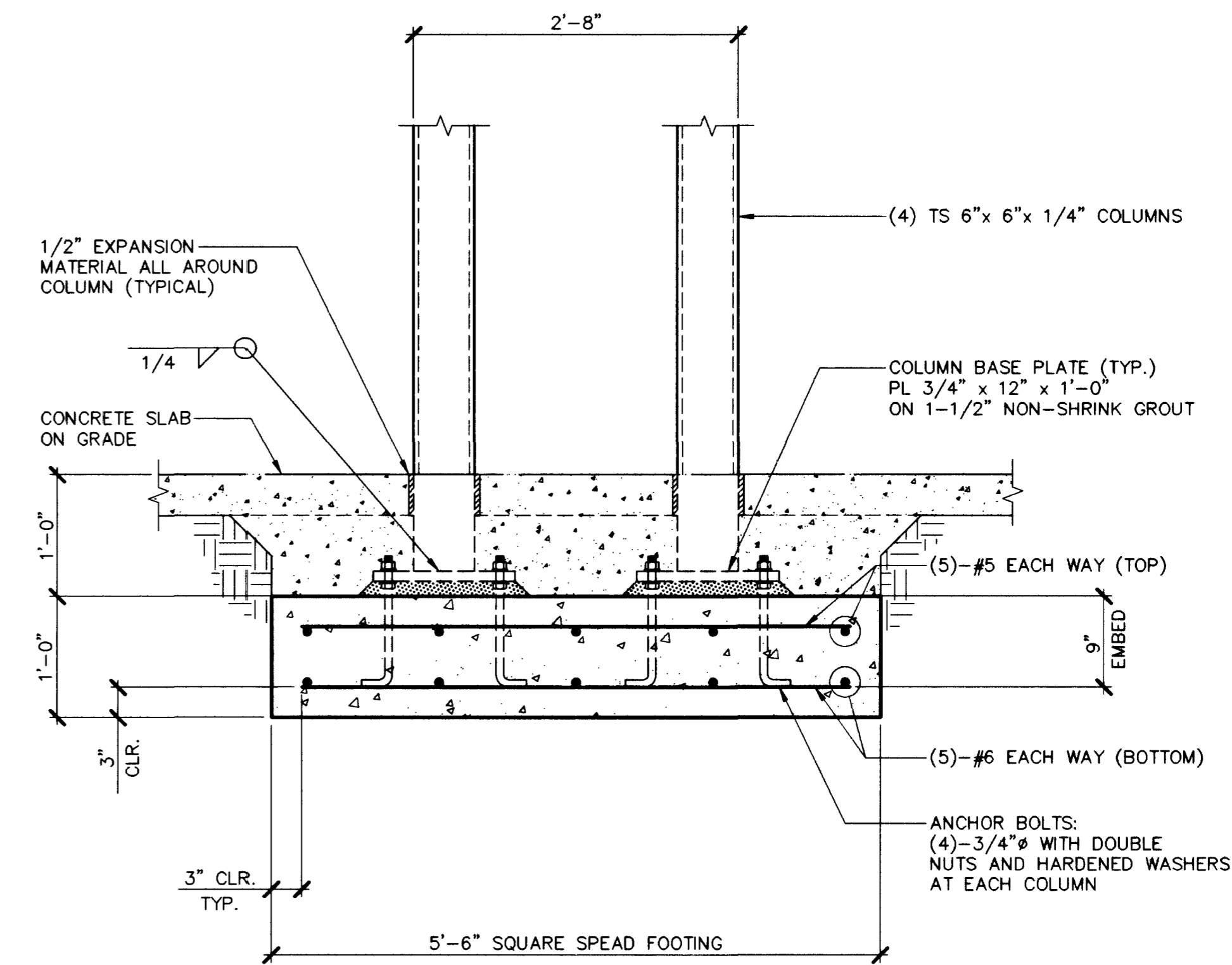
4 PLAN DETAIL 1" = 1'-0"



5 TYPICAL DETAIL 1" = 1'-0"



1 PLAN DETAIL 1" = 1'-0"

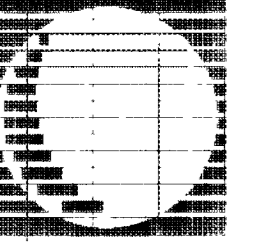


2 DETAIL 1" = 1'-0"



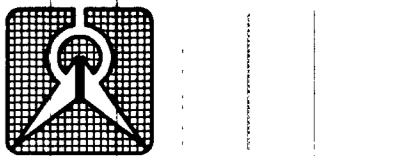
REVISIONS 3-20-02 RECORD DRAWINGS

CONSULTANT



LUCCHESI GALATI

300 PILOT ROAD, SUITE A LAS VEGAS, NEVADA 89102 (702) 263-7711



R. L. BALOGH CONSULTING ENGINEERS, INC. 2000 South Rainbow Boulevard, Suite 302 Las Vegas, Nevada 89102 (702) 248-8700 FAX (702) 248-8704

ELKHORN SPRINGS NEIGHBORHOOD PARK BUFFALO DRIVE

DETAILS

RECORD DRAWING PREPARED BY R.L. BALOGH CONSULTING ENGINEERS, INC. CHECKED BY RICHARD L. BALOGH, P.E., S.E. ENGINEER, INC. HAS NOT REVIEWED THE ACCURACY AND/OR COMPLETENESS OF THIS INFORMATION SUPPLIED BY OTHERS, AND SHALL NOT BE RESPONSIBLE FOR ANY ERRORS OR OMISSIONS WHICH MAY BE INCORPORATED HEREIN AS A RESULT.

DEPARTMENT OF PUBLIC WORKS ARCHITECTURAL SERVICES

400 EAST STEWART AVENUE LAS VEGAS, NEVADA 89103 PHONE: (702) 229-4535 FAX: (702) 382-3232

STRUCTURAL ENGINEER RICHARD L. BALOGH, P.E., S.E.

DRAWN BY YE

FILE # 15301.16

DATE MARCH 9, 2001

SCALE 1" = 1'-0"

PROJECT 00058

SHT NO. 69 OF 90

S3.1

48279