



REVISIONS 3-20-02
RECORD DRAWINGS

CONSULTANT
LUCCHESI GALATI
ARCHITECTS
800 PILOT ROAD, SUITE A
LAS VEGAS, NEVADA 89101
(702) 263-7711

R. L. BALOGH
CONSULTING ENGINEERS, INC.
2000 South Rainbow Boulevard, Suite 202
Las Vegas, Nevada 89108
(702) 248-6700 FAX (702) 248-6700

**ELKHORN SPRINGS
NEIGHBORHOOD PARK
BUFFALO DRIVE
ROLLER HOCKEY COURT
FOUNDATION PLAN**

RECORD DRAWING
THIS RECORD DRAWING PREPARED BY:
R. L. BALOGH CONSULTING ENGINEERS, INC.
IS BASED ON INFORMATION PROVIDED BY
OTHERS. IT IS NOT TO BE USED FOR
CONSTRUCTION UNLESS THE USER
CONFIRMS THE ACCURACY AND/OR COMPLETENESS
OF THIS INFORMATION SUPPLIED BY
OTHERS, AND SHALL NOT BE RESPONSIBLE
FOR ANY ERRORS OR OMISSIONS
WHICH MAY BE INCORPORATED HEREIN
AS A RESULT.

DEPARTMENT OF PUBLIC WORKS
ARCHITECTURAL SERVICES
400 EAST STEWART AVENUE
LAS VEGAS, NEVADA 89101
PHONE: (702) 229-5335
FAX: (702) 382-3232
DOI: (702) 386-9108

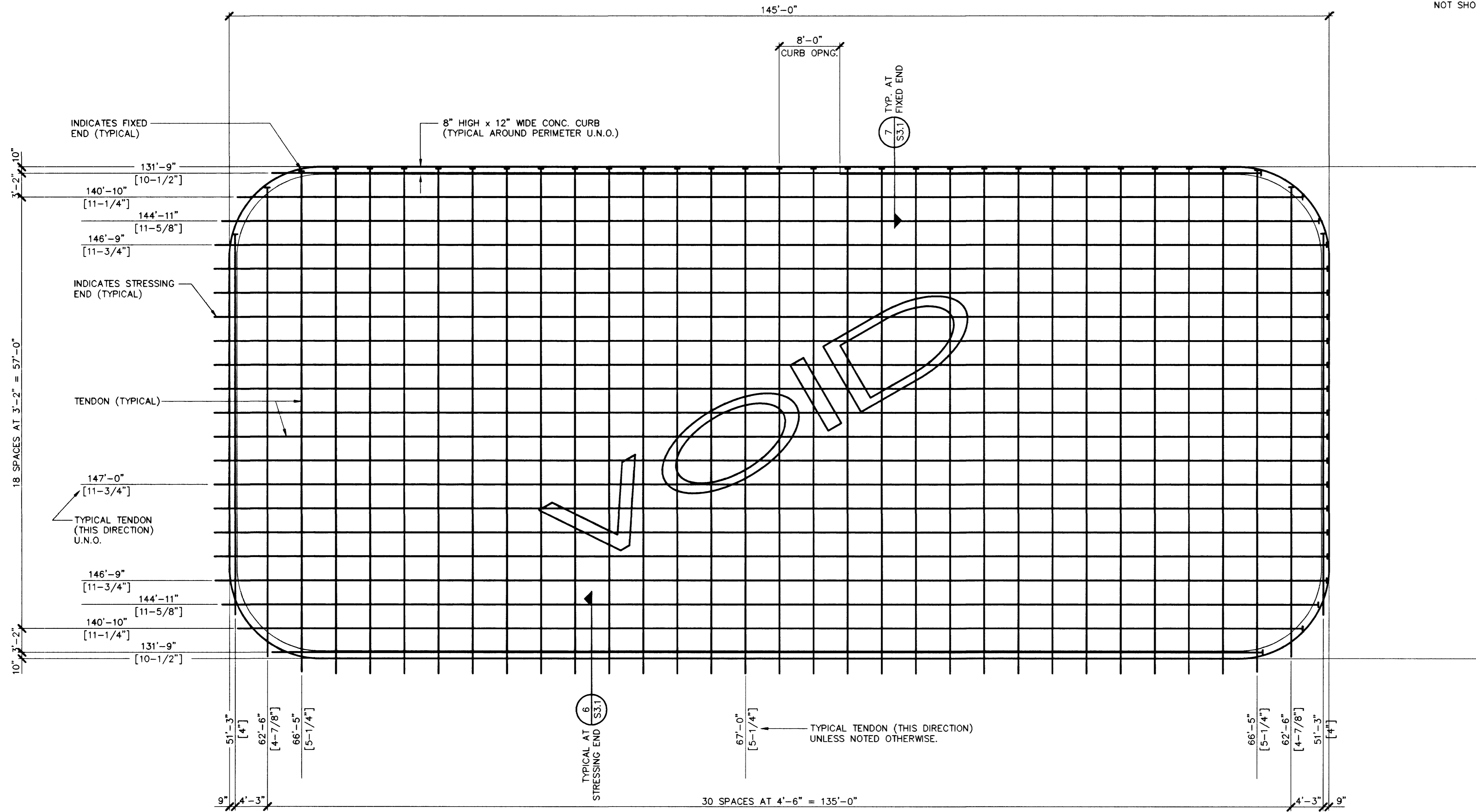
STRUCTURAL ENGINEER
RICHARD L. BALOGH, P.E., S.E.

DRAWN: RYE
FILE: 01.15301-14
650.64
DATE: MARCH 9, 2001
SCALE: 1/8" = 1'-0"
PROJECT: 00056
SHT NO: 66 OF 90

S2.1

POST-TENSIONING NOTES:

1. REFER TO GENERAL STRUCTURAL NOTES SECTION D. FOR POST-TENSIONING NOTES.
2. SEE ARCHITECTURAL AND CIVIL DRAWINGS FOR ADDITIONAL INFORMATION NOT SHOWN.



POST-TENSION LAYOUT PLAN

1/4" = 1'-0"



NORTH

LEGEND:

- XX'-XX" [XXX] — MINIMUM REQUIRED LENGTH OF TENDON, INCLUDING 2'-0" ADDITIONAL LENGTH FOR STRESSING; ALL SPECIFIED TENDON LENGTHS SHALL BE VERIFIED BY THE CONTRACTOR
- TENDON ELONGATION FOR STRESSING OPERATIONS