

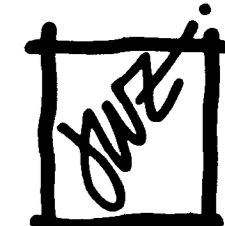


REVISIONS

CONSULTANT

LUCCHESI GALATI
ARCHITECTS

900 PILOT ROAD, SUITE A
LAS VEGAS, NEVADA 89166
PHONE (702) 253-0990
FAX (702) 253-9711



WZUNINO & ASSOCIATES
LANDSCAPE ARCHITECTURE
LAND PLANNING

3791 South Jones Blvd.
Las Vegas Nevada 89146
Phone (702) 253-0990
Fax (702) 253-9716
E-Mail jwz@wzunino.com

ELKHORN SPRINGS
NEIGHBORHOOD PARK
BUFFALO DRIVE

SKATE PARK DETAILS & SECTIONS

STAMP

OWNER: CITY OF LAS VEGAS
DEPARTMENT OF PUBLIC WORKS
ARCHITECTURAL SERVICES

400 EAST STEWART AVENUE
LAS VEGAS, NEVADA 89103
PHONE: (702) 229-6535
FAX: (702) 382-3232
TDD: (702) 386-9108

DRAWN: HK3

FILE: 20449-DT-SKATE

DATE: 3-9-01

SCALE: NTS

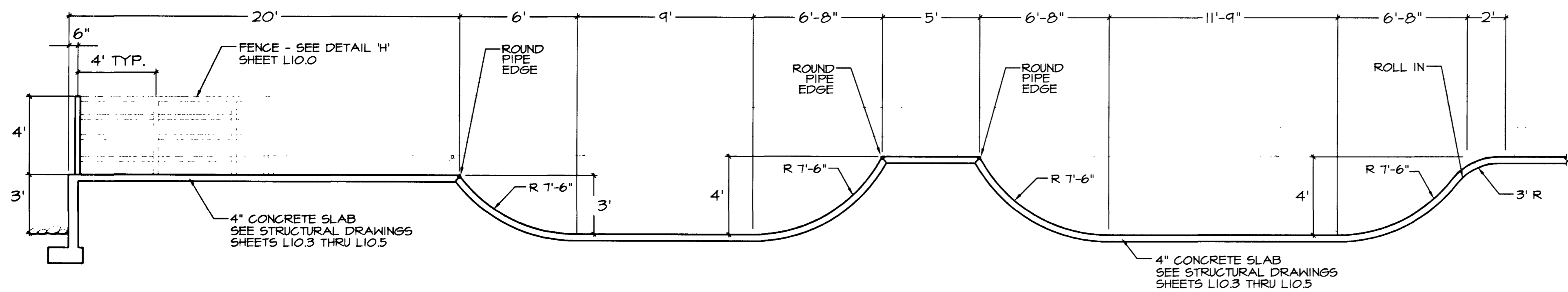
BID NO: 01.15301.16

CLV DWG NO: 650.64

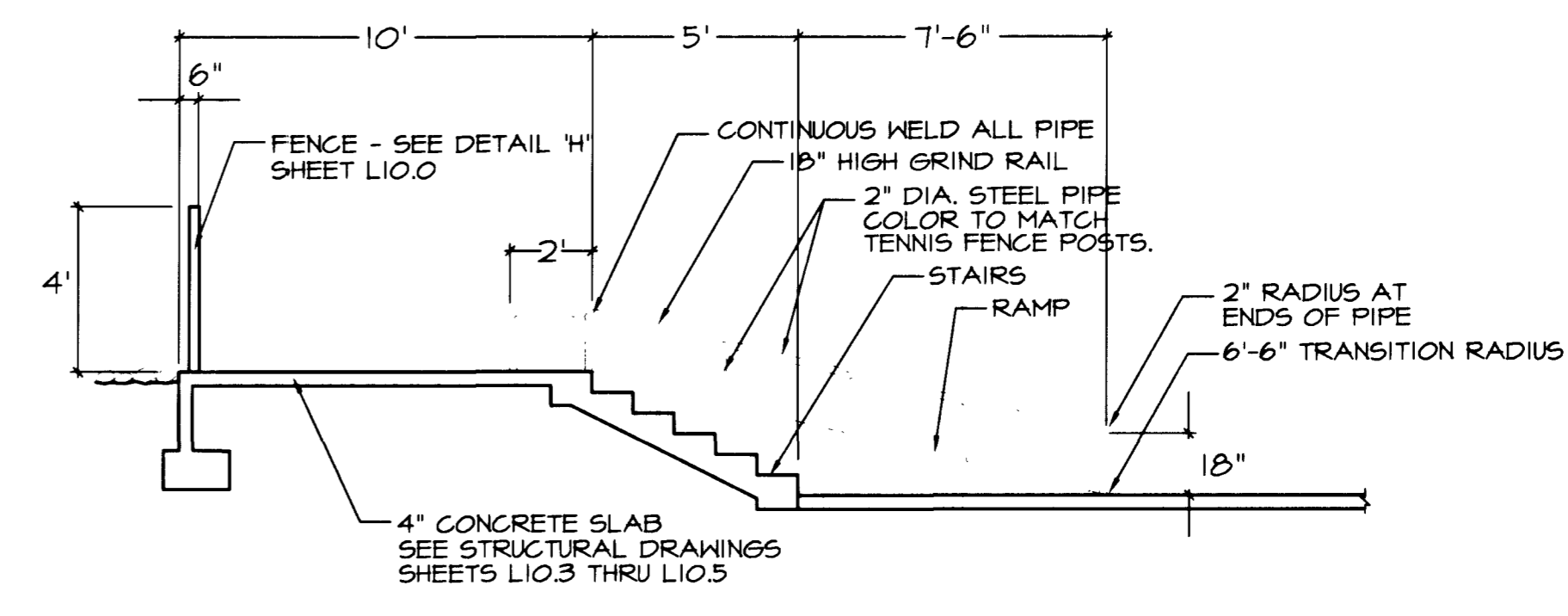
61 of 90

SHT NO:

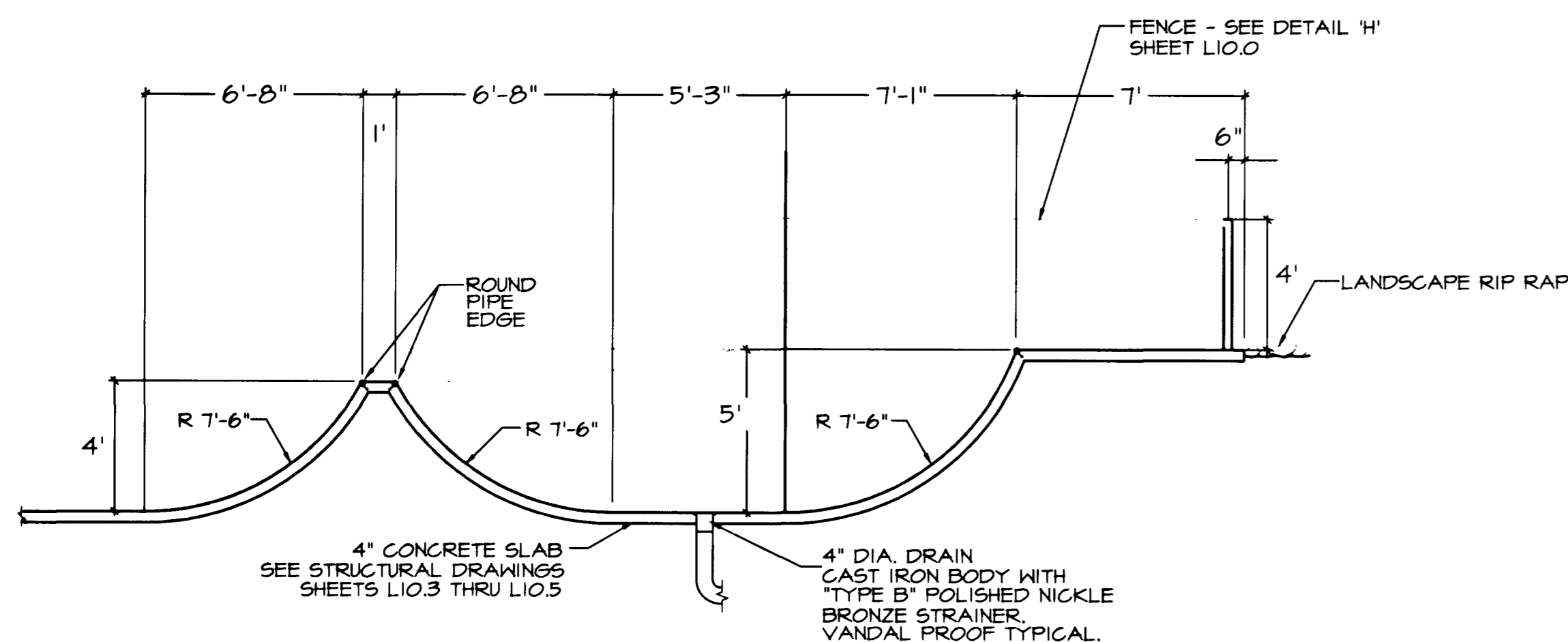
L10.2



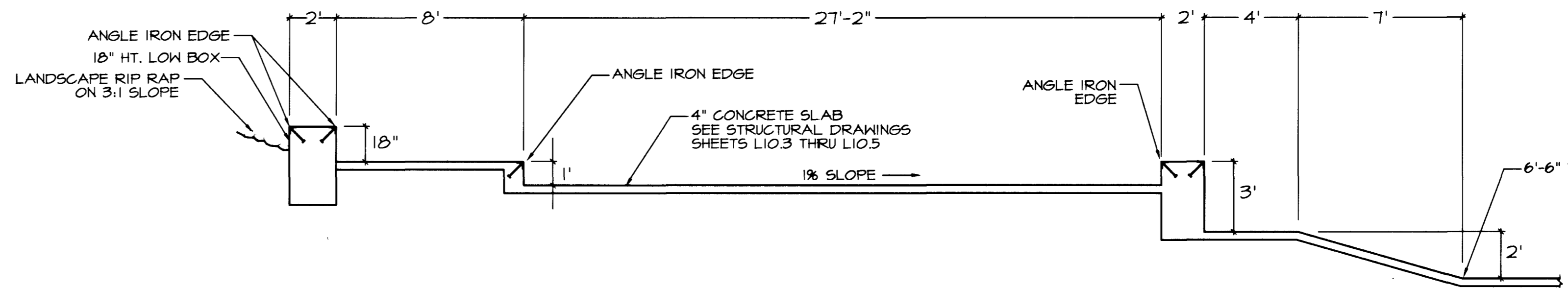
1 SCALE: 1/4" = 1'-0" SKATEPARK SECTION/ELEVATION



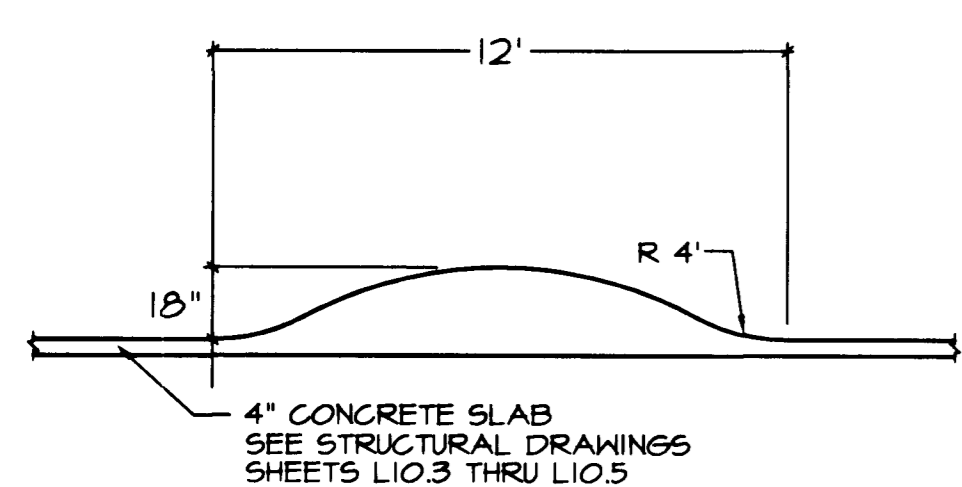
2 SCALE: 1/4" = 1'-0" SKATEPARK SECTION/ELEVATION



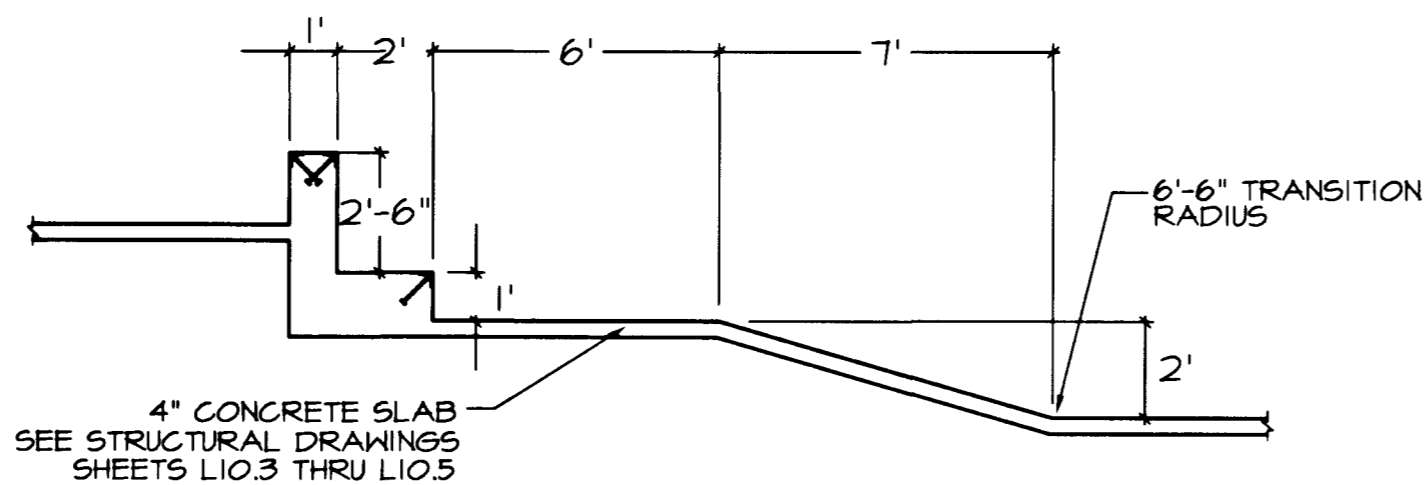
3 SCALE: 1/4" = 1'-0" SKATEPARK SECTION/ELEVATION



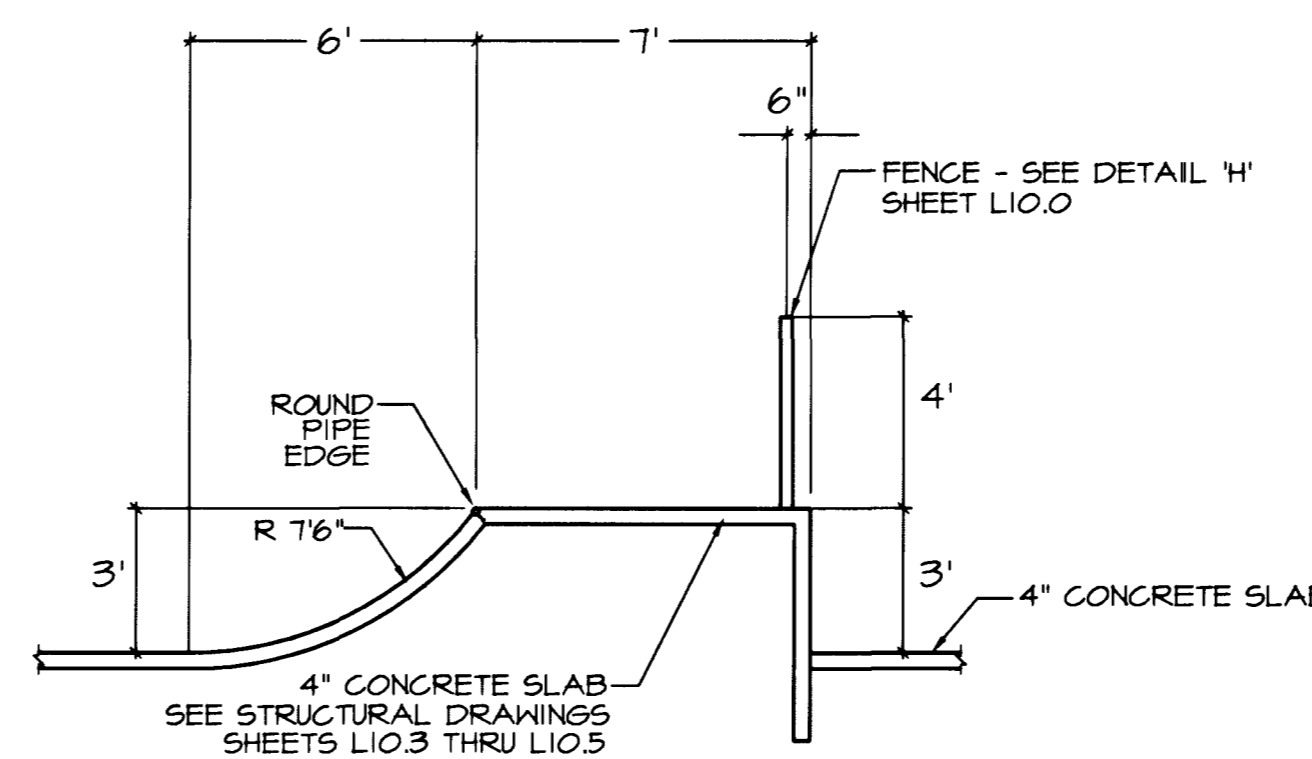
4 SCALE: 1/4" = 1'-0" SKATEPARK SECTION/ELEVATION



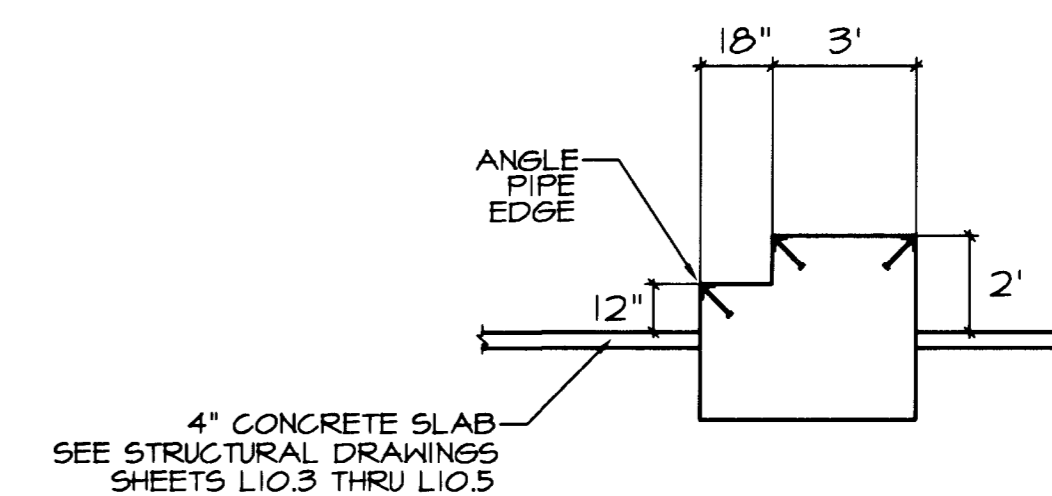
5 SCALE: 1/4" = 1'-0" SKATEPARK SECTION/ELEVATION



6 SCALE: 1/4" = 1'-0" SKATEPARK SECTION/ELEVATION



7 SCALE: 1/4" = 1'-0" SKATEPARK SECTION/ELEVATION



8 SCALE: 1/4" = 1'-0" SKATEPARK SECTION/ELEVATION