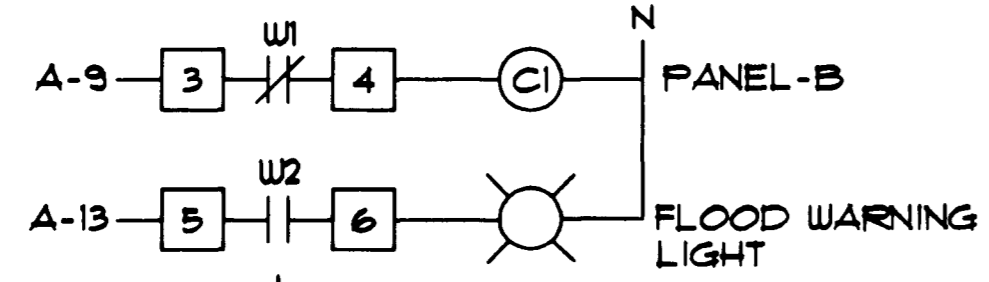
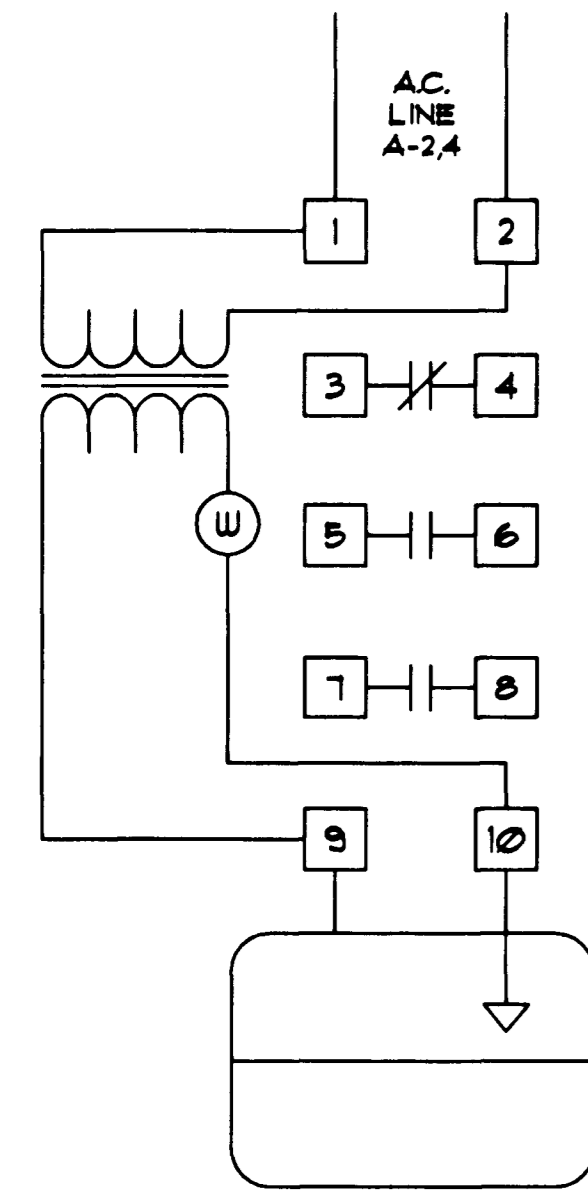
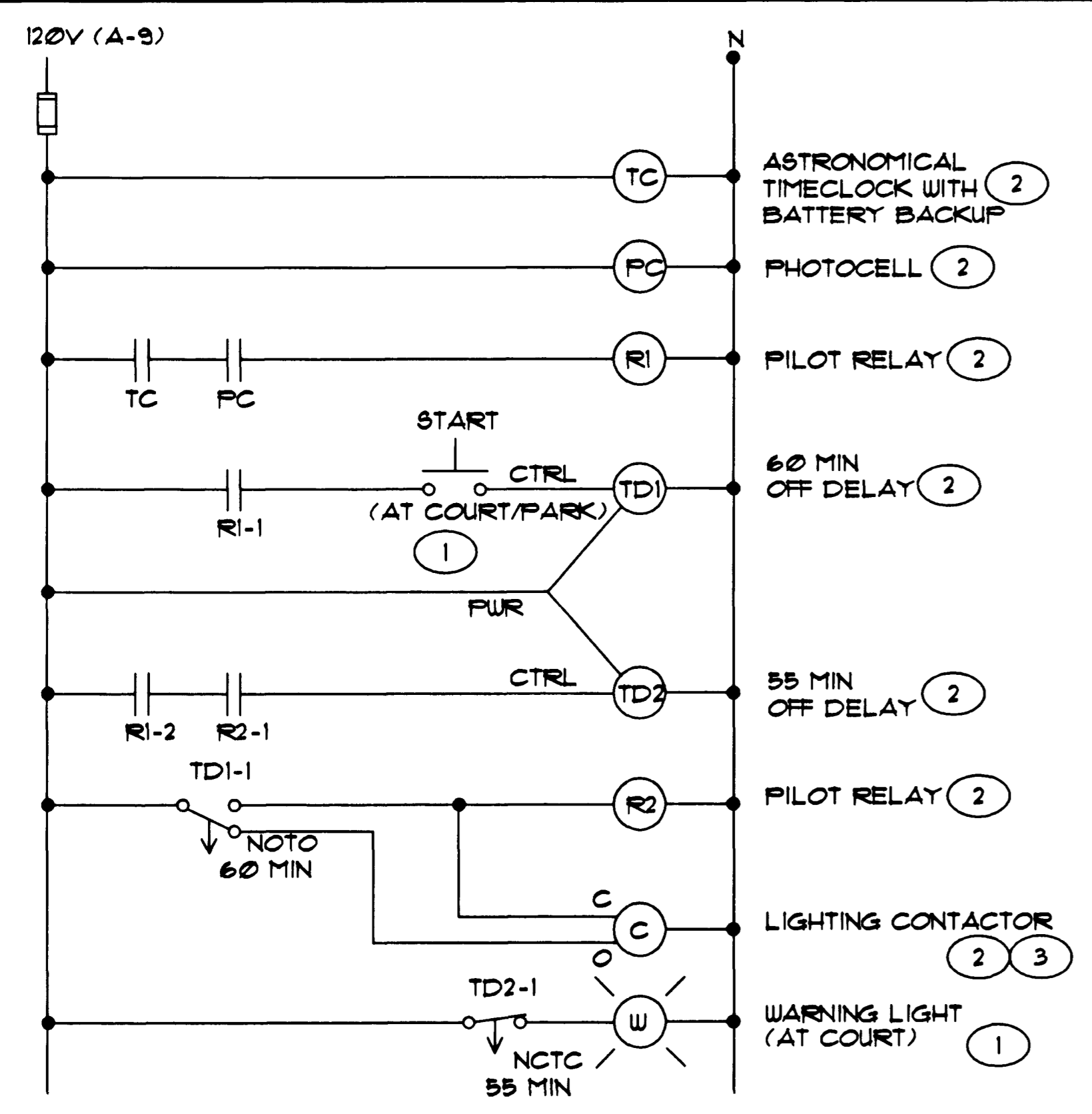


**RECORD DRAWINGS:**  
 THIS RECORD DRAWING, DATED FEBRUARY 25, 2022, HAS BEEN PREPARED, IN PART, BASED UPON INFORMATION FURNISHED BY OTHERS. WHILE THIS INFORMATION IS BELIEVED TO BE RELIABLE, PROFESSIONAL DESIGN ASSOCIATES INC. CANNOT ASSURE ITS ACCURACY, AND THIS IS NOT RESPONSIBLE FOR THE ACCURACY OF THIS RECORD DRAWING OR FOR ANY ERRORS OR OMISSIONS WHICH MAY HAVE BEEN INCORPORATED INTO IT AS A RESULT. THOSE RELYING ON THIS RECORD DOCUMENT ARE ADVISED TO OBTAIN INDEPENDENT VERIFICATION OF ITS ACCURACY BEFORE APPLYING IT FOR ANY PURPOSE.



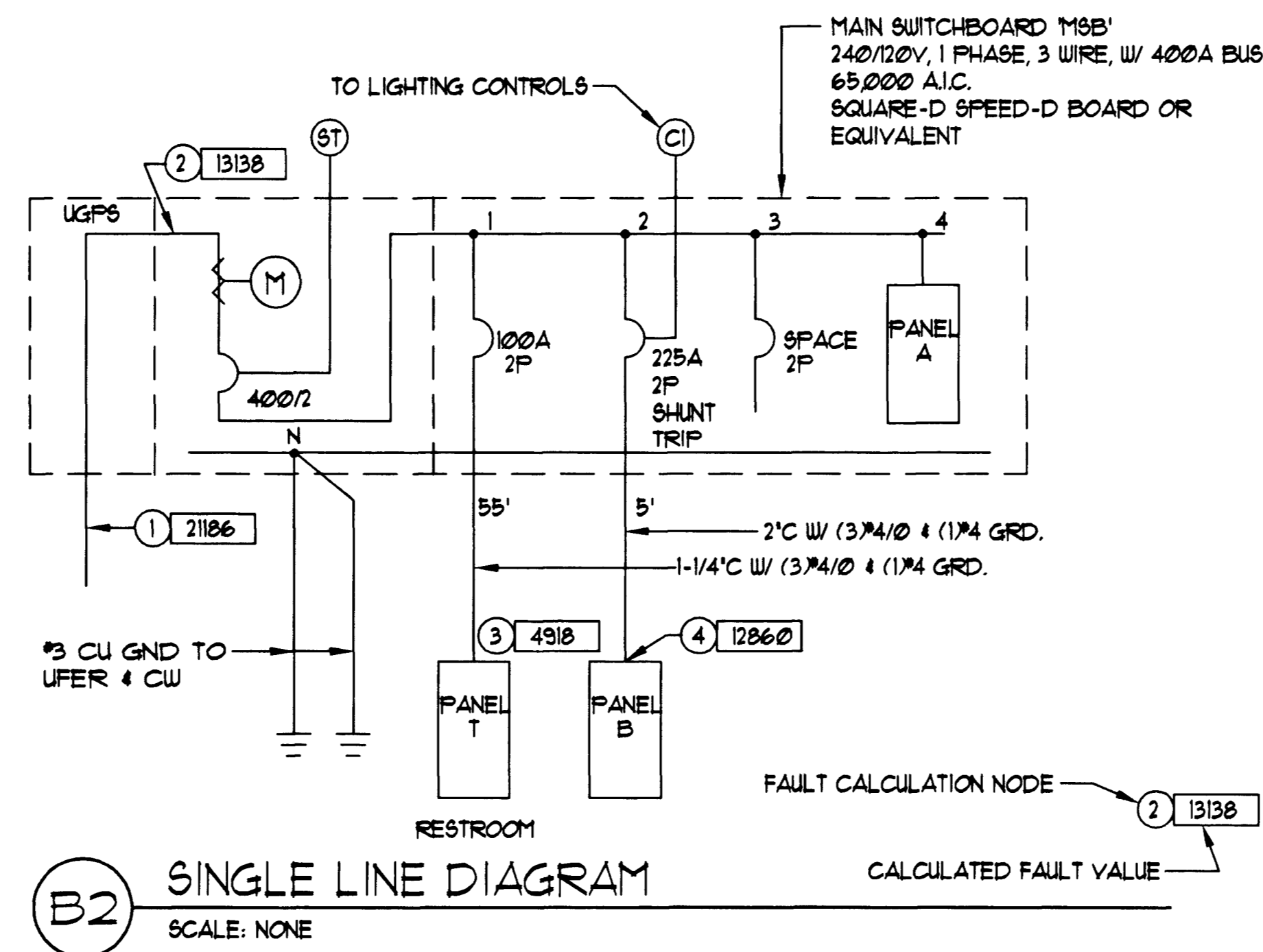
**KEYNOTES:**  
 (1) MOMENTARY KEY SWITCH AT POLE.

**B1 FLOOD POWER CONTROL DETAIL**  
 SCALE: NONE

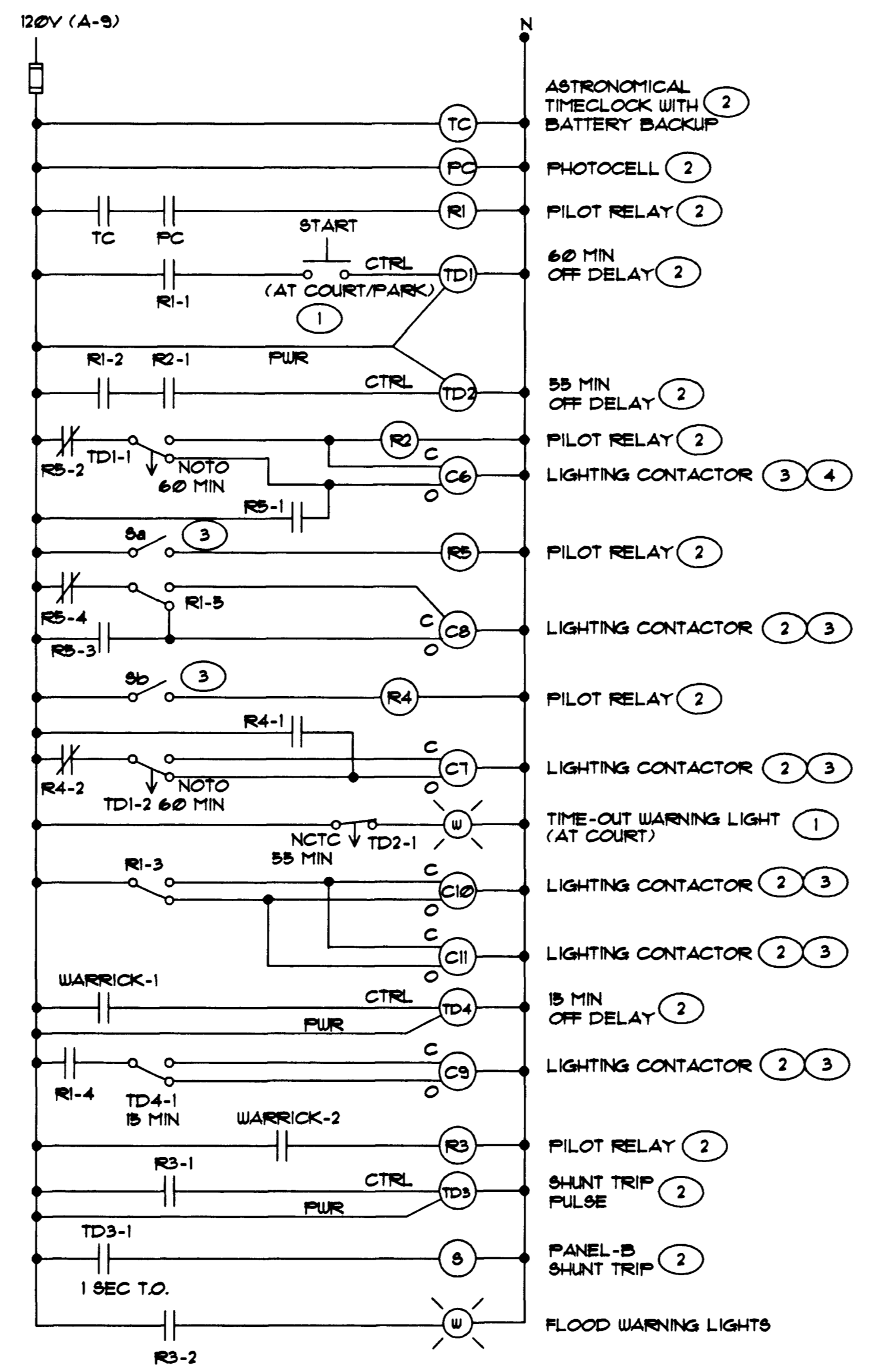


**KEYNOTES:**  
 (1) MOUNTED AT POLE IN NEMA-3R ENCLOSURE  
 (2) MOUNTED AT BOOSTER PUMP ENCLOSURE  
 (3) SEE CONTACTOR SCHEDULE FOR CONTACTOR ASSIGNMENT

**A1 TENNIS COURT LIGHTING CONTROL DETAIL**  
 SCALE: NONE  
 (TYPICAL FOR SKATEBOARD AREA)  
 78287



**B2 SINGLE LINE DIAGRAM**  
 SCALE: NONE



**KEYNOTES:**  
 (1) MOUNTED AT POLE  
 (2) MOUNTED AT BOOSTER PUMP ENCLOSURE  
 (3) SEE E912 FOR LOCATION  
 (4) MOUNTED ON NW BASKETBALL POLE

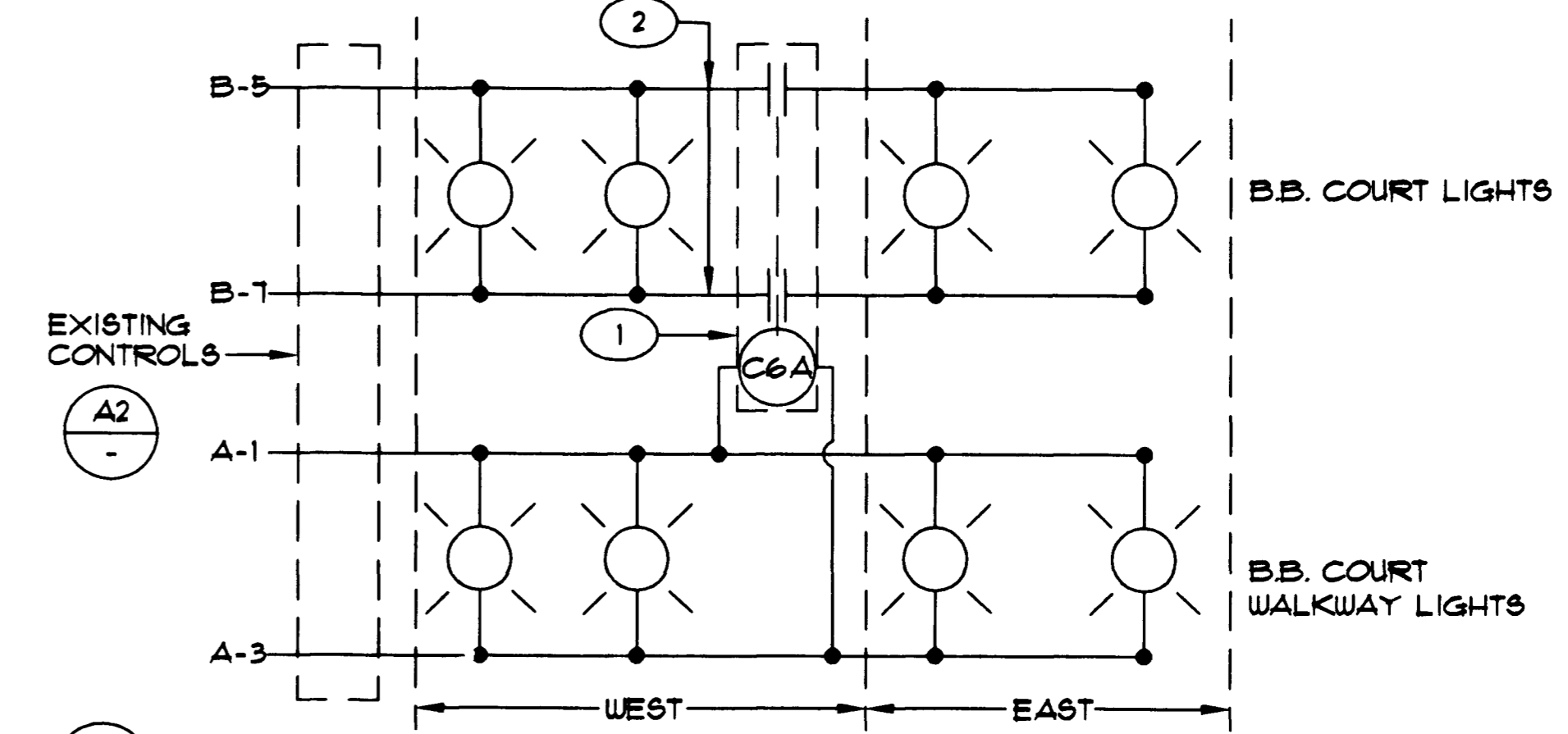
**A2 BASKETBALL LIGHTING CONTROL DETAIL**  
 SCALE: NONE

PANEL - A																	
VOLTAGE: 120/240V			BUS AMPS: 400			MOUNTG: SURFACE			LOCATION: GOLDEN TALON DRIVE								
PHASE: 1			MAN C/B: 400			TYPE: THOL			A.I.C. RATING: 22,000								
WIRE: 3			FED FROM: NPCD			CIRCUITS: 30											
CKT	A	B	REC	LTG	OTH	DESCRIPTION	LCL	C/B	C/B	LCL	DESCRIPTION	REC	LTG	OTH	A	B	CKT
1	275	-	-	-	-	PATH LTS @ BB COURT	20/2	30/2	20/2	30/2	PATH LTS	-	15	-	2065	2065	2
3	-	275	-	-	-	PATH LTS @ BB COURT	20/2	30/2	20/2	30/2	PATH LTS	-	-	-	-	-	4
5	1100	-	-	-	-	PATH LTS	20/2	20/2	20/2	20/2	PATH LTS	-	-	-	825	825	6
7	-	1100	-	-	-	PATH LTS	20/2	20/2	20/2	20/2	PATH LTS	-	-	-	825	825	8
9	500	-	-	-	1	CONTROLS	20/1	20/2	20/1	20/2	PARKING LIGHTS	7	-	-	963	963	10
11	-	500	-	-	-	EVENT RECEPTACLE	20/1	20/2	20/1	20/2	PARKING LIGHTS	-	-	-	963	963	12
13	200	-	-	-	4	FLOOD WARNING LTS.	20/1	20/2	20/1	20/2	PATH LTS	-	-	-	550	550	14
15	-	720	-	-	-	VORTEX CONTROLLER	20/1	20/2	20/1	20/2	PATH LTS	-	-	-	550	550	16
17	1200	-	-	-	-	SIGN	20/2	20/2	20/2	20/2	PATH/SHELTER LTS	1	18	-	791	791	18
19	-	1200	-	-	-	SIGN	20/2	20/2	20/2	20/2	PATH/SHELTER LTS	-	-	-	611	611	20
21	-	-	-	-	-	SPARE	20/1	20/2	20/1	20/2	COLUMN LIGHTS	9	-	-	360	360	22
23	-	-	-	-	-	SPARE	20/1	20/2	20/1	20/2	COLUMN LIGHTS	-	-	-	360	360	24
25	-	-	-	-	-	SPARE	20/1	20/2	20/1	20/2	SPACE	-	-	-	-	-	26
27	-	-	-	-	-	SPARE	20/1	20/2	20/1	20/2	SPACE	-	-	-	-	-	28
29	-	-	-	-	-	SPARE	20/1	20/2	20/1	20/2	SPACE	-	-	-	-	-	30
LOAD			LCL			TOTALS			LCL: 0=NO 1=25% ADDER			PANEL FLA*			58.3		
A-PHASE: 6,476			0			6,476						KVA WLCL*			13.5		
B-PHASE: 6,996			0			6,996											

PANEL - B																	
VOLTAGE: 120/240V			BUS AMPS: 225			MOUNTG: SURFACE NEMA-3R			LOCATION: GOLDEN TALON DRIVE								
PHASE: 1			MAN C/B: MLO			TYPE: AQ			A.I.C. RATING: 22,000								
WIRE: 3			FED FROM: MSB			CIRCUITS: 30											
CKT	A	B	REC	LTG	OTH	DESCRIPTION	LCL	C/B	C/B	LCL	DESCRIPTION	REC	LTG	OTH	A	B	CKT
1	3300	-	-	-	-	EAST TENNIS	40/2	20/1	40/2	20/1	SPARE	-	-	-	-	-	2
3	-	3300	-	-	-	EAST TENNIS	40/2	20/1	40/2	20/1	SPARE	-	-	-	-	-	4
5	4400	-	-	-	-	BASKETBALL	50/2	20/1	50/2	20/1	SPARE	-	-	-	-	-	6
7	-	4400	-	-	-	BASKETBALL	50/2	20/1	50/2	20/1	SPARE	-	-	-	-	-	8
9	6600	-	-	-	-	SKATEBOARD LTS	80/2	20/1	80/2	20/1	SPARE	-	-	-	-	-	10
11	-	6600	-	-	-	SKATEBOARD LTS	80/2	20/1	80/2	20/1	SPARE	-	-	-	-	-	12
13	3300	-	-	-	-	ROLLER HOCKEY	40/2	20/1	40/2	20/1	SPARE	-	-	-	-	-	14
15	-	3300	-	-	-	ROLLER HOCKEY	40/2	20/1	40/2	20/1	SPARE	-	-	-	-	-	16
17	3300	-	-	-	-	WEST TENNIS	40/2	20/1	40/2	20/1	SPARE	-	-	-	-	-	18
19	-	3300	-	-	-	WEST TENNIS	40/2	20/1	40/2	20/1	SPARE	-	-	-	-	-	20
21	-	-	-	-	-	SPACE	-	-	-	-	SPACE	-	-	-	-	-	22
23	-	-	-	-	-	SPACE	-	-	-	-	SPACE	-	-	-	-	-	24
25	-	-	-	-	-	SPACE	-	-	-	-	SPACE	-	-	-	-	-	26
27	-	-	-	-	-	SPACE	-	-	-	-	SPACE	-	-	-	-	-	28
29	-	-	-	-	-	SPACE	-	-	-	-	SPACE	-	-	-	-	-	30
LOAD			LCL			TOTALS			LCL: 0=NO 1=25% ADDER			PANEL FLA*			146.7		
A-PHASE: 17,800			0			17,800						KVA WLCL*			35.2		
B-PHASE: 17,800			0			17,800											

CONTACTOR SCHEDULE				
CONTACTOR NO.	RATING	NO. POLES	LOCATION	CIRCUITS CONTROLLED
C1	20	2	PUMP ENCL.	PANEL-B FEEDER SHUNT TRIP
C2	60	2	PUMP ENCL.	ROLLER HOCKEY LIGHTS
C3	60	2	PUMP ENCL.	EAST TENNIS LIGHTS
C4	60	2	PUMP ENCL.	WEST TENNIS LIGHTS
C5	100	2	PUMP ENCL.	SKATEBOARD LIGHTS
C6	30	2	N.W. B.B. POLE	EAST BASKETBALL LIGHTS
C7	30	2	PUMP ENCL.	WEST BASKETBALL LIGHTS
C8	30	2	PUMP ENCL.	BASKETBALL WALKWAY LIGHTS
C9	30	4	PUMP ENCL.	BASIN WALKWAY LIGHTS
C10	30	8	PUMP ENCL.	PARKING/UPPER WALKWAYS/SHELTERS
C11	30	2	PUMP ENCL.	PARK SIGN

CONTROL SCHEDULE			
CONTROL	CONTACTORS CONTROLLED	AREA	OPERATION DESCRIPTION
WARRICK	C1	BASIN SPORTS	OFF ON HIGH WATER, MANUAL RESET
WARRICK	C9	BASIN WALKWAYS	15 MINUTE DELAY OFF ON HIGH WATER, MANUAL RESET
TIME DELAY	C2	ROLLER HOCKEY	P.B. START, 1-HOUR ON WITH 5 MIN WARNING LIGHT
TIME DELAY	C3	EAST TENNIS	P.B. START, 1-HOUR ON WITH 5 MIN WARNING LIGHT
TIME DELAY	C4	WEST TENNIS	P.B. START, 1-HOUR ON WITH 5 MIN WARNING LIGHT
TIME DELAY	C5	SKATEBOARD	P.B. START, 1-HOUR ON WITH 5 MIN WARNING LIGHT
TIME DELAY	C6,C7	BASKETBALL	P.B. START, 1-HOUR ON WITH 5 MIN WARNING LIGHT, EVENT SWITCH OVERRIDE
EVENT SWITCH-a	C6,C8	BASKETBALL	EAST POLES AND WEST BASKETBALL WALKWAY LTS OFF WITH EVENT SWITCH-a
EVENT SWITCH-b	C7	BASKETBALL	WEST POLES LTS OFF WITH EVENT SWITCH-b
TIME SWITCH	C10	UPPER LEVEL	ON WITH PHOTOCELL, OFF WITH TIME SWITCH
PHOTOCELL	C11	PARK SIGN	ON AT DUSK, OFF AT DAWN



**KEYNOTES:**  
 (1) DELTROL #20844-85 DPDT 30 AMP, 240V COIL RELAY & SOCKET MOUNTED IN J-BOX AT TOP OF NW B.B. COURT POLE.  
 (2) DISCONNECT EAST B.B. LIGHTS FROM WEST B.B. LIGHTS AND CONNECT EAST LIGHTS TO NEW RELAY AS SHOWN.

**A3 EAST BASKETBALL LIGHTING CONTROL DETAIL**  
 SCALE: NONE



REVISIONS  
 1 8/20/06 REVISED SHEET PER AECOM  
 2 UPDATE RECORD DRAWINGS

CONSULTANT  
**LUCCHESI GALATI**  
 800 PLEASANT HAVEN  
 LAS VEGAS, NEVADA 89109  
 (702) 888-7771

Engineering Solutions  
**PDA**  
 From Outside the Box

Professional Design Associates, Inc.  
 108 Market Street  
 Henderson, NV 89015  
 (702) 567-1022  
 email: GTFoster@engineer.com

ELKHORN SPRINGS  
 NEIGHBORHOOD PARK  
 BUFFALO DRIVE  
 SINGLE LINE DIAGRAM, CONTROLS  
 AND PANEL SCHEDULES

OWNER: CITY OF LAS VEGAS  
 DEPARTMENT OF PUBLIC WORKS  
 ARCHITECTURAL SERVICES

400 EAST STEWART AVENUE  
 LAS VEGAS, NEVADA 89101  
 PHONE: (702) 229-8538  
 FAX: (702) 382-3232  
 TDD: (702) 386-9108

DRAWN: TF  
 FILE: 2012  
 DATE: 04/24/12  
 SCALE: 1"=30'-0"  
 SHEET NO.: 01.15301.16  
 DRAWING NO.: 650.64  
 77 of 90

E2.2