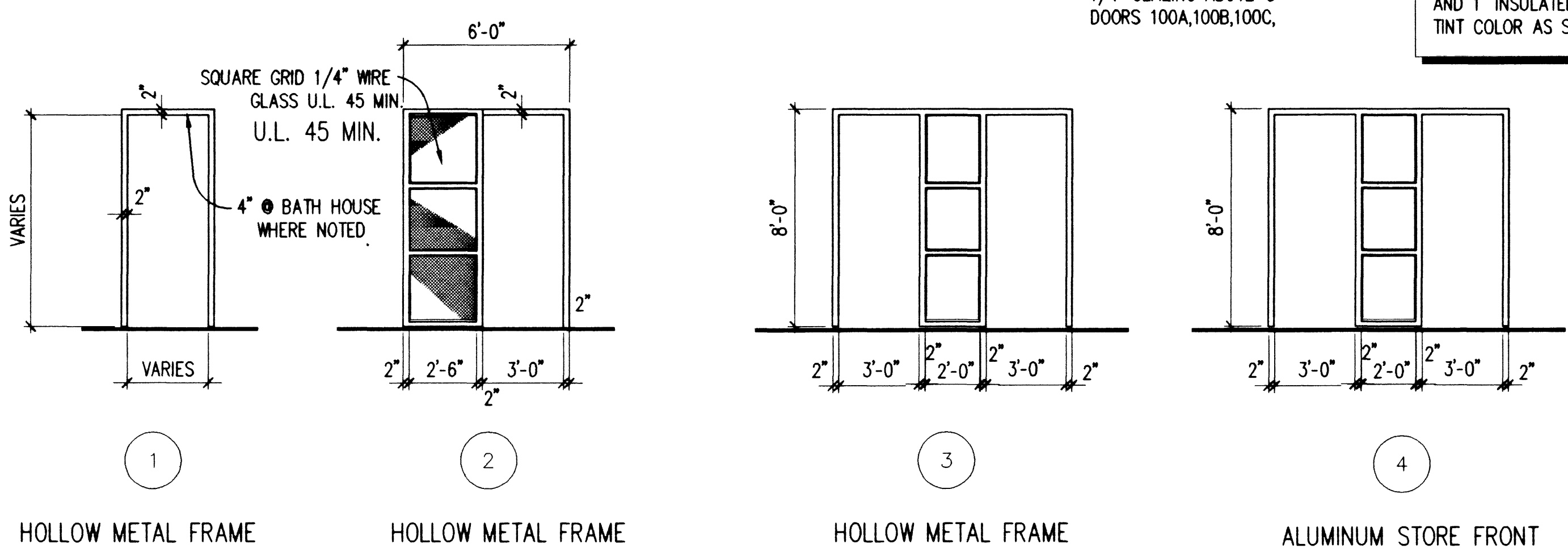


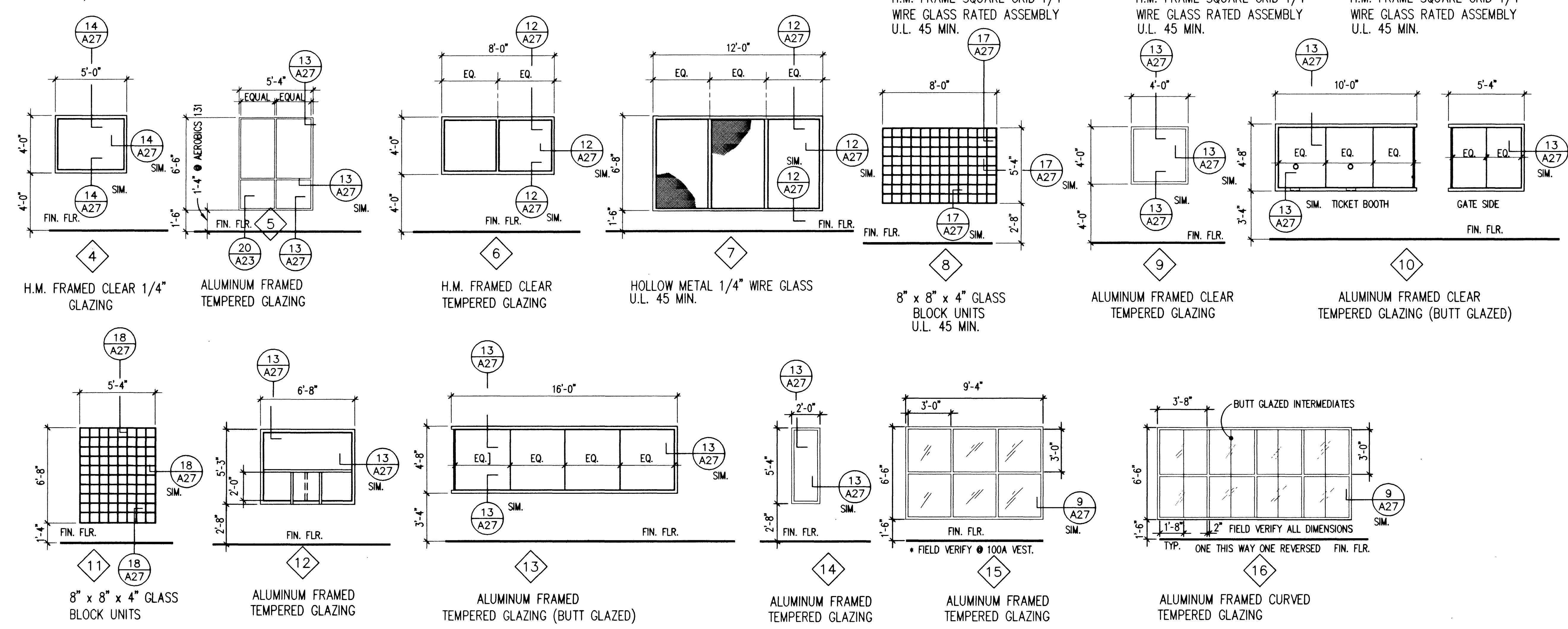
DOOR TYPES
SCALE: 1/4" = 1'-0"

FRAME PROFILES
NOT - TO - SCALE

NOTE:
ALL EXTERIOR GLAZING TO BE TINTED AND 1" INSULATED, INCLUDING DOORS - TINT COLOR AS SPEC. BY ARCHITECT



FRAME TYPES
SCALE: 1/4" = 1'-0"



WINDOW TYPES
SCALE: 3/8" = 1'-0"

DOOR SCHEDULE FLOOR PLAN A

door no.	door			frame						remarks	
	type	size	3/4"	type	profile	head	jamb	jamb	sill	hardware	fire rating
150	A	3'-0"x7'-10"x1	3/4"	1	A	1/A27	1/A27	1/A27		7	
150A	C	10'-0"x8'-0"				8/A27	9/A27	9/A27			
150B	A	(2) 3'-0"x7'-10"x1	3/4"	1	A	1/A27	1/A27	1/A27			
151	A	3'-0"x7'-10"x1	3/4"							6	
152A	A	3'-0"x7'-10"x1	3/4"							3	
152B	A	(2) 3'-0"x7'-10"x1	3/4"	1	A	4/A27	4/A27	4/A27		8	
152C	C	10'-0"x8'-0"				6/A27	7/A27	7/A27			
153	A	3'-0"x7'-10"x1	3/4"	1	A	1/A27	1/A27	1/A27		7	
154A						1/A27	1/A27	1/A27		5	
154B						4/A27	4/A27	4/A27		7	
154C						4/A27	4/A27	4/A27		7	
155		3'-0"x7'-2"x1	3/4"			1/A27	1/A27	1/A27		7	
156		3'-0"x7'-10"x1	3/4"			4/A27	4/A27	4/A27		7	
157		3'-0"x7'-10"x1	3/4"			4/A27	4/A27	4/A27		7	
157A	F	6'-8"x5'-2"				10/A27	11/A27	11/A27			
157B	F	6'-8"x5'-2"				10/A27	11/A27	11/A27			
157C	C	8'-0"x8'-0"				6/A27	7/A27	7/A27			
158	A	3'-0"x7'-10"x1	3/4"	1	A	5/A27	5/A27	5/A27		2	4" FRAME HEAD
158A		3'-0"x7'-10"x1	3/4"							5	4" FRAME HEAD
160		3'-0"x7'-10"x1	3/4"							2	
161	E	3'-0"x7'-10"x1	3/4"							3	4" FRAME HEAD
161A	E	3'-0"x7'-10"x1	3/4"							3	
162	A	3'-0"x7'-10"x1	3/4"							5	
162A	A	(2) 3'-0"x7'-10"x1	3/4"			1/A27	1/A27	1/A27		2	
163	E	3'-0"x7'-10"x1	3/4"			1/A27	1/A27	1/A27		3	
163A	E	3'-0"x7'-10"x1	3/4"			5/A27	5/A27	5/A27		3	
164	A	3'-0"x7'-10"x1	3/4"							2	
166	A	3'-0"x7'-10"x1	3/4"							2	
166A	A	3'-0"x7'-10"x1	3/4"							5	

DOOR SCHEDULE FLOOR PLAN B

door no.	door			frame						remarks	
	type	size	3/4"	type	profile	head	jamb	jamb	sill	hardware	fire rating
100A	D	3'-0" x 7'-10"		4	C	1/A23	1/A23	1/A23		0	ALUMINUM
100AA						4	C			0	ALUMINUM
100B						4	C			0	ALUMINUM
100BB						4	C			0	ALUMINUM
101A						4	C			0	ALUMINUM
101B						4	C			0	ALUMINUM
102A						4	C			0	ALUMINUM
102B						4	C			0	ALUMINUM
103A	B	3'-0"x7'-10"x1	3/4"	1	C	1/A27	1/A27	1/A27		3	20 MIN.
103B	B	3'-0"x7'-10"x1	3/4"	1	C	1/A27	1/A27	1/A27		3	20 MIN.
103C	A	(2) 3'-0"x7'-10"x1	3/4"	1	C	1/A27	1/A27	1/A27		4	
104	A	3'-0"x7'-10"x1	3/4"	1	C	1/A27	1/A27	1/A27		3	20 MIN.
107A	B	3'-0"x7'-10"x1	3/4"	3	C	4/A27	4/A27	4/A27		2	
107B	B	3'-0"x7'-10"x1	3/4"	3	C	4/A27	4/A27	4/A27		2	
108A	A	3'-0"x7'-10"x1	3/4"	2	C	1/A27	1/A27	1/A27		3	20 MIN.
108B	A	3'-0"x7'-10"x1	3/4"	2	C	1/A27	1/A27	1/A27		3	20 MIN.
108C	A	3'-0"x7'-10"x1	3/4"	2	C	1/A27	1/A27	1/A27		3	20 MIN.
108D	A	3'-0"x7'-10"x1	3/4"	1	C	4/A27	4/A27	4/A27		2	
108E	A	3'-0"x7'-10"x1	3/4"	1	C	4/A27	4/A27	4/A27		2	
108F	A	3'-0"x7'-10"x1	3/4"	1	C	4/A27	4/A27	4/A27		2	
109A	A	(2) 3'-0"x7'-10"x1	3/4"	1		3/A27	3/A27	3/A27		4	
109B	A	3'-0"x7'-10"x1	3/4"	1		4/A27	4/A27	4/A27		2	
109C	C	8'-0" x 12'-0"				6/A27	7/A27	7/A27			
110	A	3'-0"x7'-10"x1	3/4"	1	A	1/A27	1/A27	1/A27		7	
111A						4/A27	4/A27	4/A27		7	
111B						3/A27	3/A27	3/A27		5	
111C						3/A27	3/A27	3/A27		5	
111D	F	4'-0" x 4'-0"				10/A27	11/A27	11/A27			
111E	F	4'-0" x 4'-0"				10/A27	11/A27	11/A27			
112A	A	3'-0"x7'-10"x1	3/4"	2	A	3/A27	3/A27	3/A27		3	20 MIN.
112B						A	3/A27	3/A27		3	20 MIN.
112C						A	3/A27	3/A27		3	20 MIN.
112D						1	A	4/A27		2	
112E										2	
112F										2	
113A	B	3'-0"x7'-10"x1	3/4"	3	A	1/A27	1/A27	1/A27		1	
113B										2	
113C										2	
113D										2	
113E										2	1 HR.
114A	A	(2) 3'-0"x7'-10"x1	3/4"	1						8	1 HR.
114B	A	(2) 3'-0"x7'-10"x1	3/4"	1		4/A27	4/A27	4/A27		8	
115	A	3'-0"x7'-10"x1	3/4"	1		1/A27	1/A27	1/A27		3	1 HR.
115A	A	3'-0"x7'-10"x1	3/4"	1		1/A27	1/A27	1/A27		3	1 HR.
116	A	3'-0"x7'-2"x1	3/4"							3	1 HR.
117A	A	(2) 3'-0"x7'-10"x1	3/4"							8	1 HR.
117B	C	8'-0" x 12'-0"				6/A27	7/A27	7/A27			
119A	A	3'-0"x7'-2"x1	3/4"	1	A	5/A27	5/A27	5/A27		3	
119B										3	1 HR.
120A										3	
120B										3	1 HR.
123A	B	(2) 3'-0"x7'-10"x1	3/4"			1/A27	1/A27	1/A27		6	1 HR.
123B	B									6	1 HR.
123C	A									6	1 HR.
123D	A									6	
124A	A	3'-0"x7'-10"x1	3/4"			3/A27	3/A27	3/A27		3	1 HR.
124B	C	8'-0" x 12'-0"				6/A27	7/A27	7/A27			
124C	C	6'-0" x 12'-0"				6/A27	7/A27	7/A27			
125A	A	3'-0"x7'-2"x1	3/4"	1	1	5/A27	5/A27	5/A27		3	1 HR.
125B										3	
126A										3	1 HR.
126B										3	
129	A	(2) 3'-0"x7'-10"x1	3/4"			4/A27	4/A27	4/A27		2	
130A						5/A27	5/A27	5/A27		4	
130B						5/A27	5/A27	5/A27		4	
131	A	3'-0"x7'-10"x1	3/4"	2		1/A27	1/A27	1/A27		3	20 MIN.
132	A	3'-0"x7'-10"x1	3/4"	2		1/A27	1/A27	1/A27		3	20 MIN.
133A	A	2'-0"x7'-2"x1	3/4"	1		5/A27	5/A27	5/A27		3	1 HR.
133B	A	3'-0"x7'-10"x1	3/4"	1		1/A27	1/A27	1/A27		3	1 HR.
134	B	3'-0"x7'-10"x1	3/4"	1		1/A27	1/A27	1/A27		3	
134A	B	3'-0"x7'-10"x1	3/4"	1		1/A27	1/A27	1/A27		3	20 MIN.
135	A	3'-0"x7'-10"x1	3/4"	1		1/A27	1/A27	1/A27		3	20 MIN.
136	B	3'-0" x 7'-2"		3	A	4/A27	4/A27	4/A27		2	
137	B	3'-0"x7'-2"x1	3/4"	1	A	3/A27	3/A27	3/A27		3	20 MIN.
140	A	3'-0"x7'-2"x1	3/4"	1	B	5/A27	5/A27	5/A27		9	20 MIN.
141	B	3'-0"x7'-10"x1	3/4"	1	C	1/A27	1/A27	1/A27		3	20 MIN.
142	A	3'-0"x7'-2"x1	3/4"		B	2/A27	2/A27	2/A27		5	
143A	B	3'-0"x7'-10"x1	3/4"		A	3/A27	3/A27	3/A27		3	20 MIN.
143B	A	3'-0"x7'-10"x1	3/4"		B	2/A27	2/A27	2/A27		3	20 MIN.
144	A	3'-0"x7'-2"x1	3/4"		B					5	20 MIN.
145A										3	20 MIN.
145B										5	

72 OF 118
650.59

DATE: _____

DESCRIPTION: _____

REVISION: _____

WAYNE SCHREINER AIA
THOMAS M. SILVA AIA

1525 WEST OAKLEY BLVD.
LAS VEGAS, NV 89102
(702) 383-0077
FAX (702) 383-0057

HSA ARCHITECTS

Verify all Dimensions and Conditions of the Site

Sheet Title: DOOR SCHEDULES - DOOR, WINDOW, AND FRAME TYPES

Job Title: CITY OF LAS VEGAS DEPARTMENT OF PARK AND LEISURE ACTIVITIES
DURANGO RECREATION FACILITY

Job: 960901

Date: 20 FEB. 1998

Drawn By: CRL

Check: WPS

Sheet: **A26**

72 OF 118
31 OF 38
650.59

27084

650.59