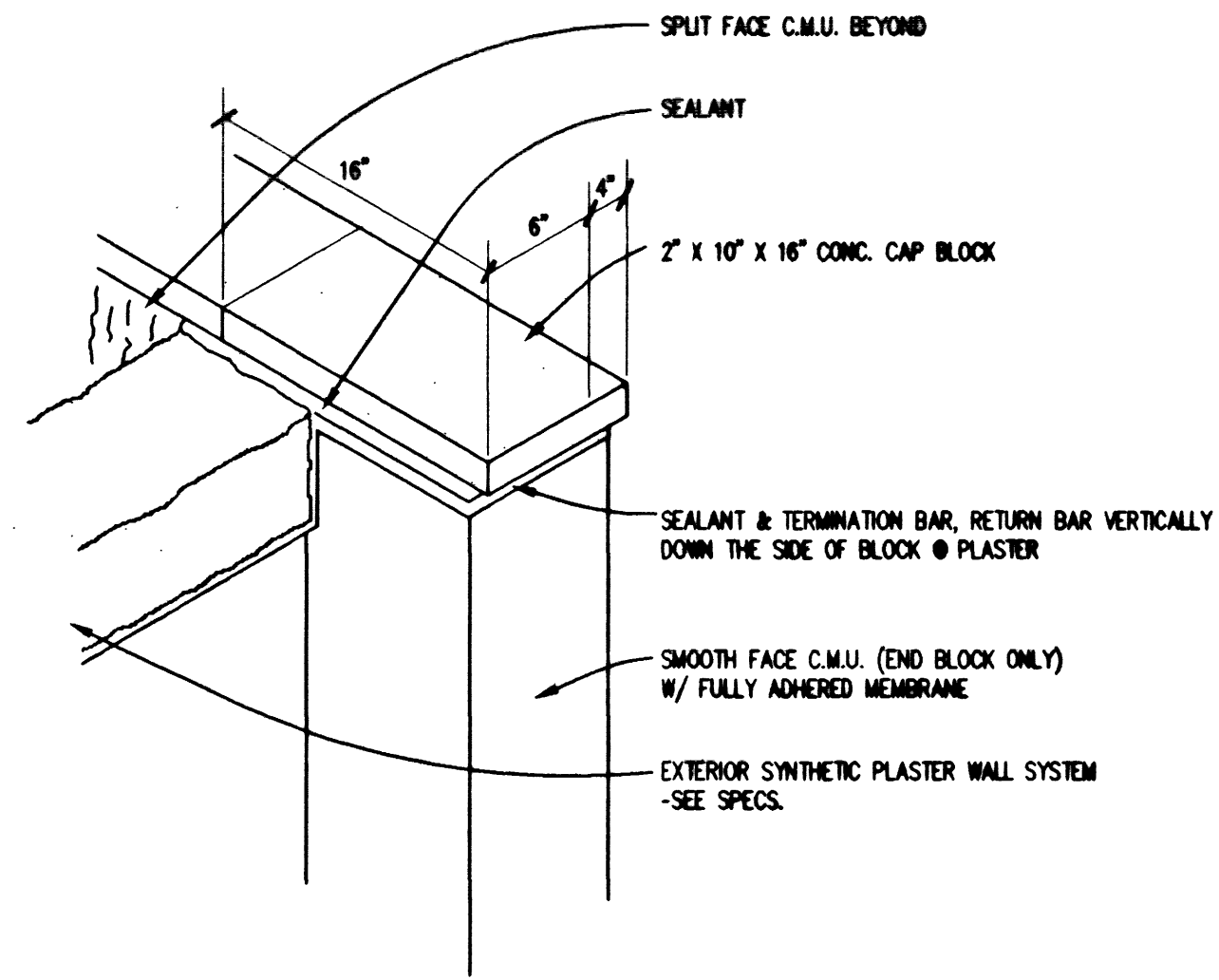
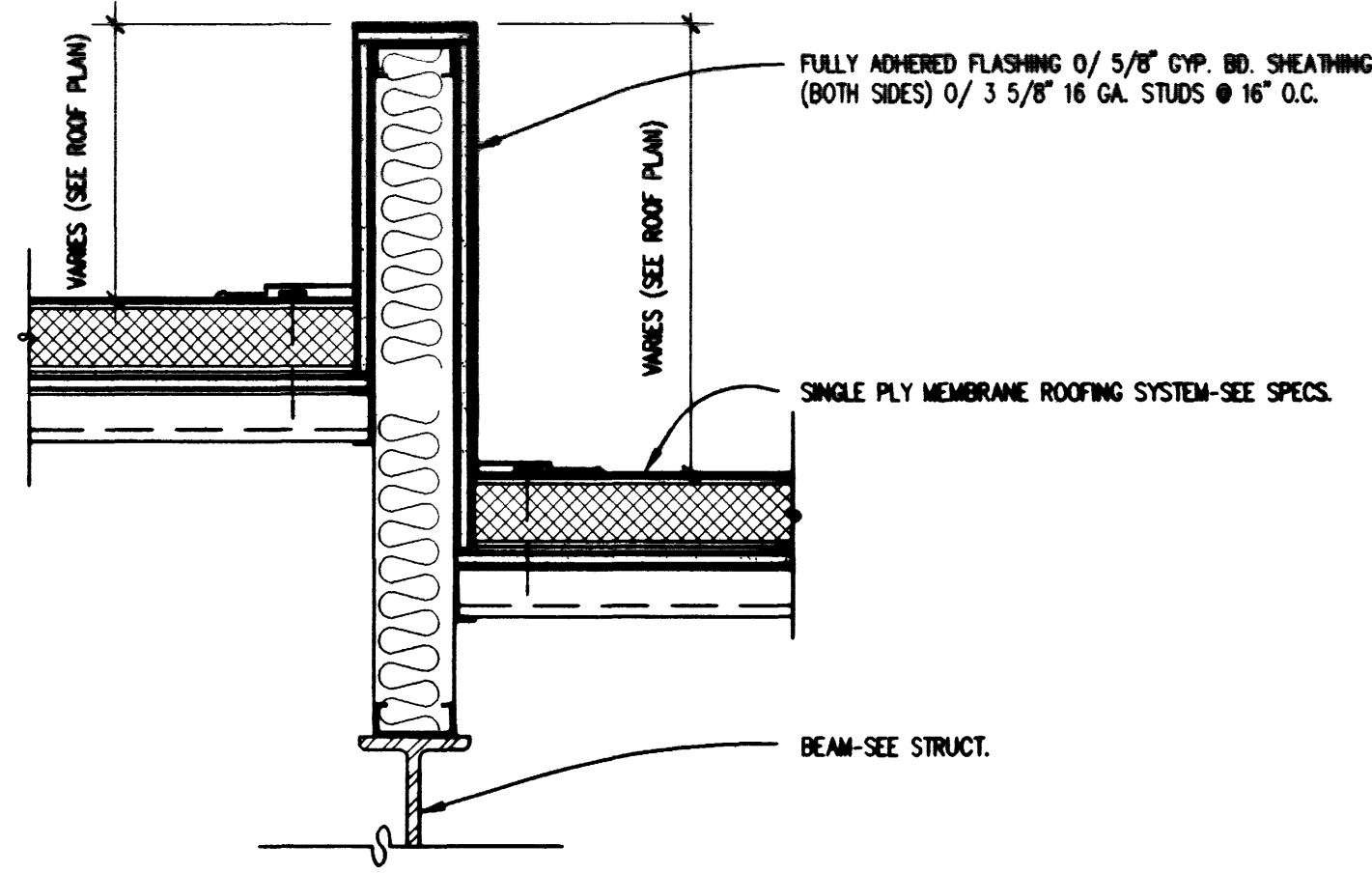


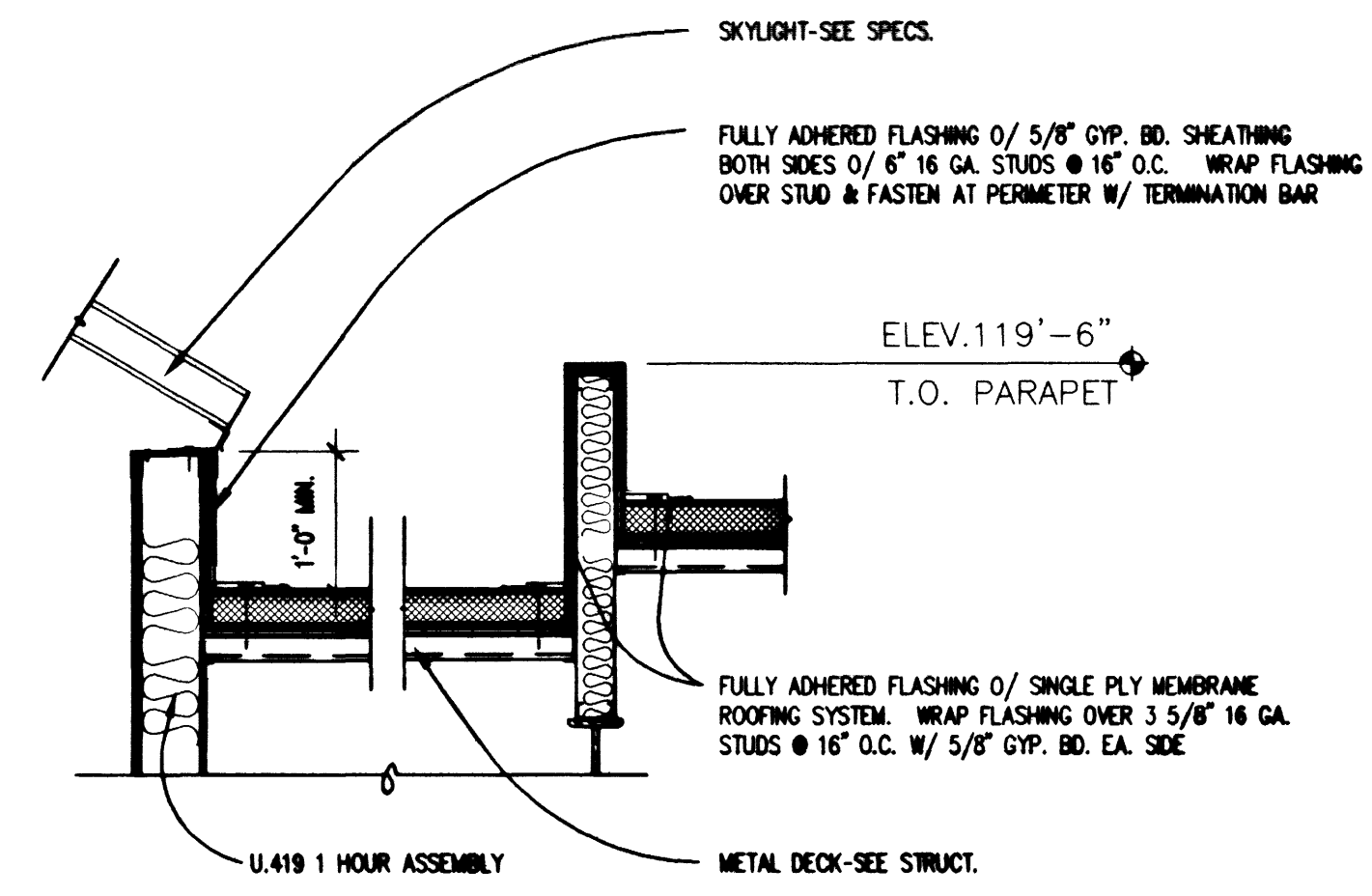
1 FLASHING DETAIL
SCALE: 1/2"=1'-0"



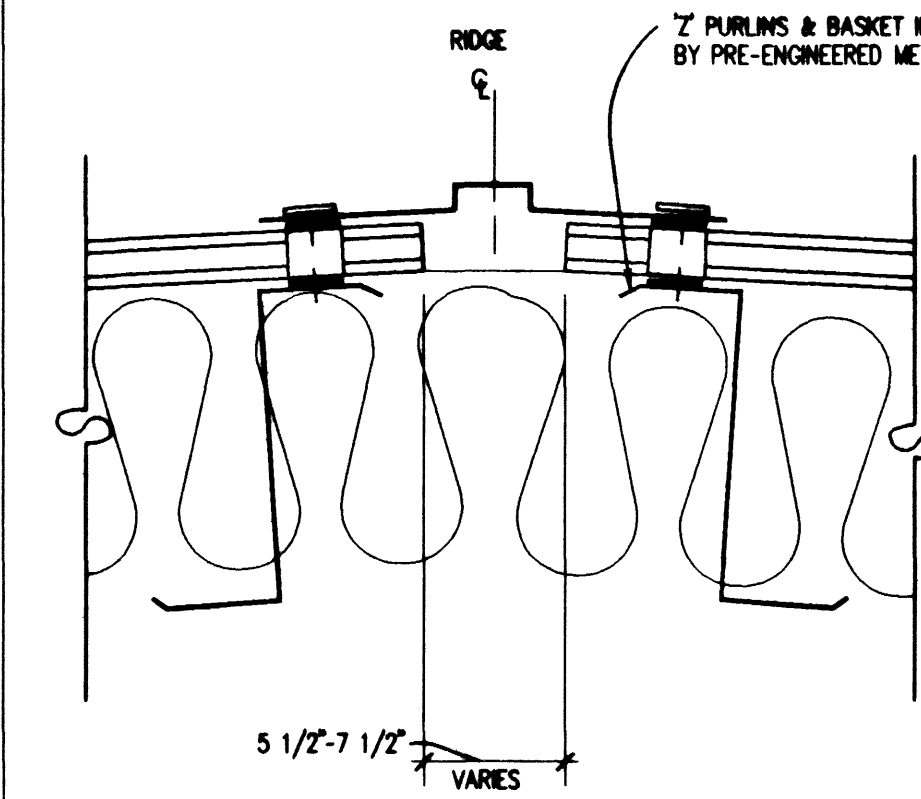
2 CANOPY / CAP BLOCK TRANSITION
NOT TO SCALE



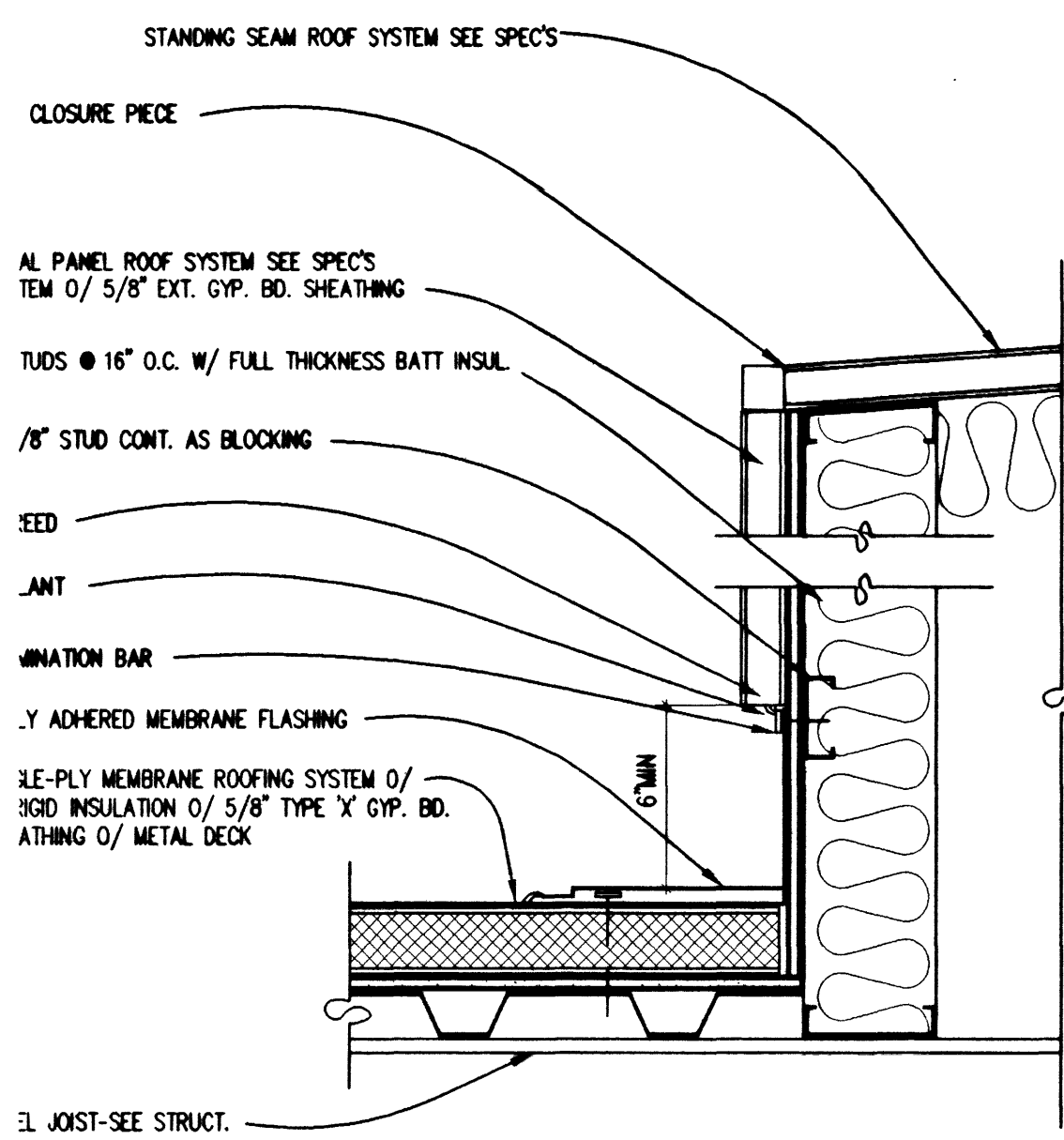
3 FLASHING @ PARAPET WALL
SCALE: 1/2"=1'-0"



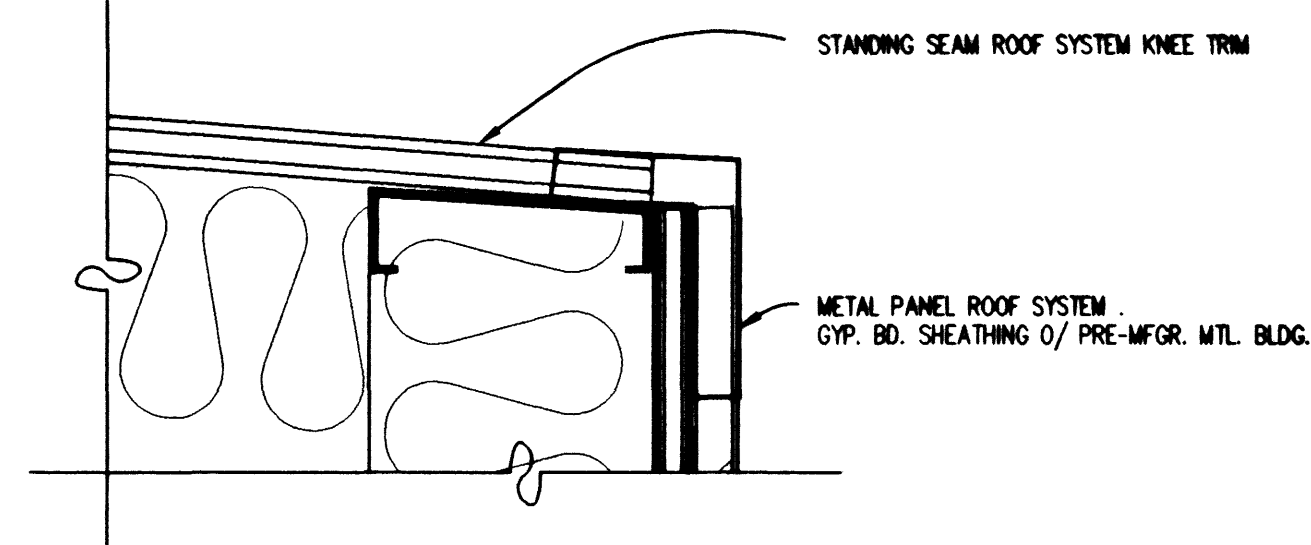
4 SKYLIGHT / PARAPET FLASHING
SCALE: 3/4"=1'-0"



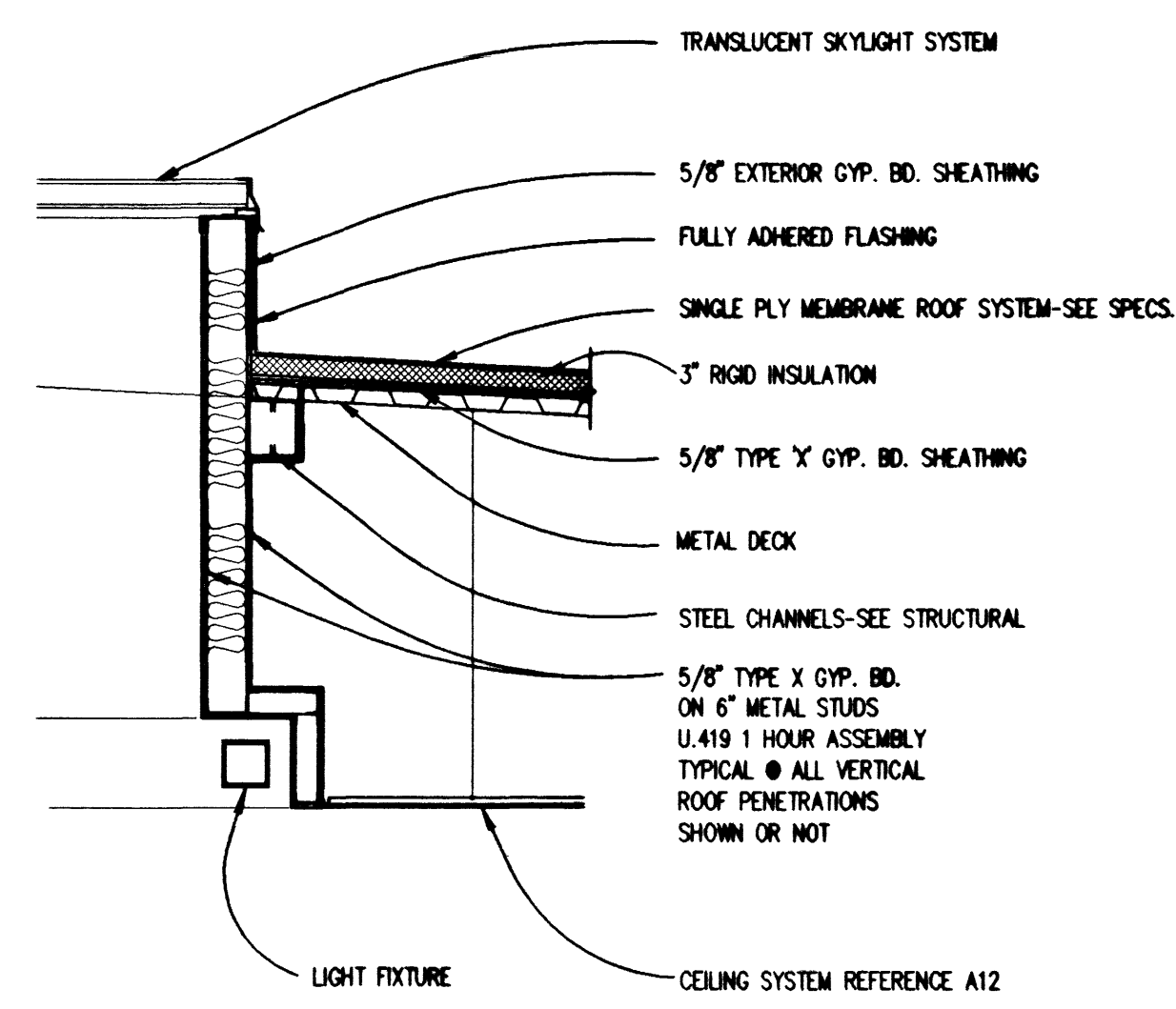
5 RIDGE CAP
SCALE: 1/2"=1'-0"



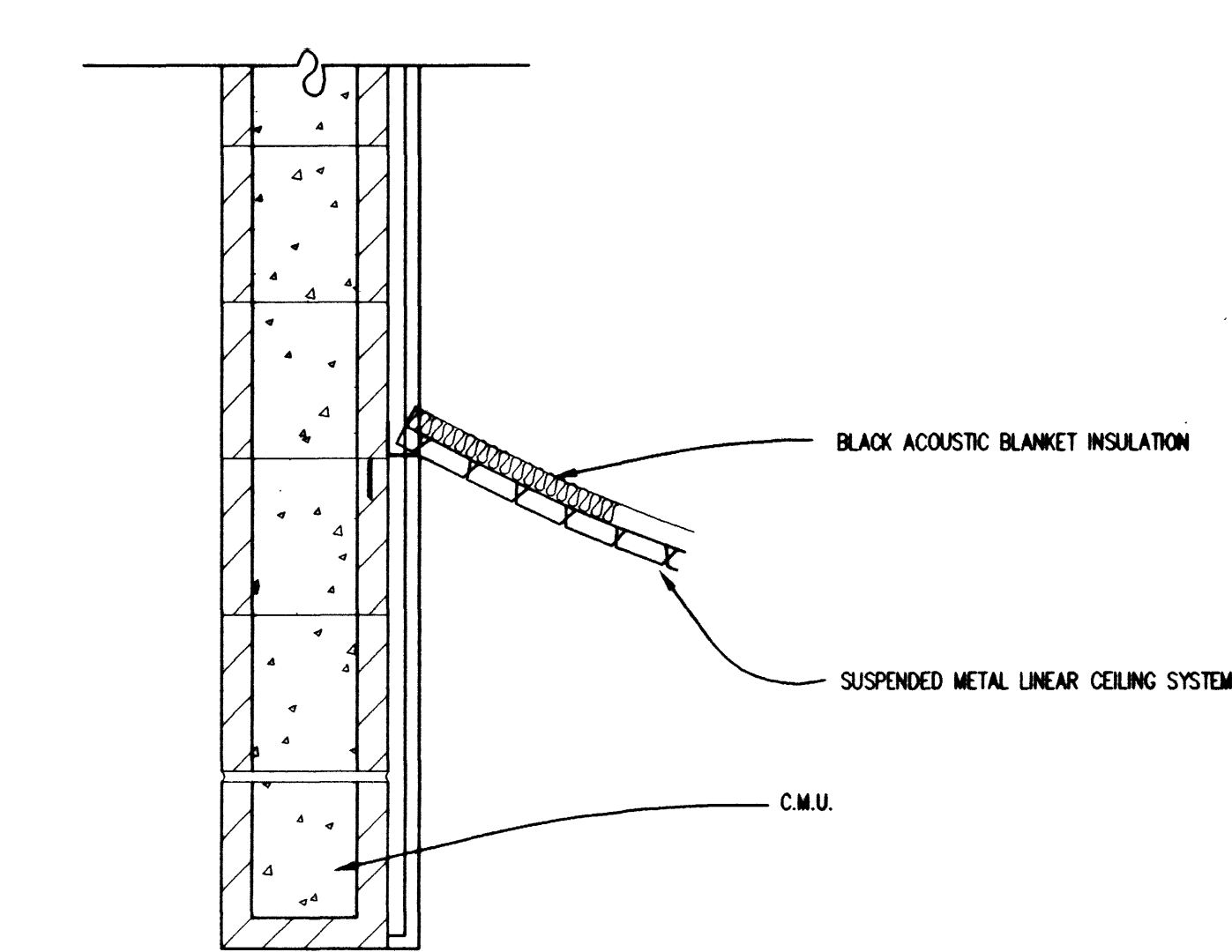
6 TYP. ROOF EDGE TERMINATION
SCALE: 1/2"=1'-0"



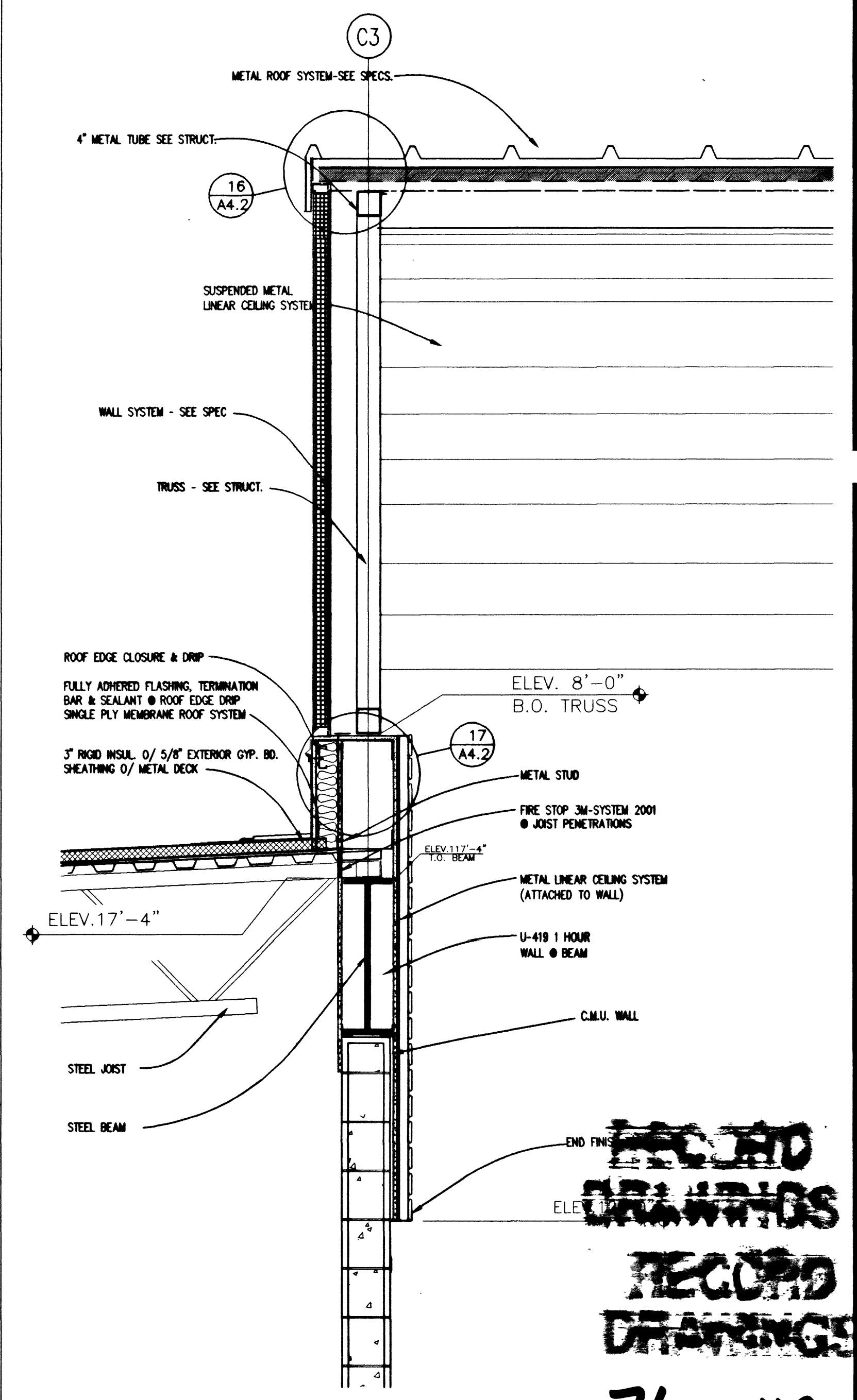
7 TYP. ROOF EDGE TERMINATION
SCALE: 3"=1'-0"



8 TYPICAL SECTION THRU SKYLIGHT
SCALE: 1/2"=1'-0"

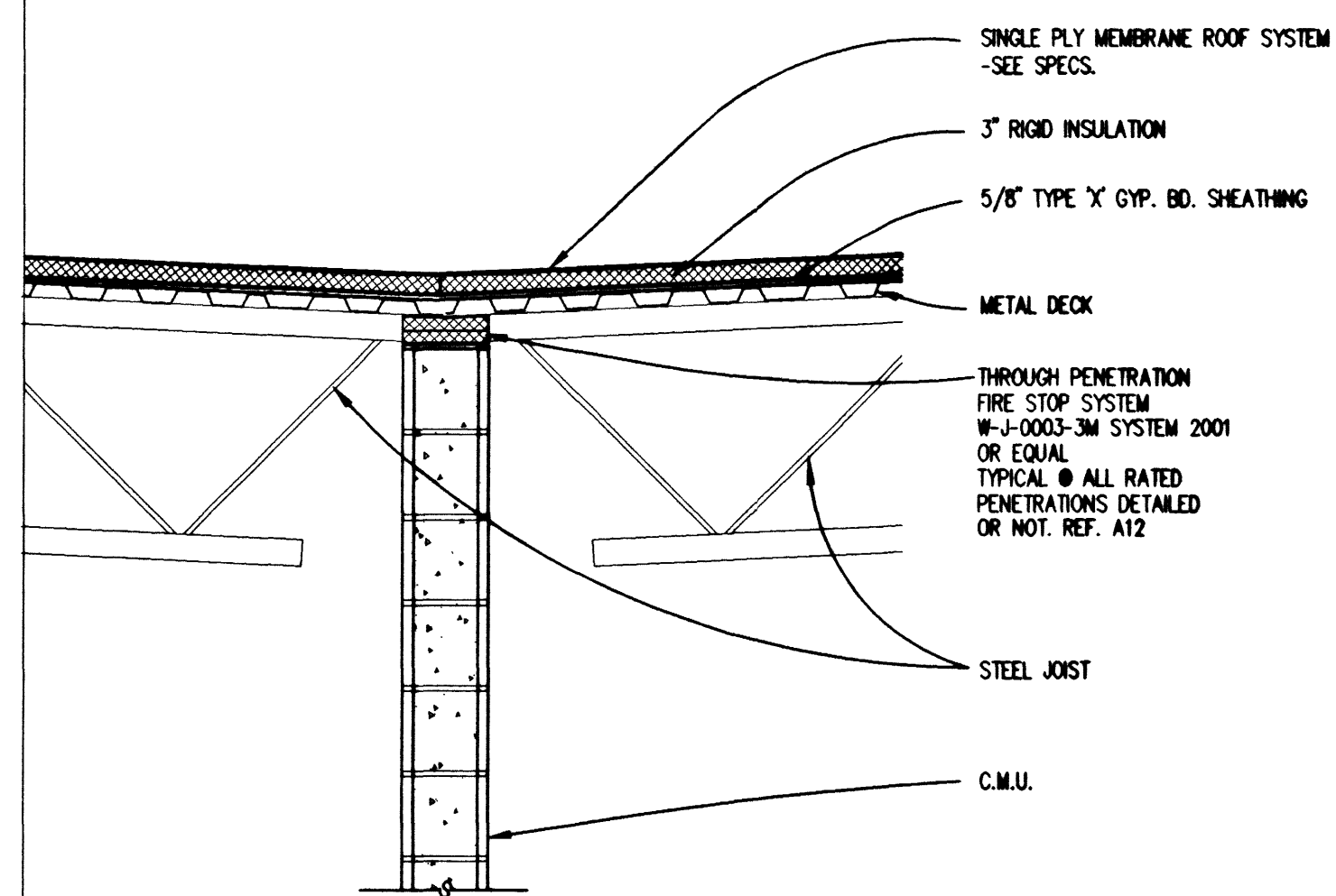


9 LINEAR CEILING @ CMU WALL @ LOBBY
SCALE: 1/2"=1'-0"

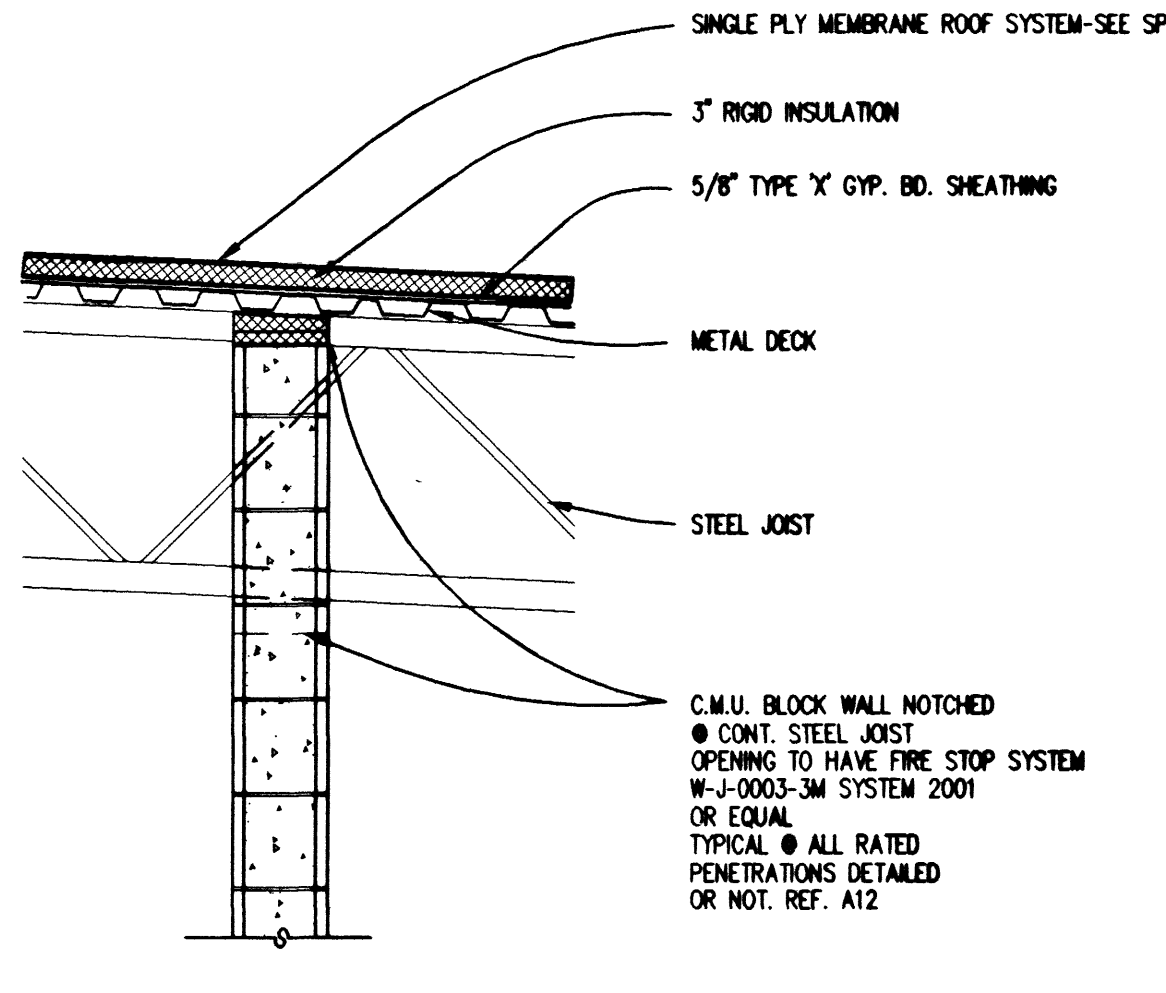


19 ROOF & BEAM - LOBBY
SCALE: 3/4"=1'-0"

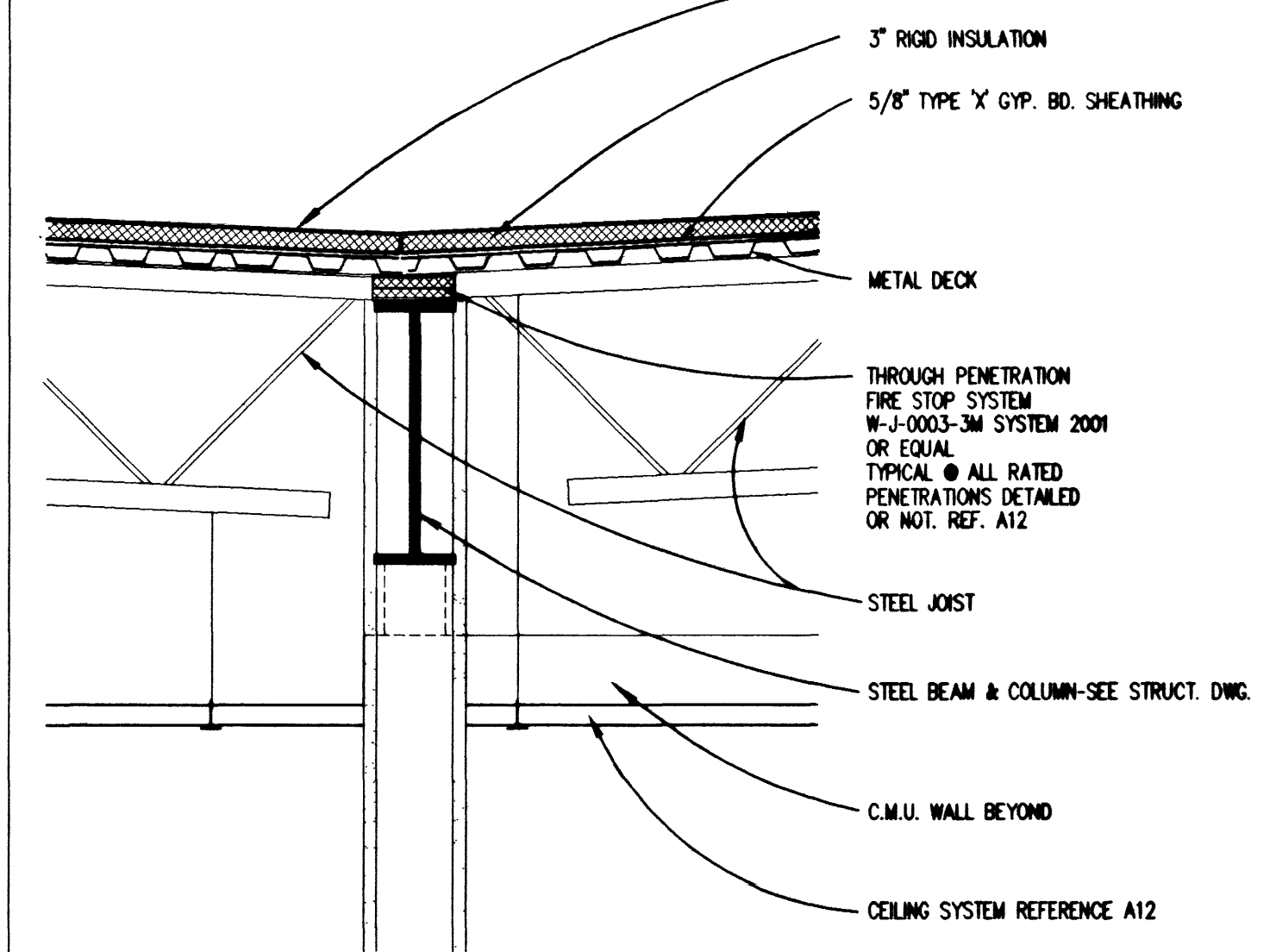
10 NOT USED
NO SCALE



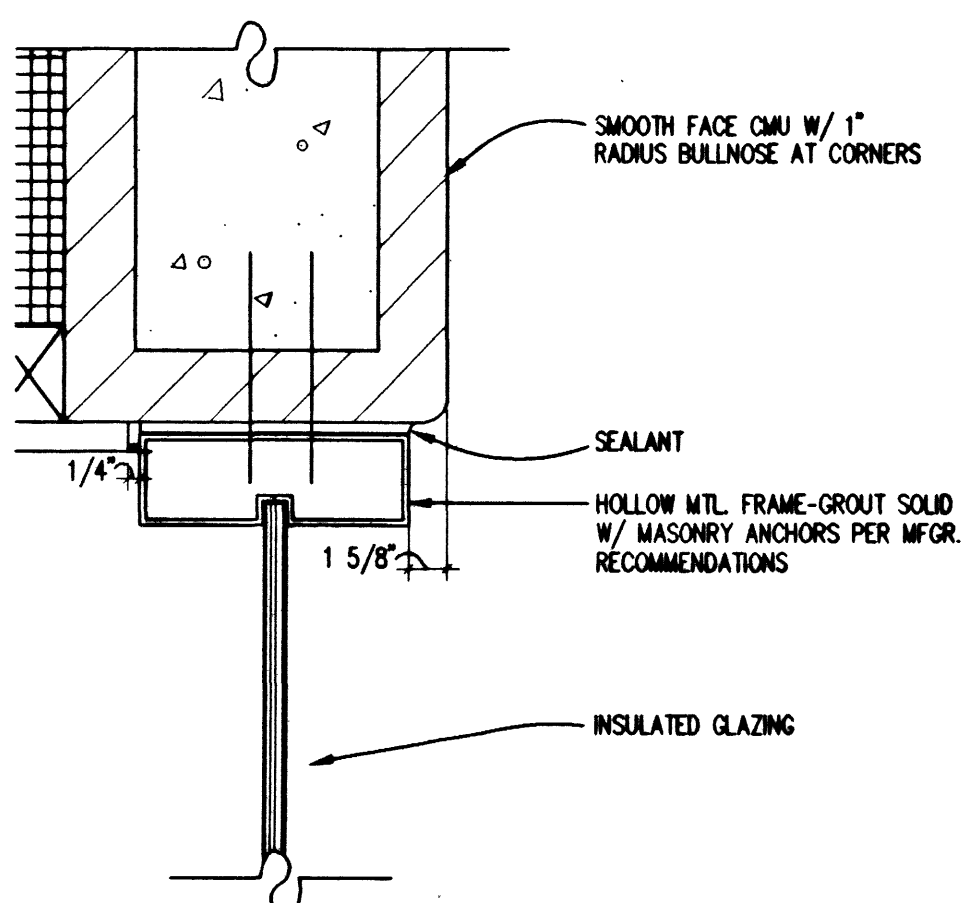
11 C.M.U. WALL @ JOIST BEARING
SCALE: 3/4"=1'-0"



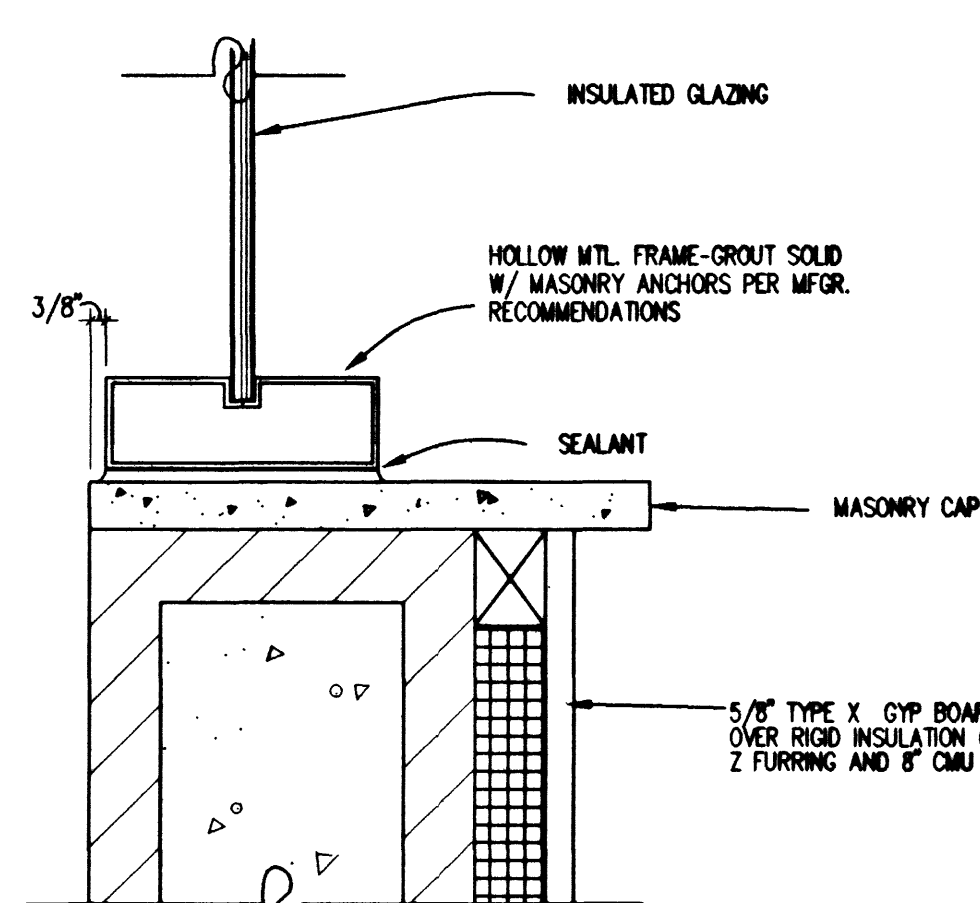
12 C.M.U. @ JOIST NON-BEARING
SCALE: 3/4"=1'-0"



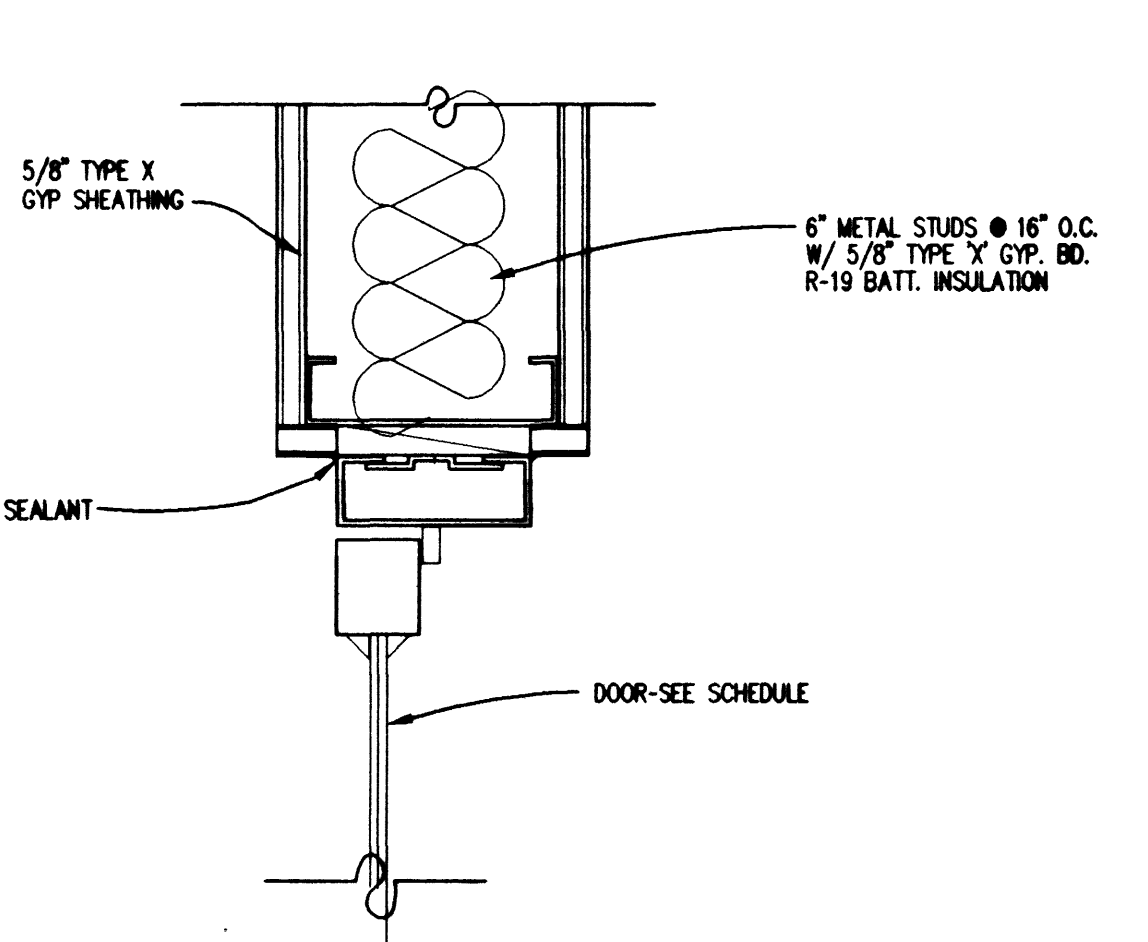
13 ROOF & BEAM - BEARING
SCALE: 3/4"=1'-0"



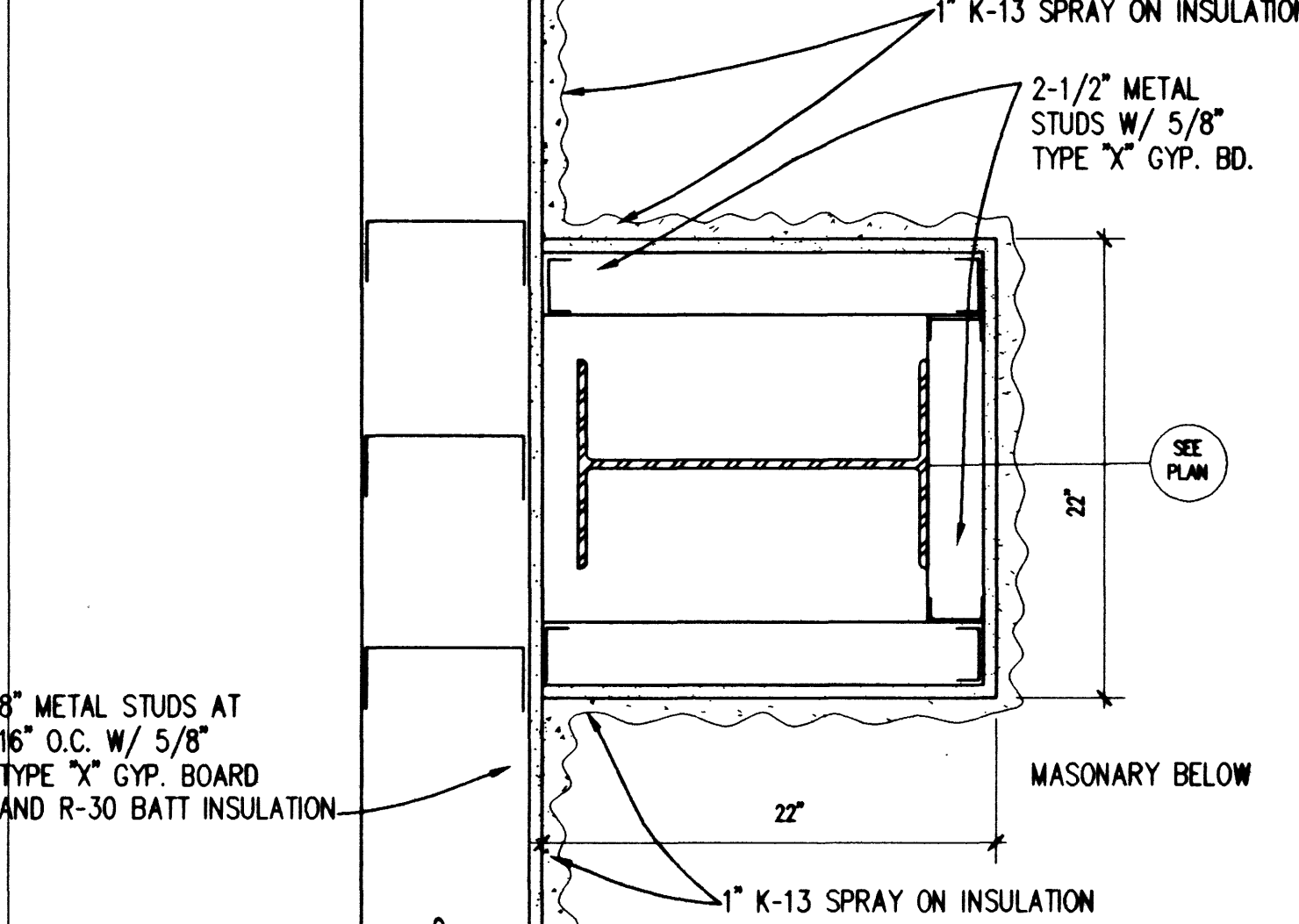
14 EXTERIOR WINDOW FRAME @ CMU (SIM.)
SCALE: 3"=1'-0"



15 EXTERIOR WINDOW AND MASONRY SILL @ CMU (SIM.)
SCALE: 3"=1'-0"



16 INTERIOR STOREFRONT @ STUD WALL (JAMB SIM.)
SCALE: 3"=1'-0"



17 TYPICAL COLUMN FURRING
SCALE: 1/2"=1'-0"

REVISION	DESCRIPTION	DATE

1525 WEST SAGUO BLVD.
SUITE 100
MESA, AZ 85204
PHONE (602) 341-0978
FAX (602) 341-0987

WAYNE SCHREINER AIA
THOMAS M. SILVA AIA

HSA
ARCHITECTS

MISCELLANEOUS DETAILS

CITY OF LAS VEGAS DEPARTMENT OF PARK AND LEISURE ACTIVITIES
DURANGO RECREATION FACILITY

Job Title: DURANGO RECREATION FACILITY
Job No: 960901
Date: 20 FEB. 1998
Drawn By: CRL
Check: WPS
Sheet: A25
30 of 36

71 of 118
658.59

Verify all Dimensions and Conditions at the Site

27043

650.59