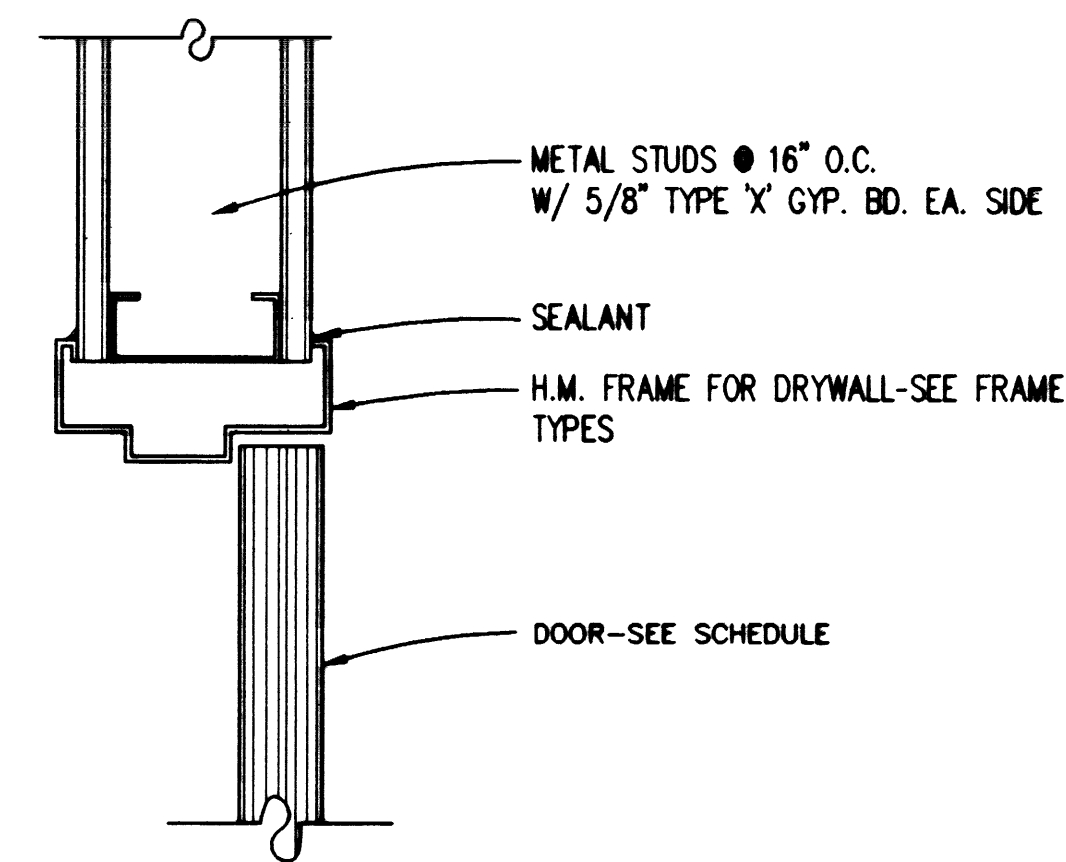
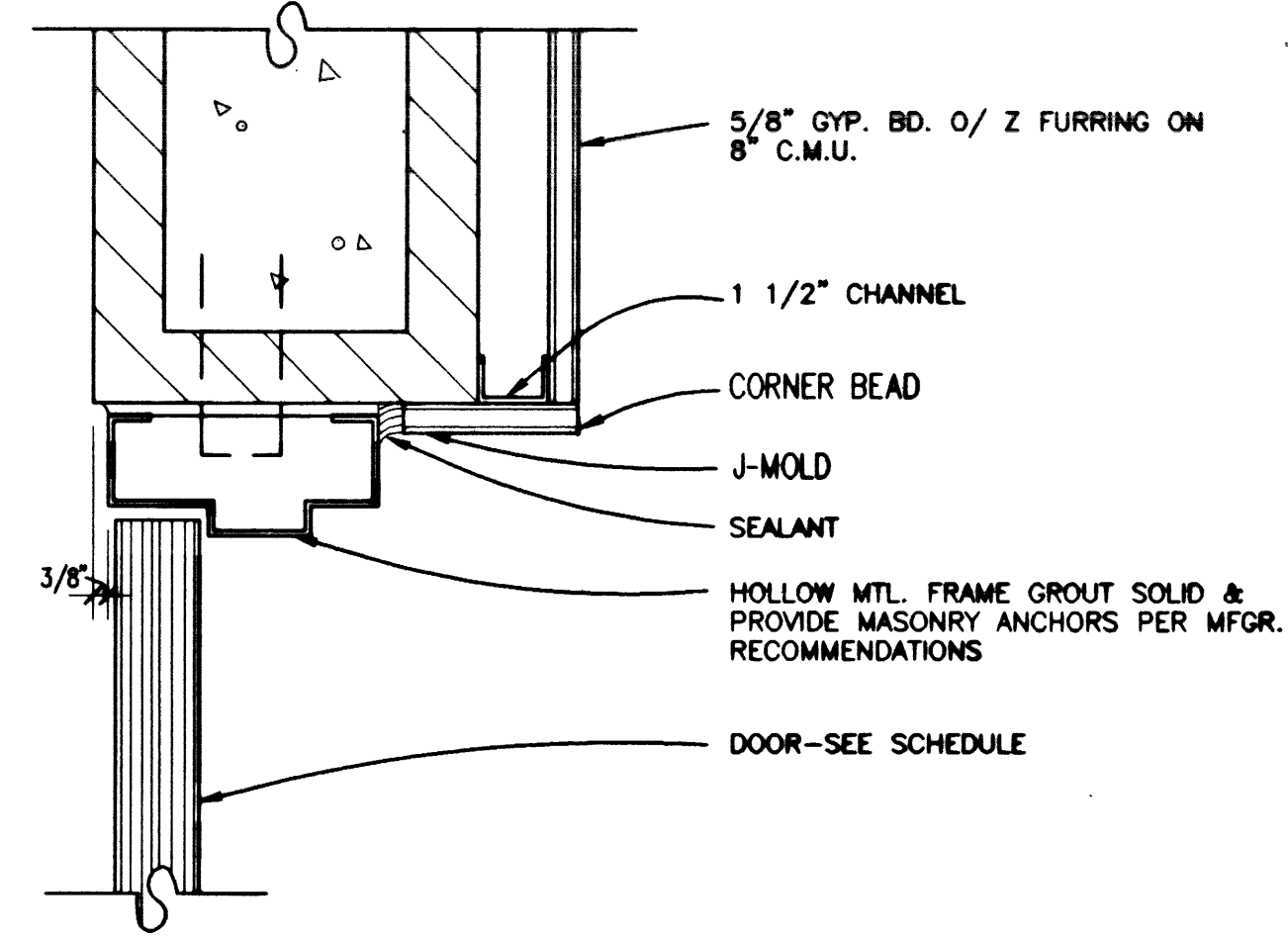


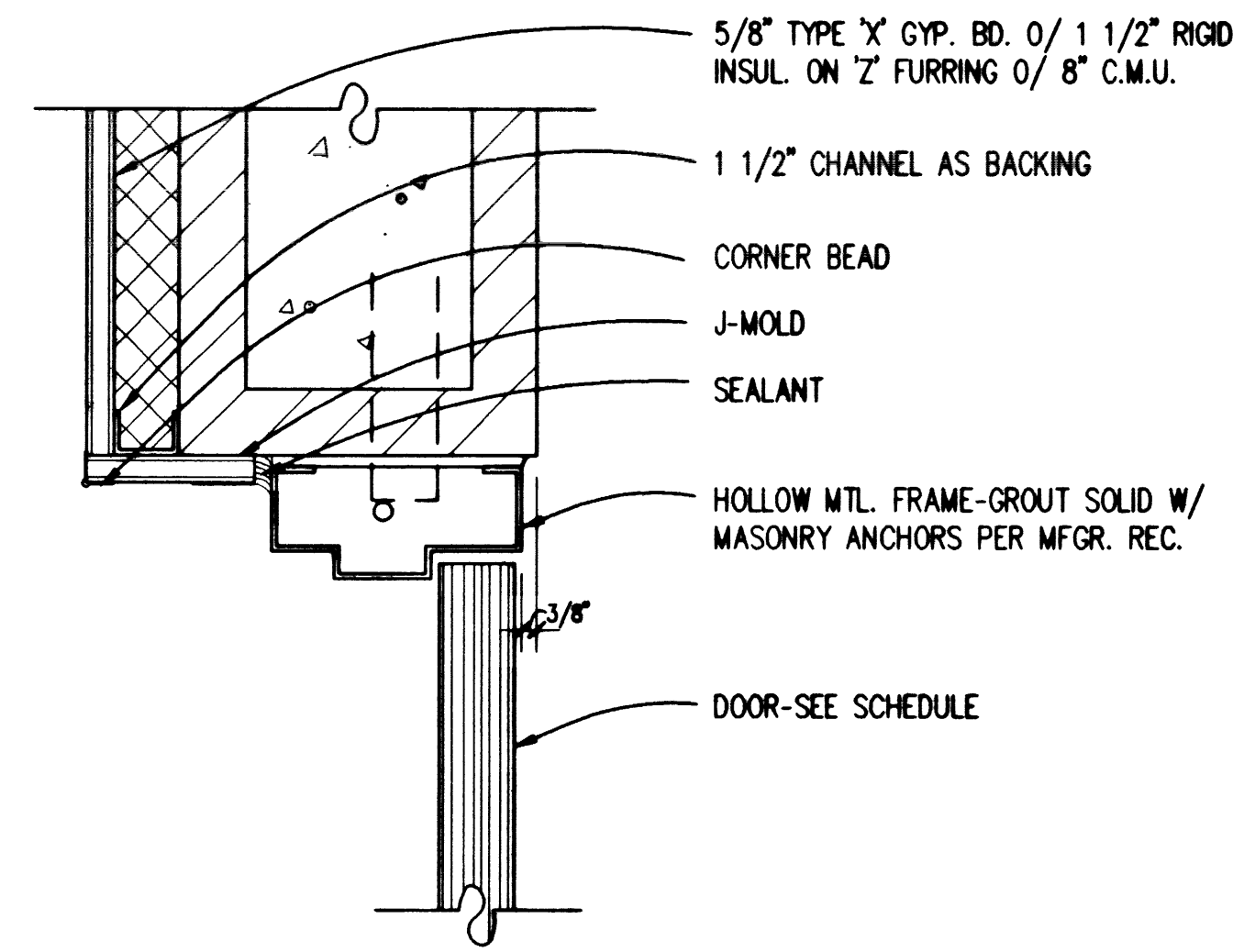
1 HEAD - EXPOSED CMU WALL (JAMB SIM.)
SCALE: 3"=1'-0"



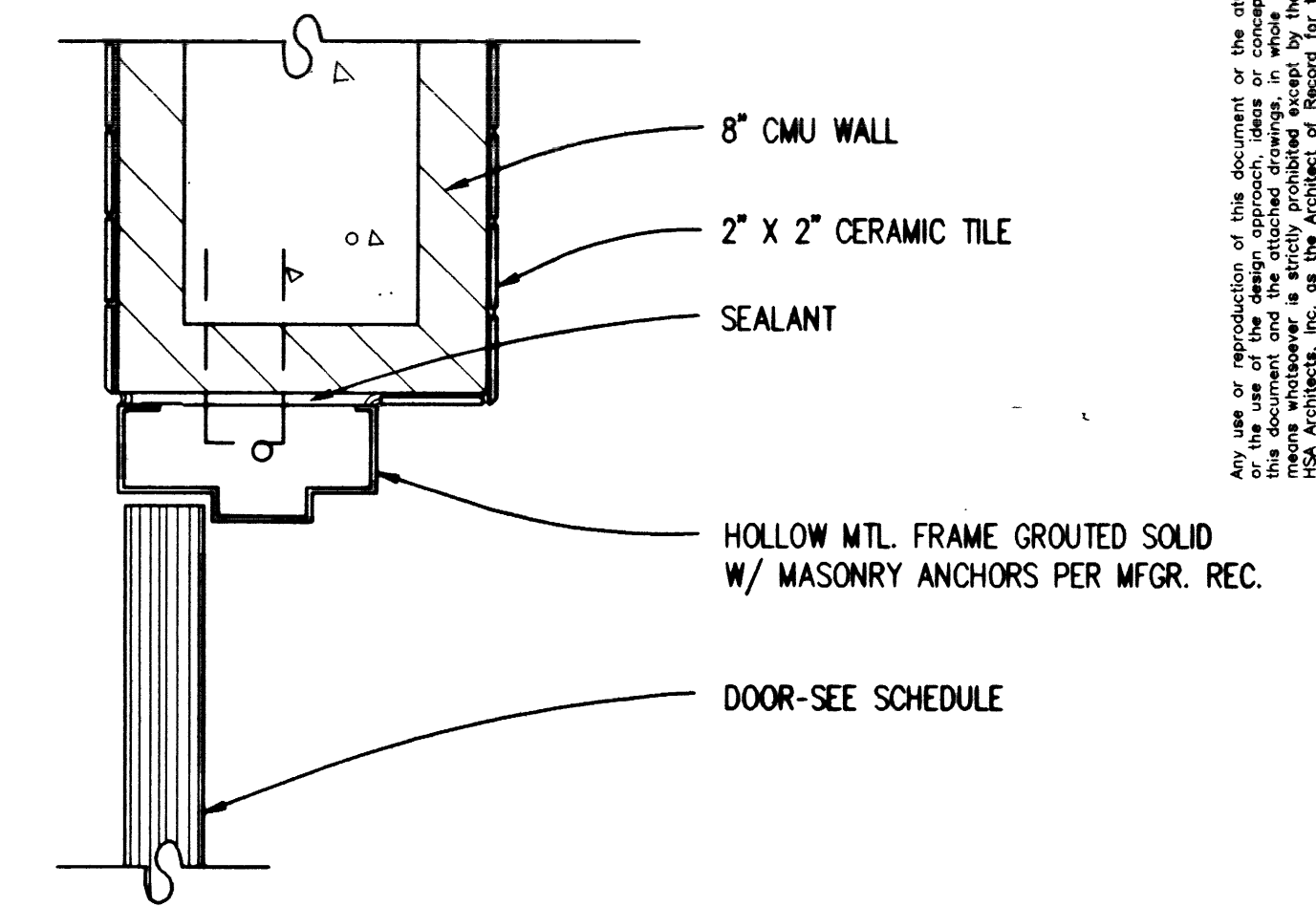
2 HEAD - STUD WALL (JAMB SIM.)
SCALE: 3"=1'-0"



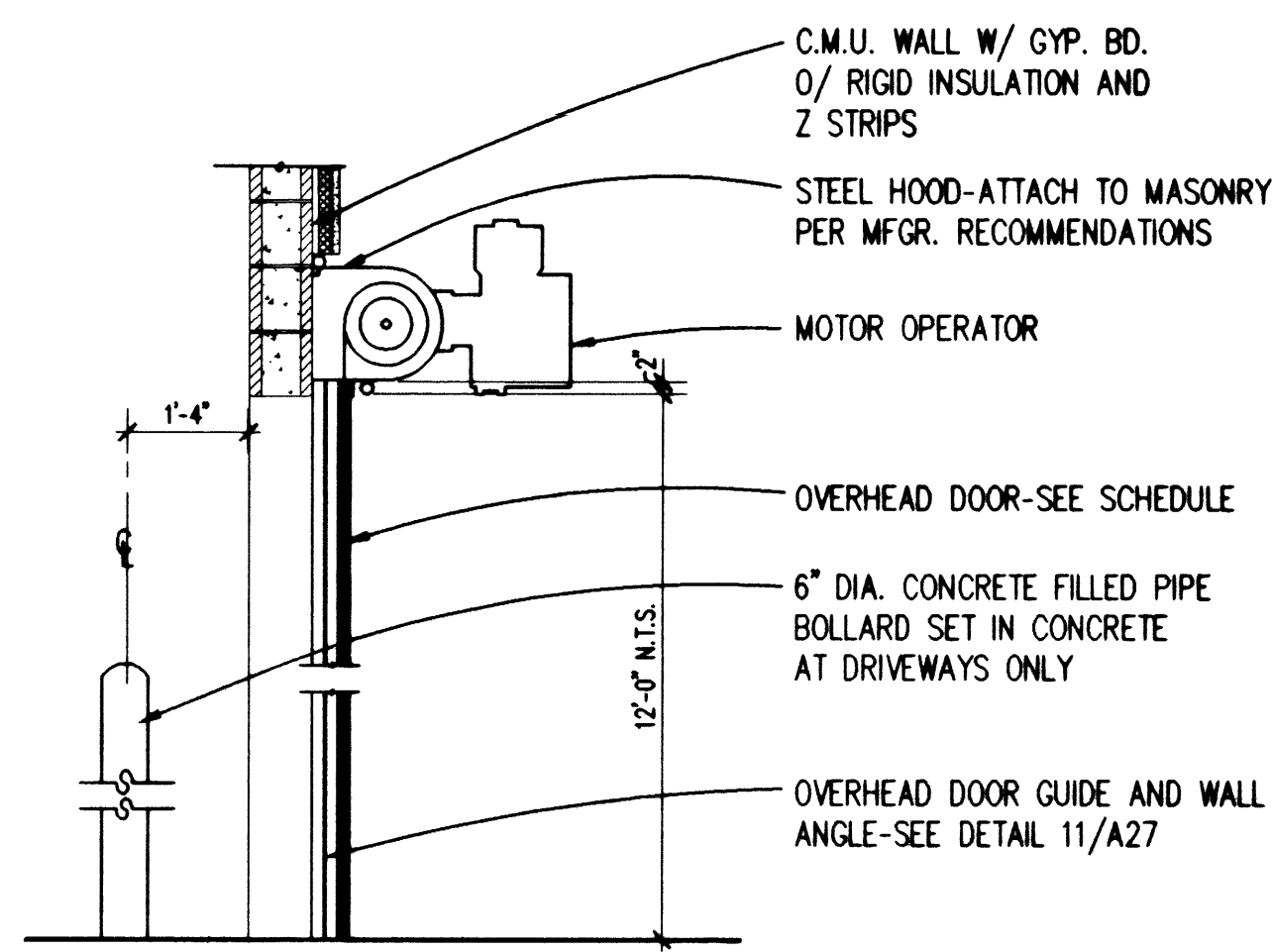
3 HEAD - C.M.U. (JAMB SIM.)
SCALE: 3"=1'-0"



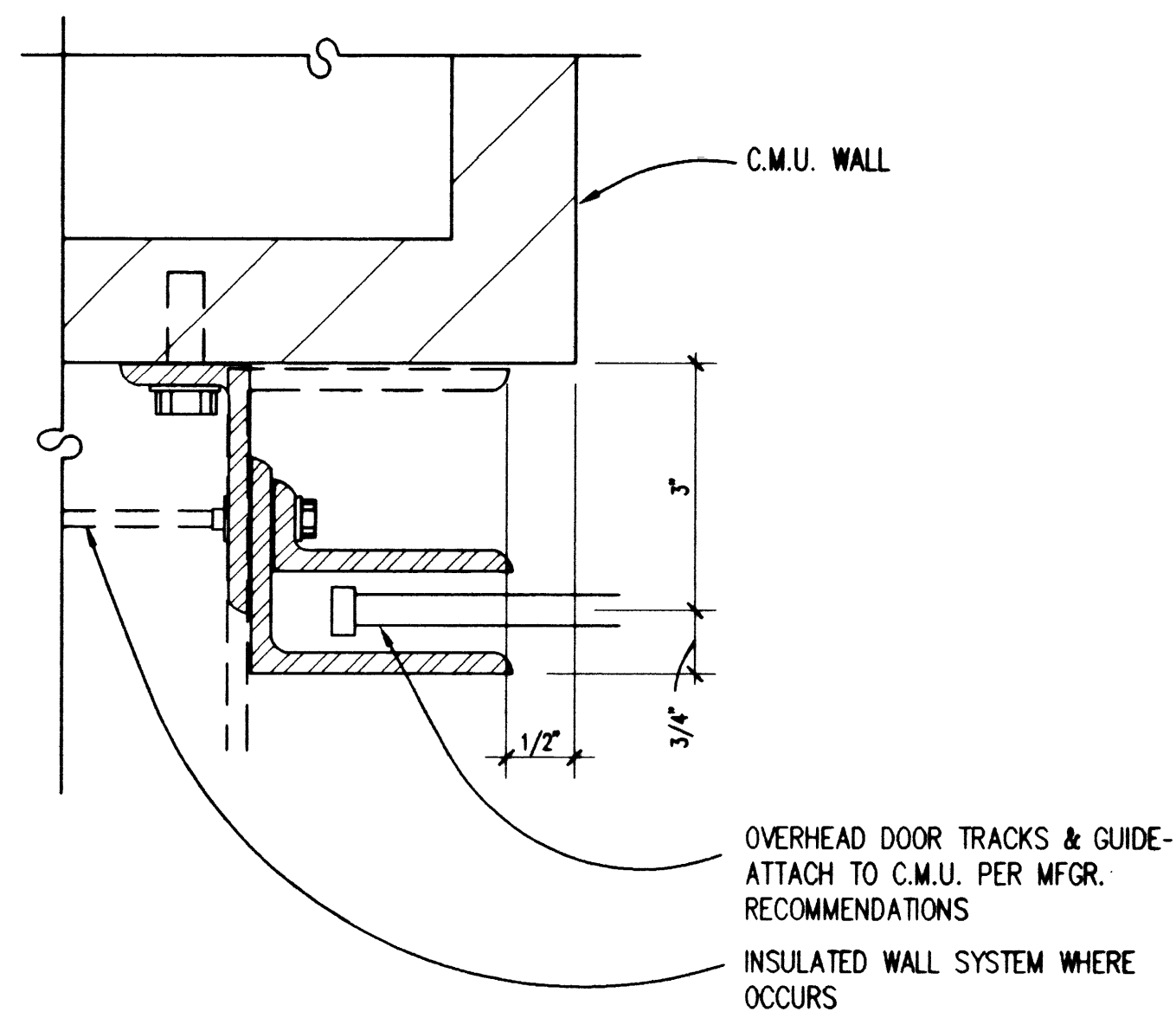
4 HEAD - FURRED C.M.U. WALL (JAMB SIM.)
SCALE: 3"=1'-0"



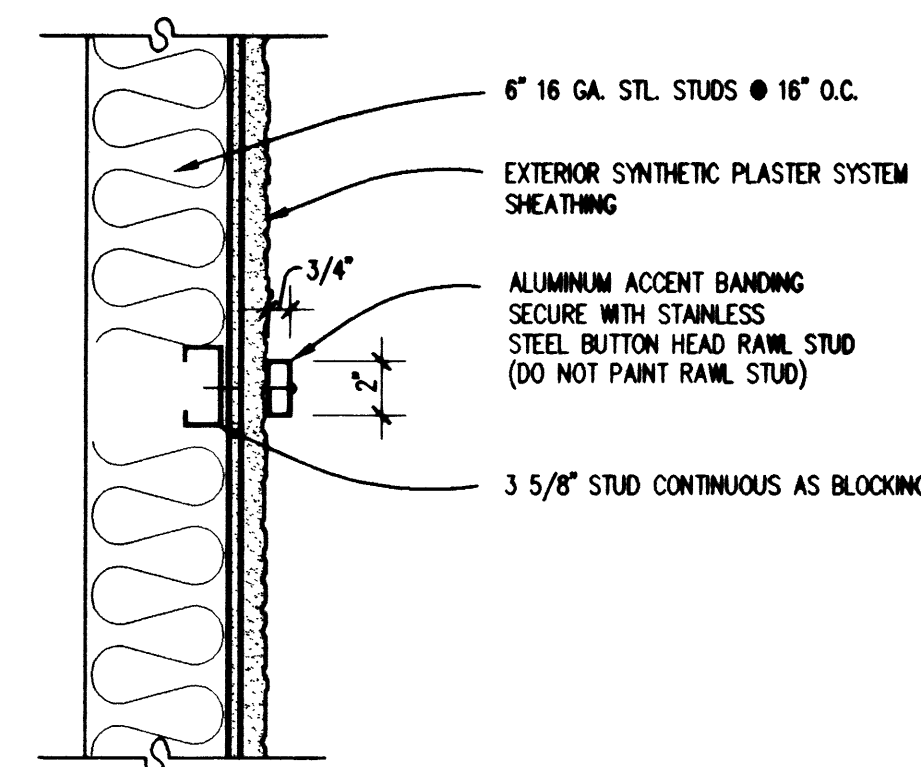
5 HEAD - C.M.U. & TILE (JAMB SIM.)
SCALE: 3"=1'-0"



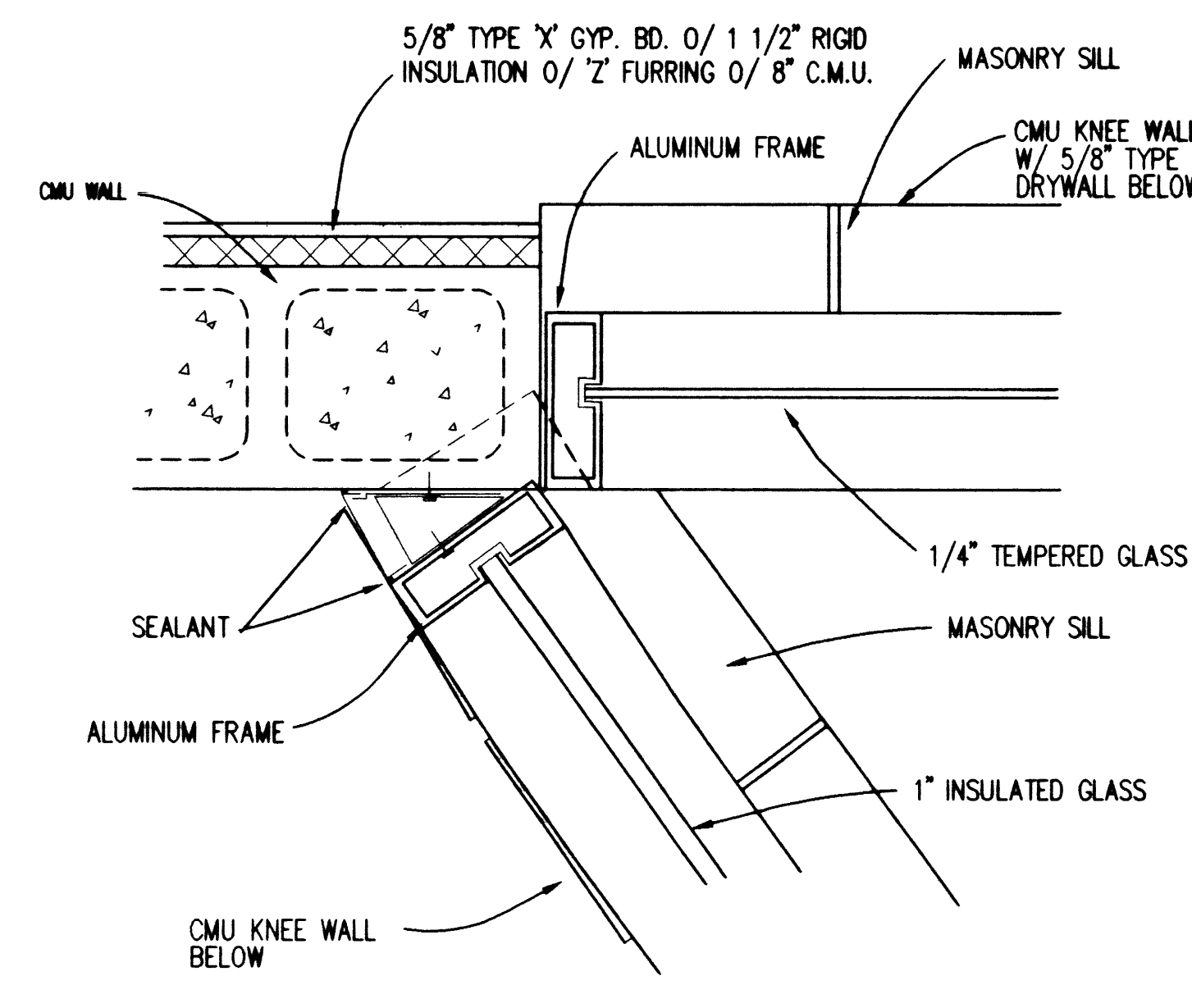
6 SECTION - OVERHEAD DOOR
SCALE: 1/2"=1'-0"



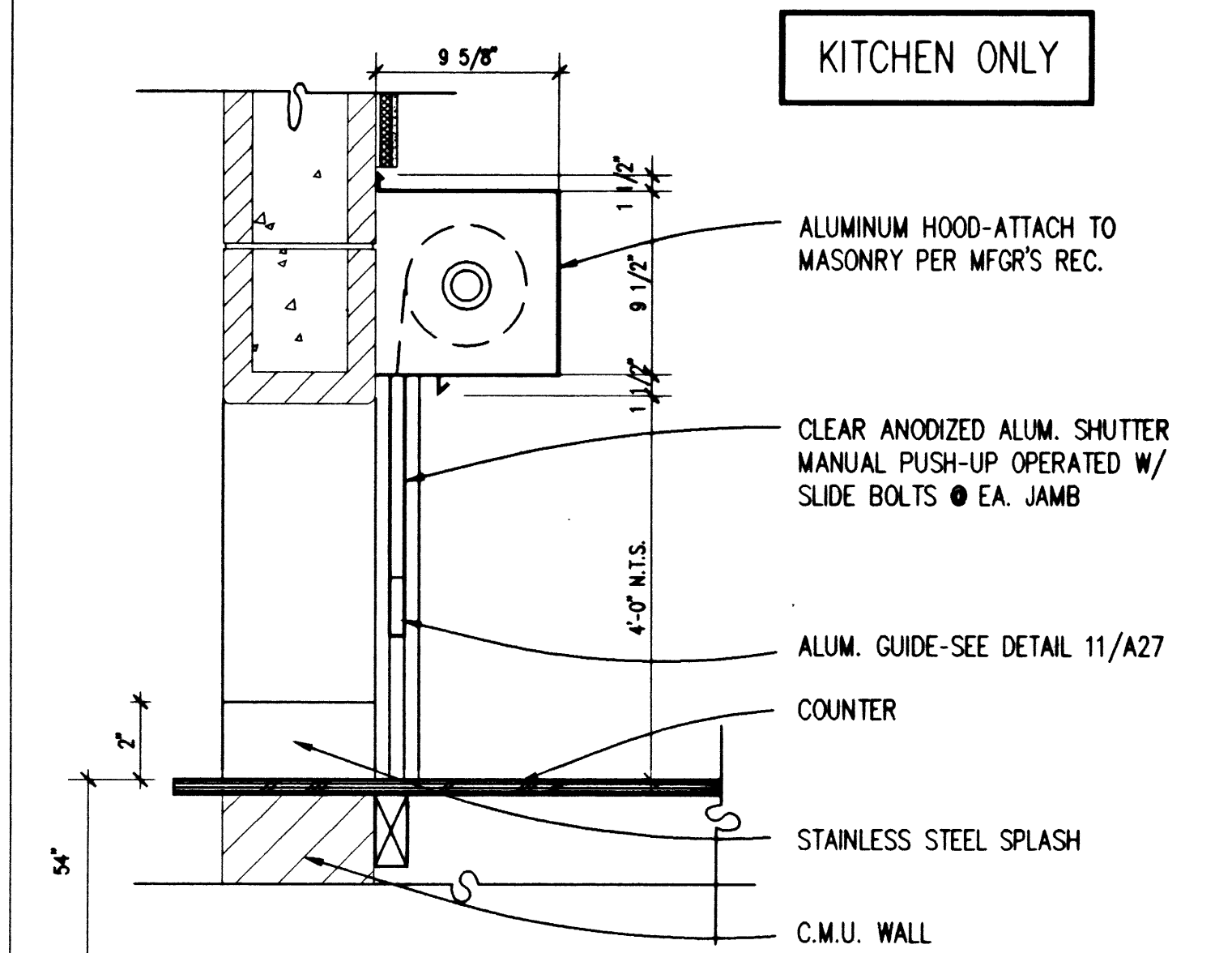
7 JAMB - OVERHEAD DOOR
SCALE: 6"=1'-0"



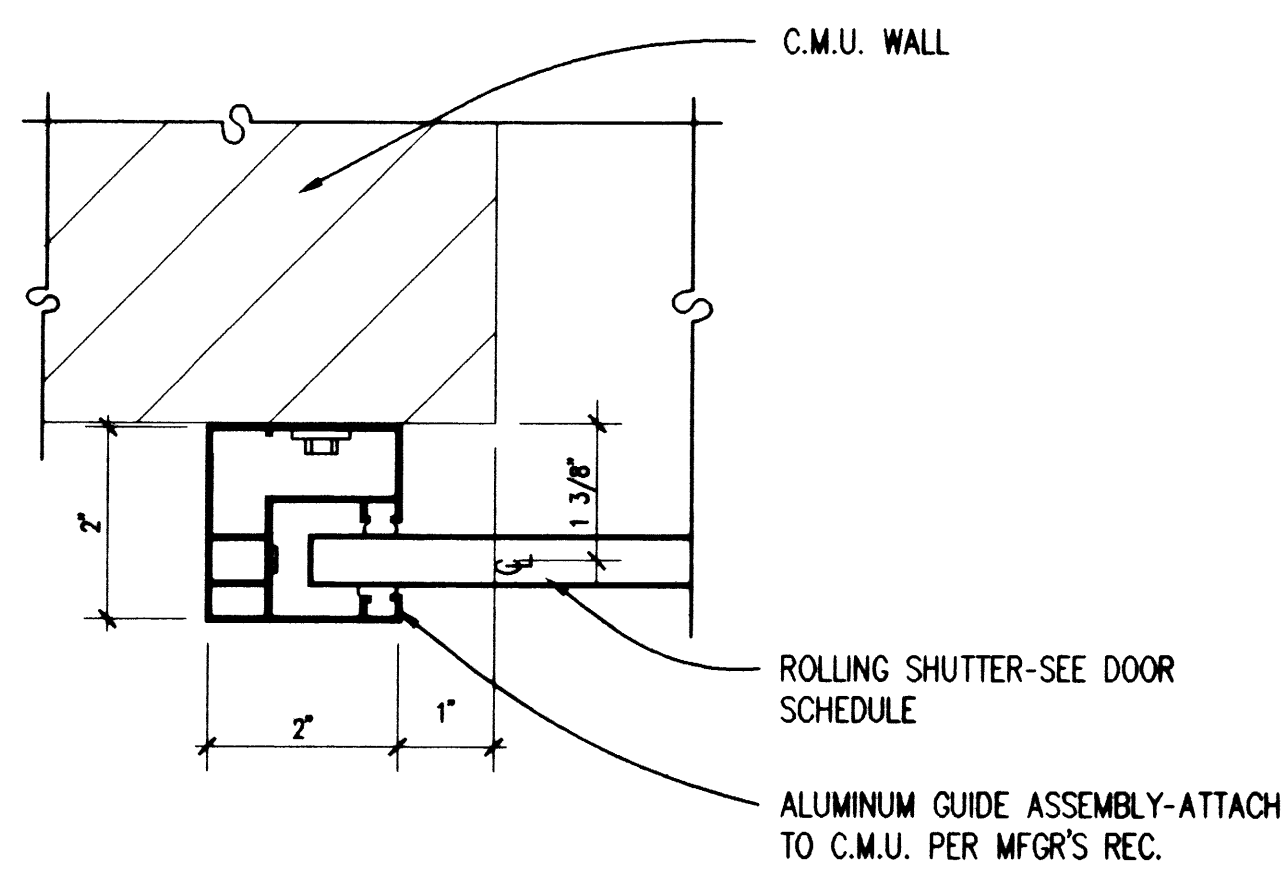
8 METAL ACCENT
SCALE: 1 1/2"=1'-0"



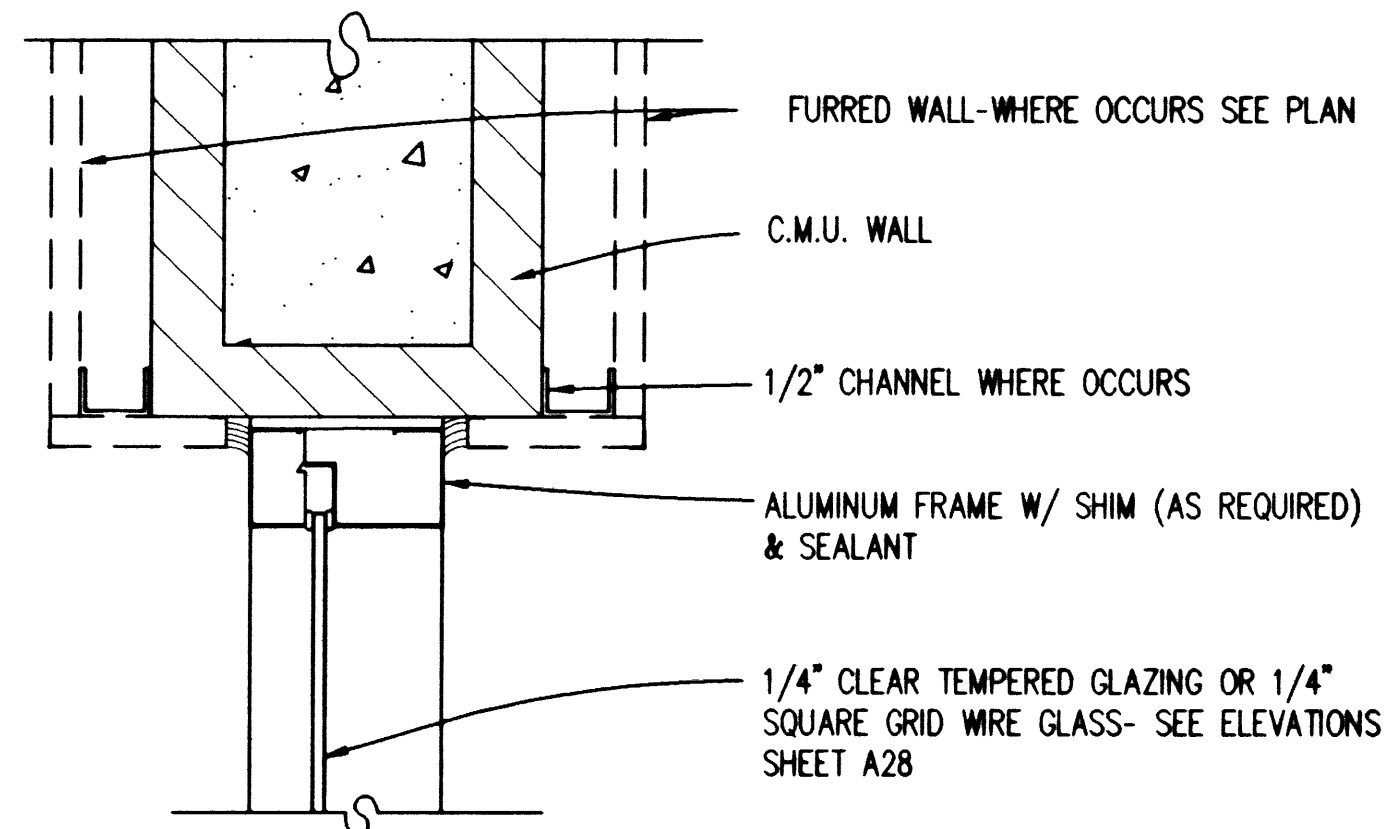
9 ENTRANCE WINDOW DETAIL
SCALE: 1 1/2"=1'-0"



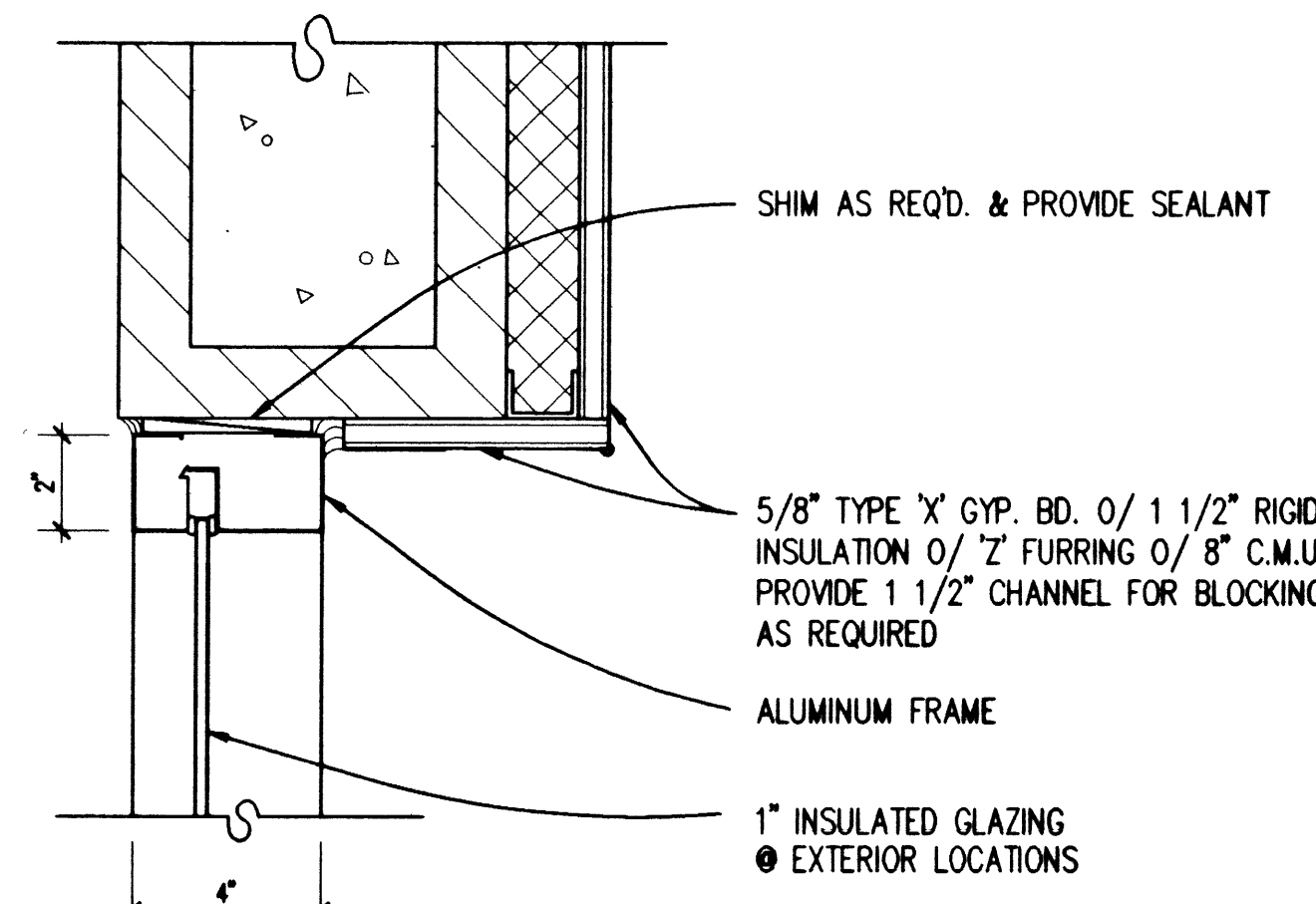
10 SECTION - ROLLING SHUTTER
NOT TO SCALE



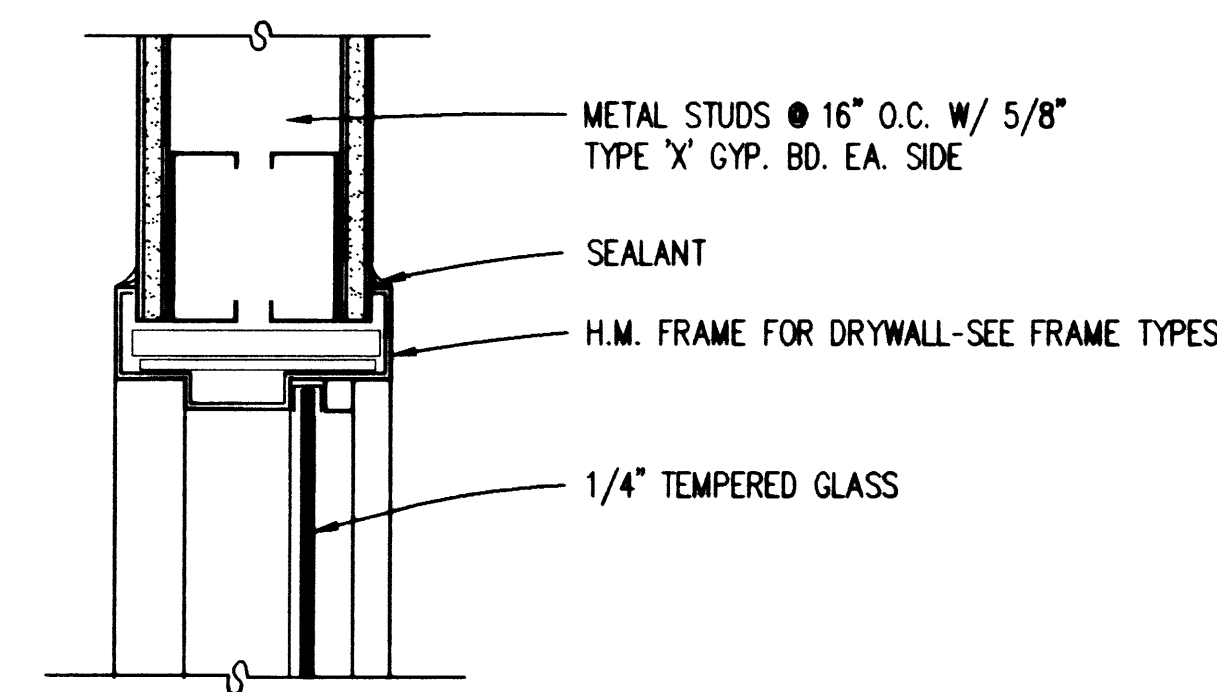
11 JAMB - ROLLING SHUTTER
SCALE: 6"=1'-0"



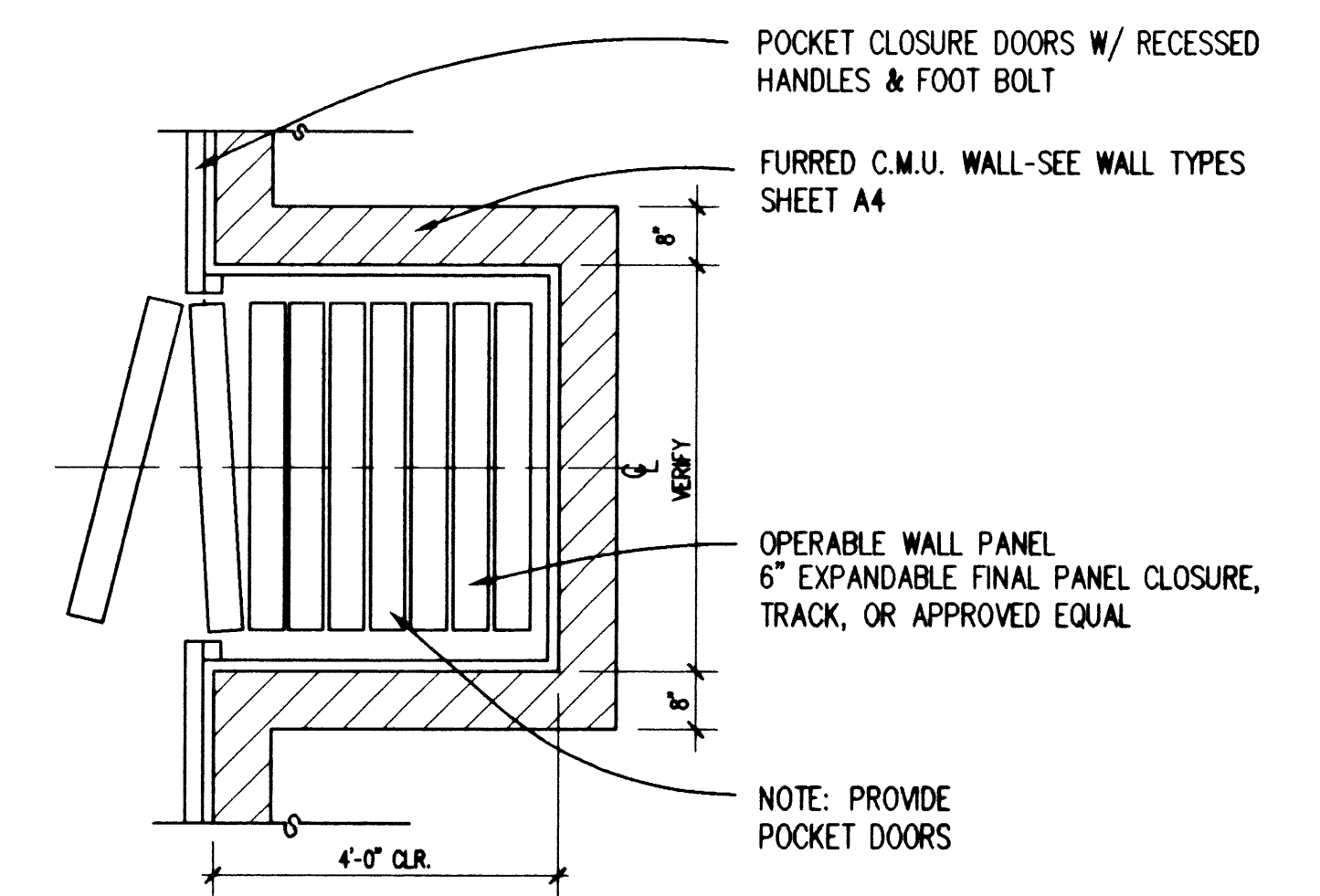
12 ALUMINUM OR H.M. HEAD - INTERIOR WALL (JAMB & SILL SIM.)
SCALE: 3"=1'-0"



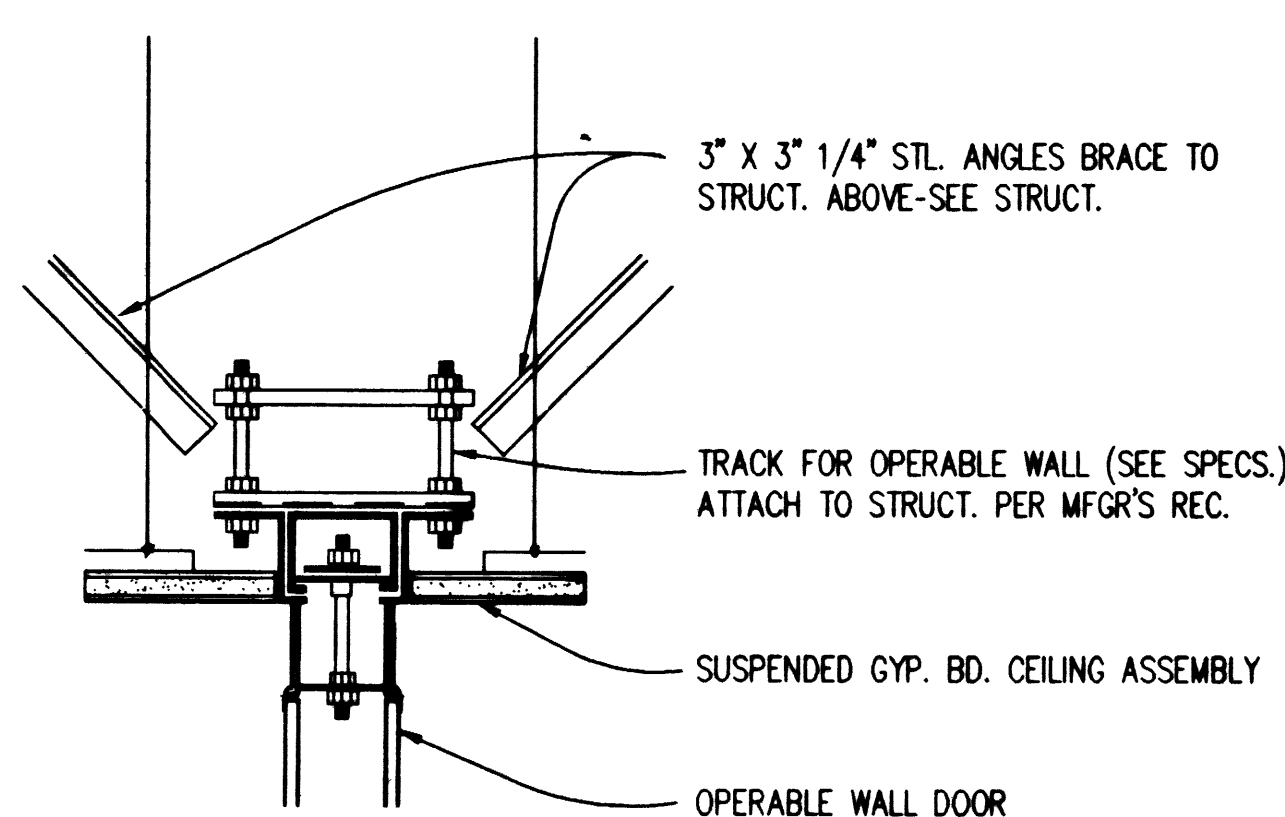
13 ALUMINUM OR H.M. HEAD - EXTERIOR WALL (JAMB & SILL SIM.)
SCALE: 3"=1'-0"



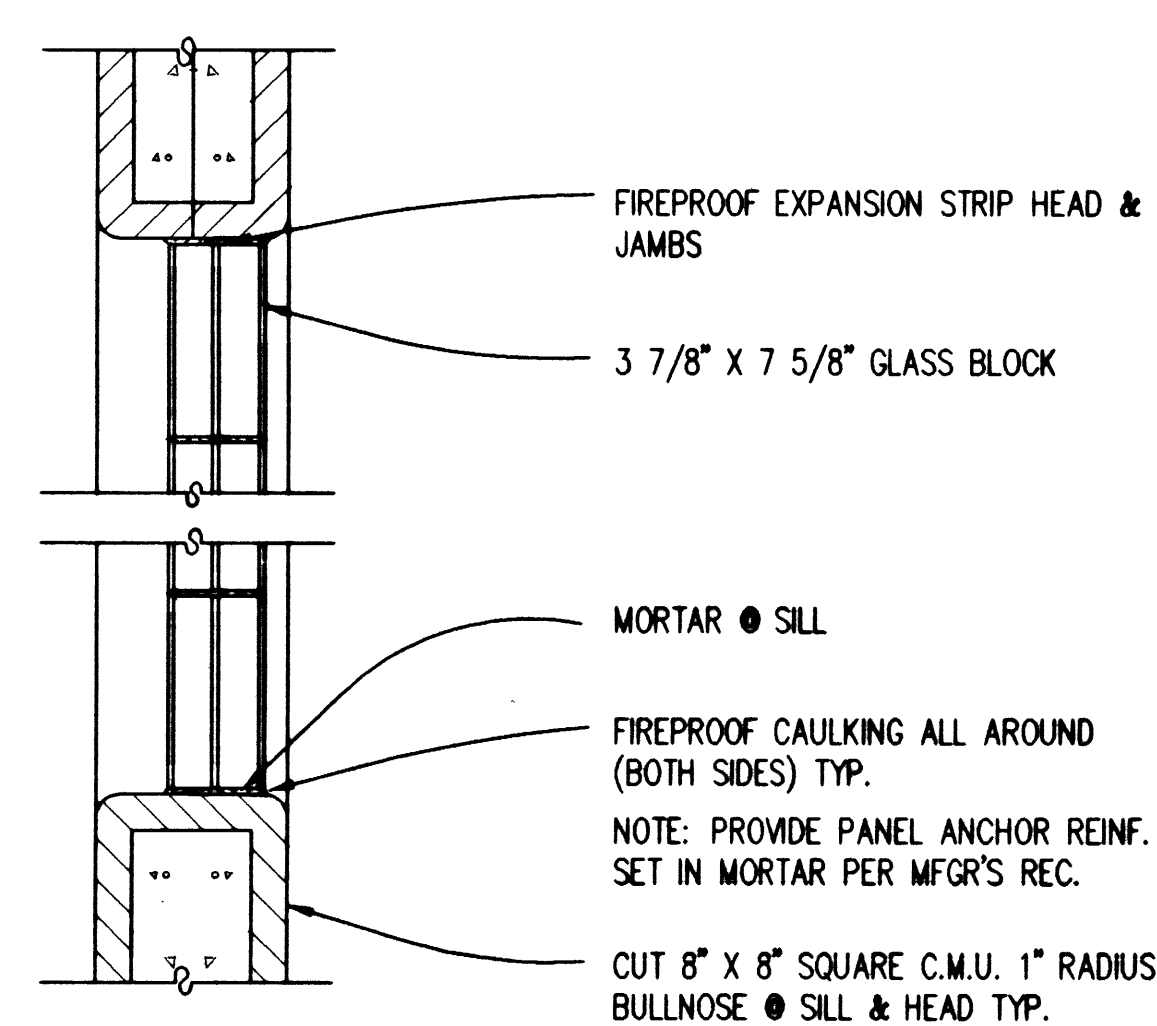
14 HEAD - STUD WALL (JAMB & SILL SIM.)
SCALE: 3"=1'-0"



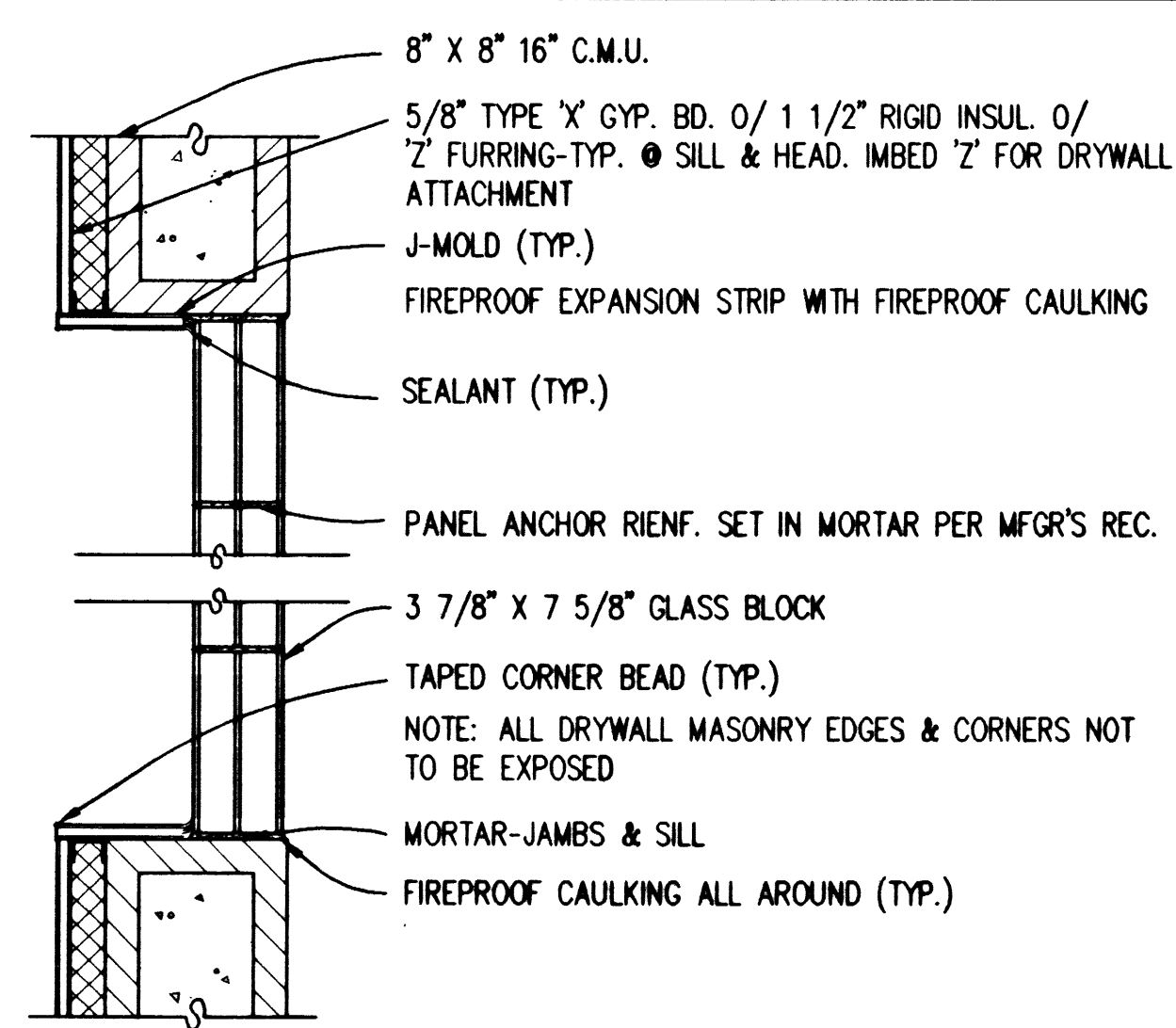
15 OPERABLE WALL POCKET
SCALE: 1 1/2"=1'-0"



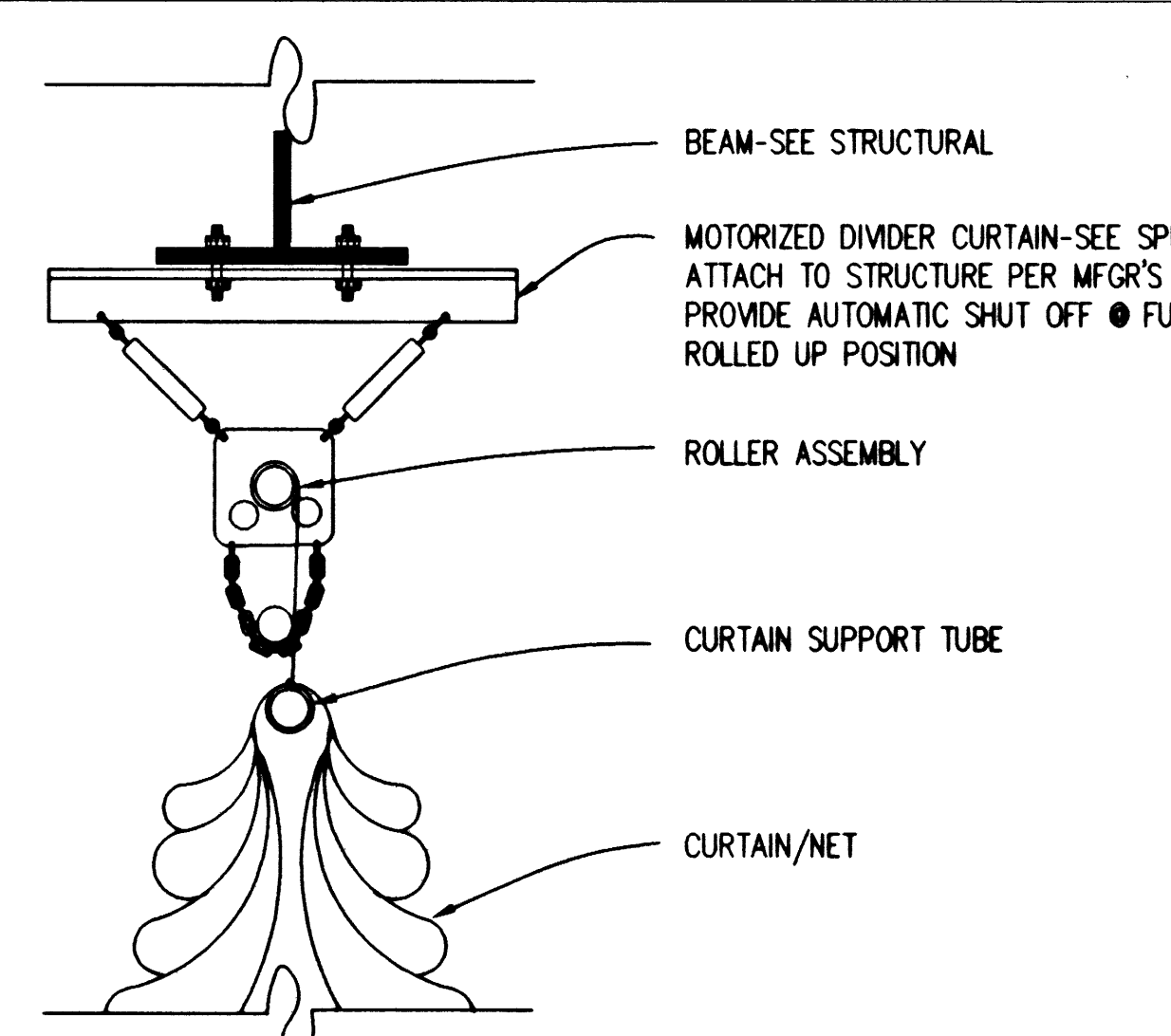
16 HEAD - OPERABLE WALL
SCALE: 1 1/2"=1'-0"



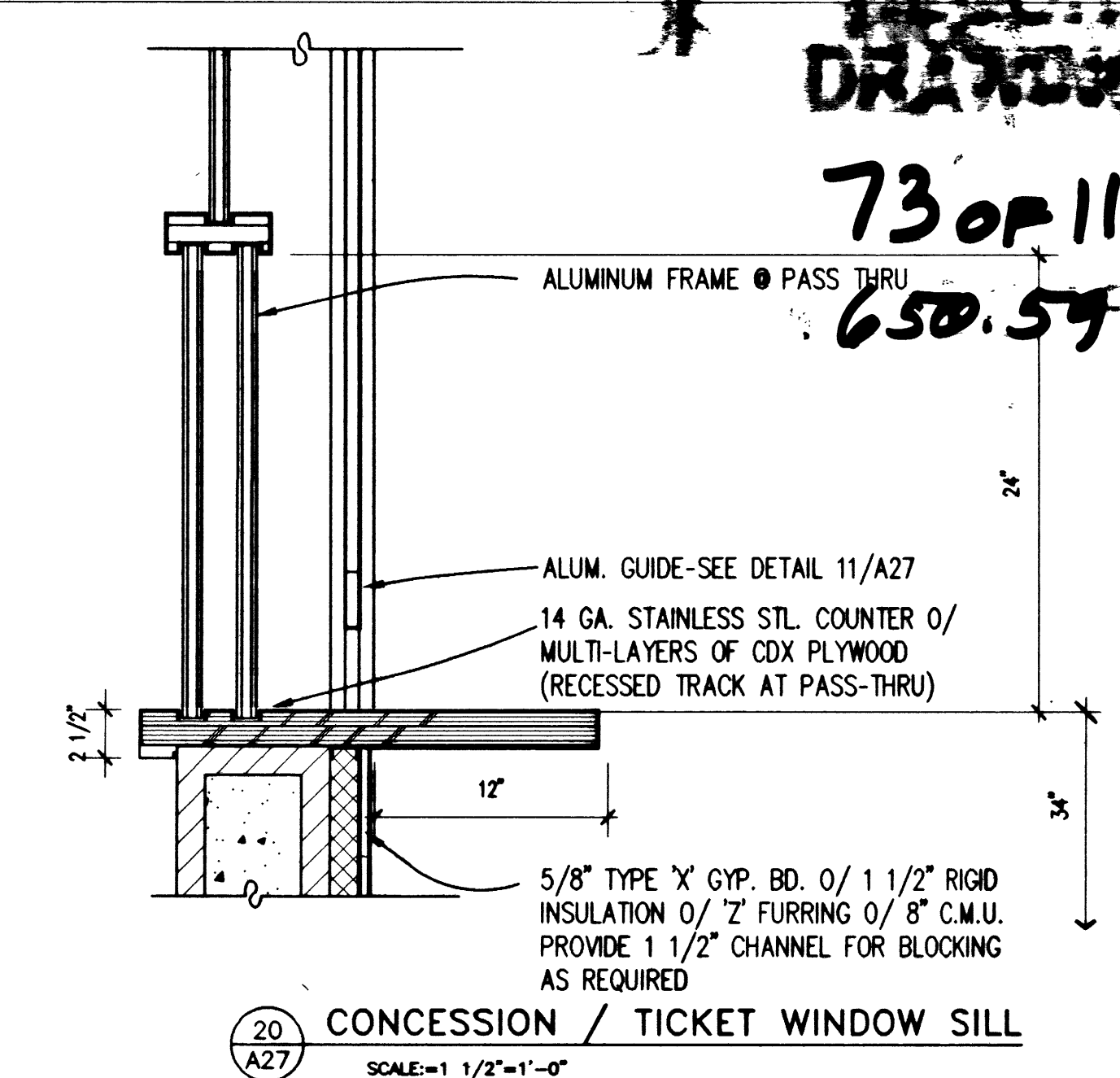
17 INT. GLASS BLOCK OPENING
SCALE: 1 1/2"=1'-0"



18 EXT. GLASS BLOCK OPENING
SCALE: 1 1/2"=1'-0"



19 DIVIDER CURTAIN ATTACHMENT - GYM
NOT TO SCALE



20 CONCESSION / TICKET WINDOW SILL
SCALE: 1 1/2"=1'-0"

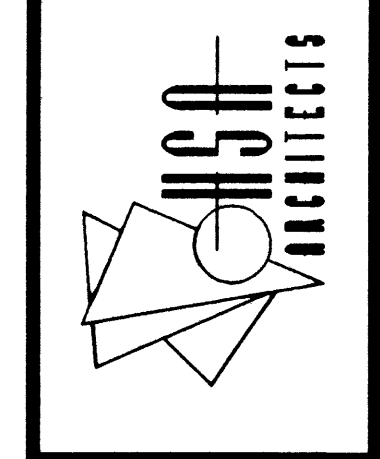
Any use or reproduction of this document or the attached drawings, without the written consent of the architect, is prohibited. The architect shall not be responsible for any errors or omissions in this document, or for any consequences arising therefrom, whether or not such errors or omissions are caused in whole or in part by the negligence of the architect.

DATE

REVISION	DESCRIPTION

WAYNE SCHREINER AIA
THOMAS M. SILVA AIA

1525 WEST OAKLEY BLVD.
LAS VEGAS, NV 89102
(702) 345-0077
FAX (702) 383-0057



Sheet Title: DOOR & WINDOW DETAILS
Job Title: CITY OF LAS VEGAS DEPARTMENT OF PARK AND LEISURE ACTIVITIES DURANGO RECREATION FACILITY
Verify all Dimensions and Conditions at the Site

Sheet No.	960901
Date	20 FEB. 1998
Drawn By	CRL
Check	WPS
Sheet	A27
	72 of 36

27045

73 of 118
650.59

650.59