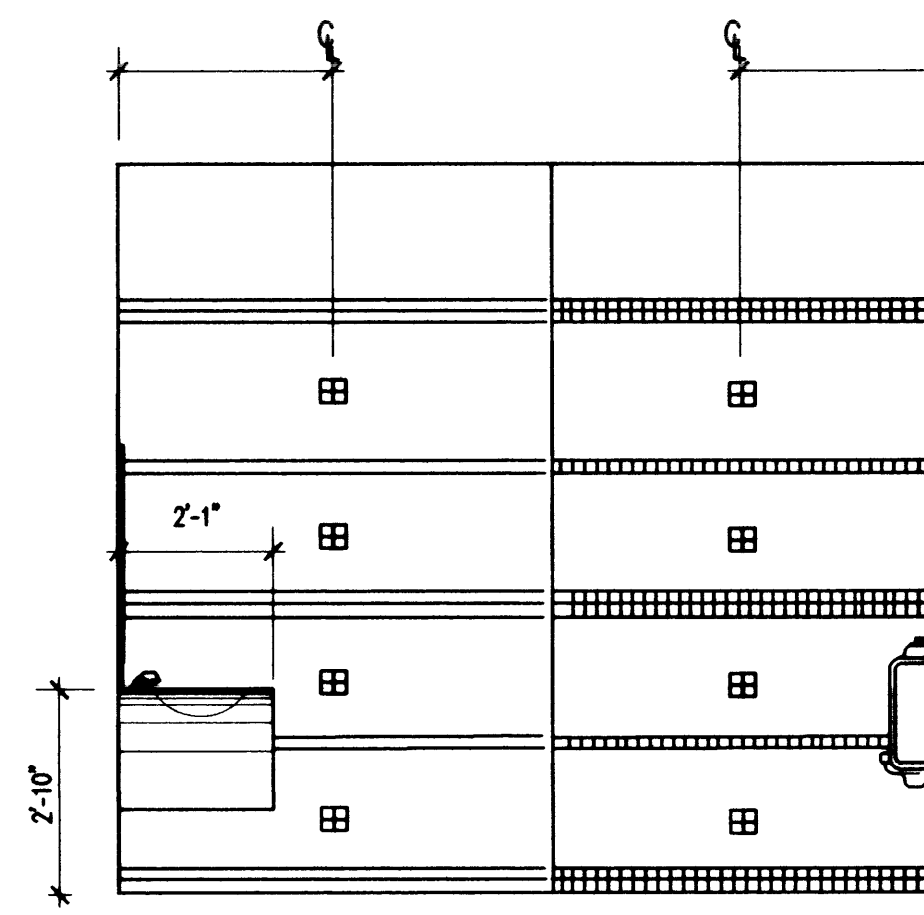
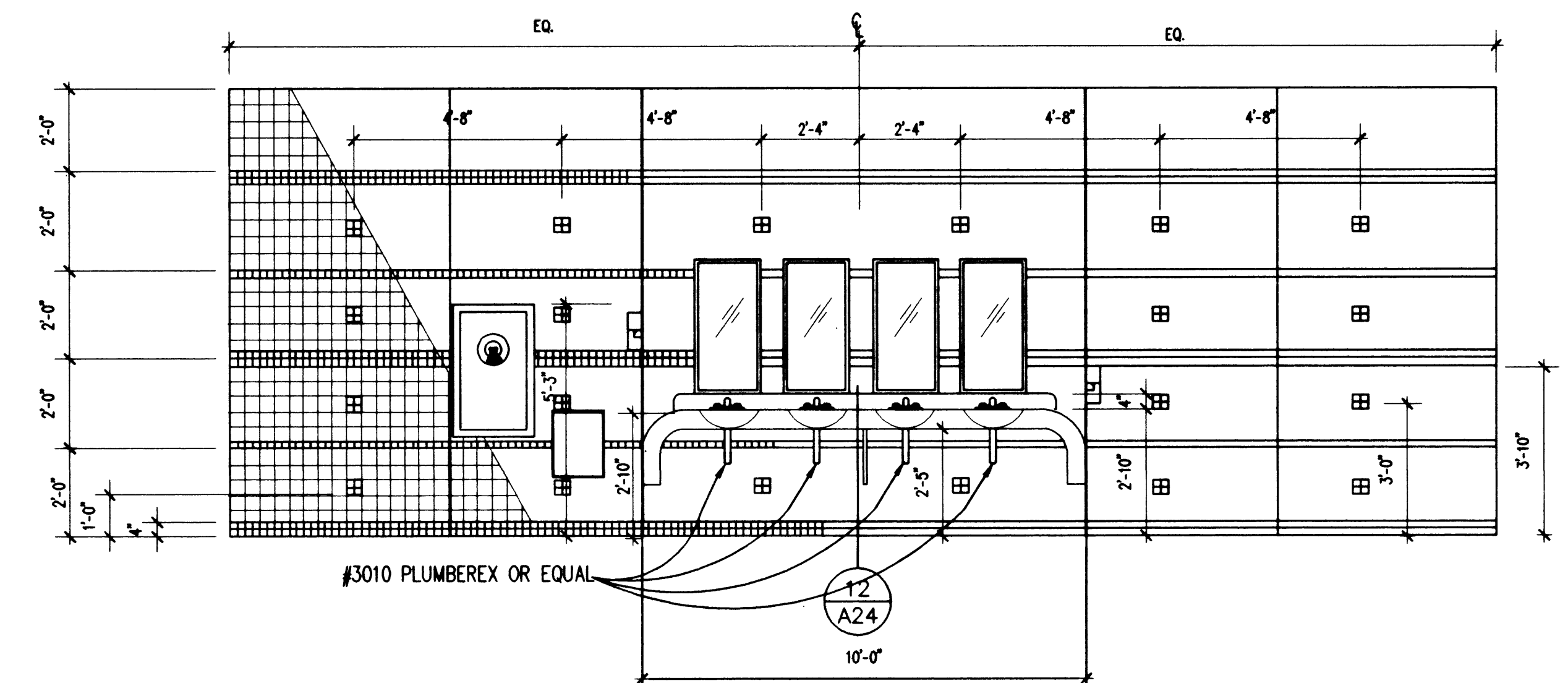


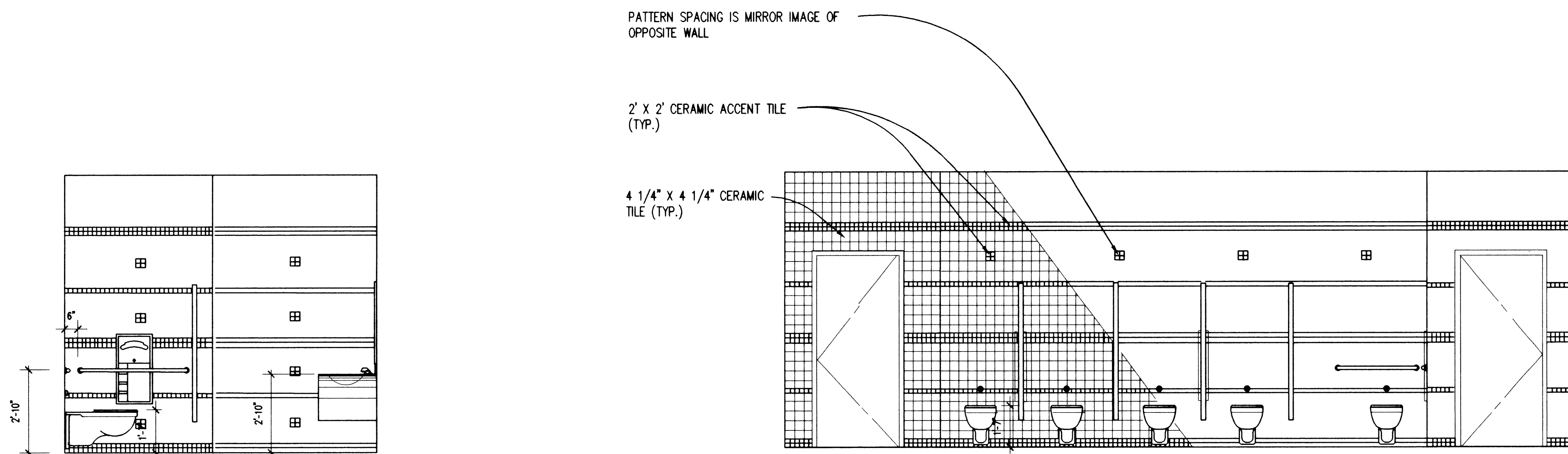
1 MEN'S TOILET ROOM 120
A17.1 SCALE: 3/8" = 1'-0"



2 MEN'S TOILET ROOM 120
A17.1 SCALE: 3/8" = 1'-0"



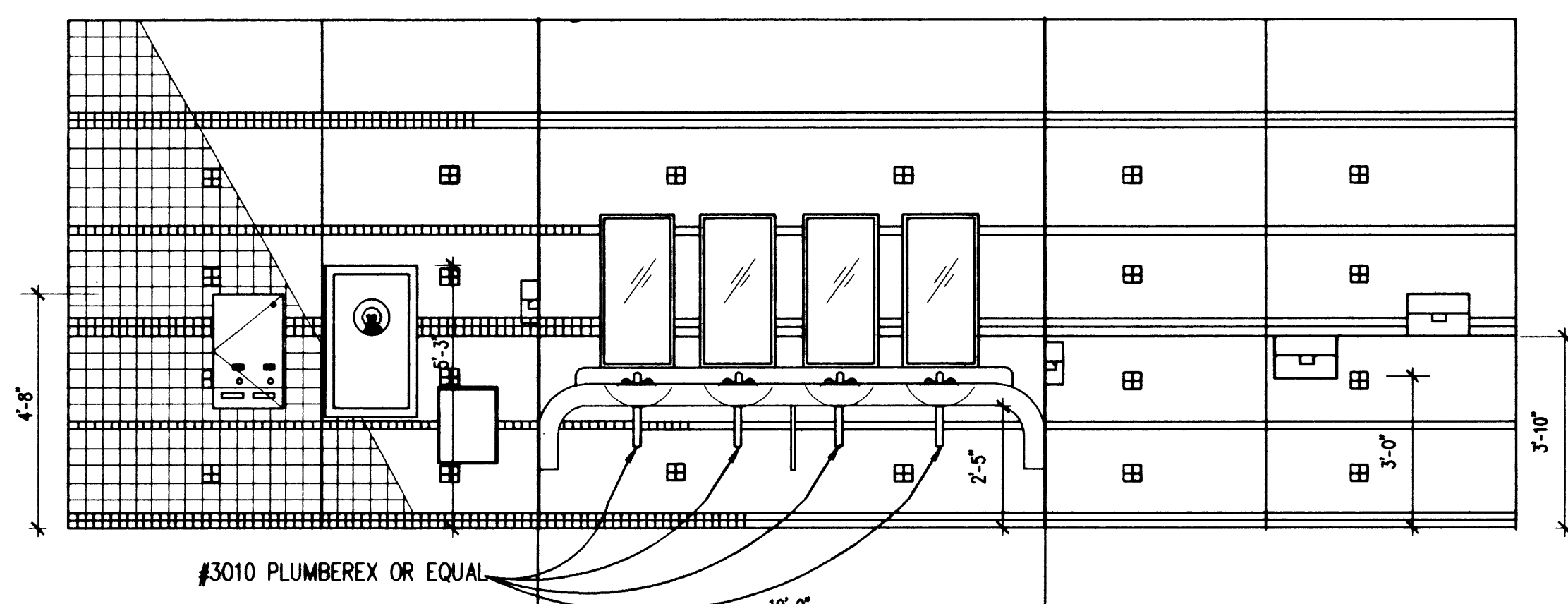
3 MEN'S TOILET ROOM 120
A17.1 SCALE: 3/8" = 1'-0"



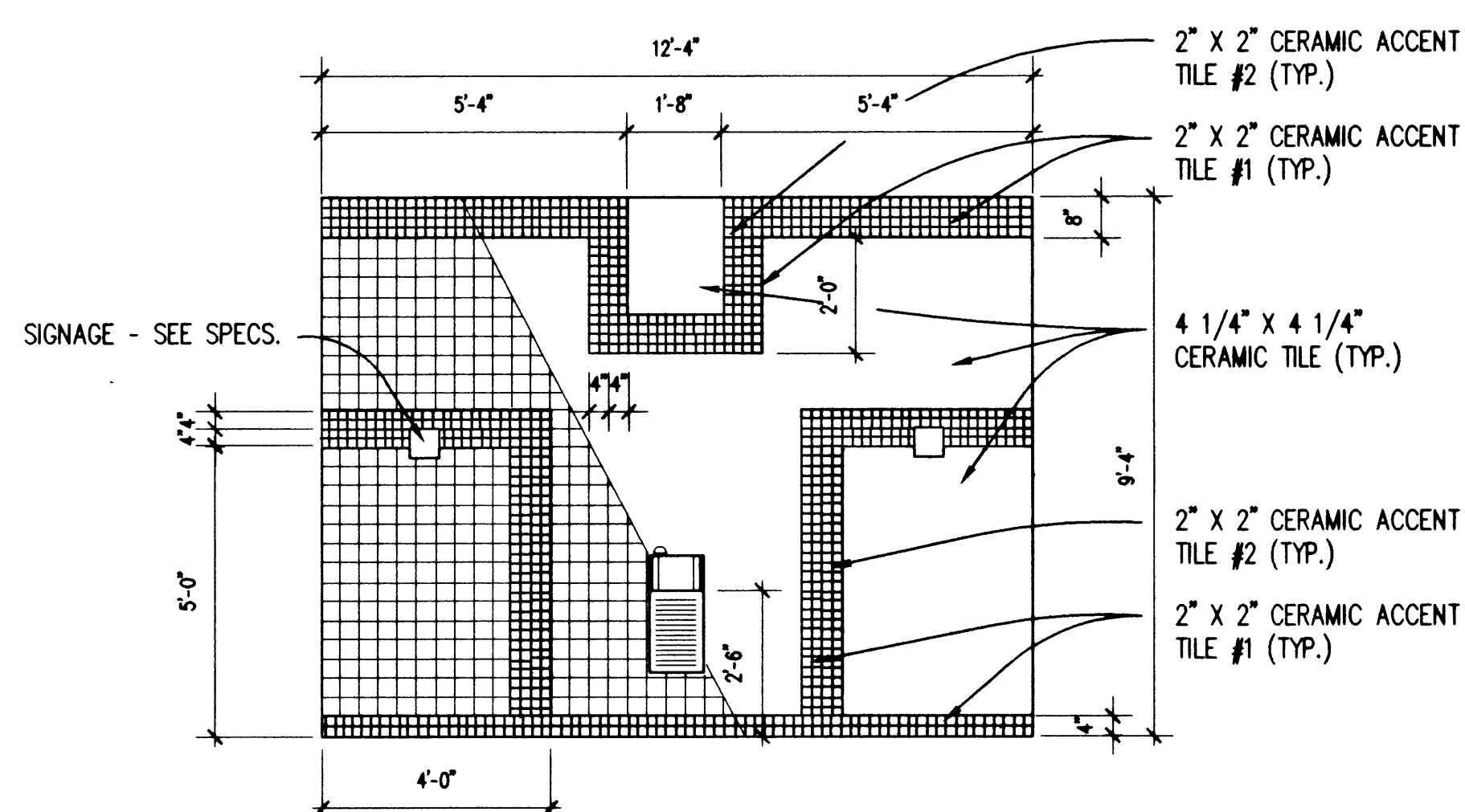
4 MEN'S TOILET ROOM 120
A17.1 SCALE: 3/8" = 1'-0"

5 WOMEN'S TOILET ROOM 119
A17.1 SCALE: 3/8" = 1'-0"

6 WOMEN'S TOILET ROOM 119
A17.1 SCALE: 3/8" = 1'-0"



7 WOMEN'S TOILET ROOM 119
A17.1 SCALE: 3/8" = 1'-0"



8 ALCOVE 122, 122A
A17.1 SCALE: 3/8" = 1'-0"

NOTE:
SEE ENLARGED PLAN SHEET A14
FOR TOILET ACCESSORIES

NOTE:
#3010 PLUMBEREX OR EQAUL • ALL SINKS TYPICAL
ALL RESTROOM FIXTURES AND ACCESSORIES SHALL
MEET A.D.A. & '94 U.B.C. HANDICAP REQUIREMENTS

RECORD
LIBRARY
DRAWINGS

62 of 118
650.59

DATE	
DESCRIPTION	
REVISION	
WAYNE SCHREINER AIA	
THOMAS M. SILVA AIA	
1525 WEST OAKLEY BLVD. LAS VEGAS, NV. 89102 (702) 382-0077 FAX (702) 382-0077	
ISA INTERIORS ARCHITECTS	
INTERIOR ELEVATIONS	
SHEET TITLE	INTERIOR ELEVATIONS
JOB TITLE	CITY OF LAS VEGAS DEPARTMENT OF PARK AND LEISURE ACTIVITIES DURANGO RECREATION FACILITY
JOB	960901
DATE	20 FEB. 1998
DRAWN BY	CRL
CHECK	WPS
SHEET	A17.1
	21 of 36

27074

650.59