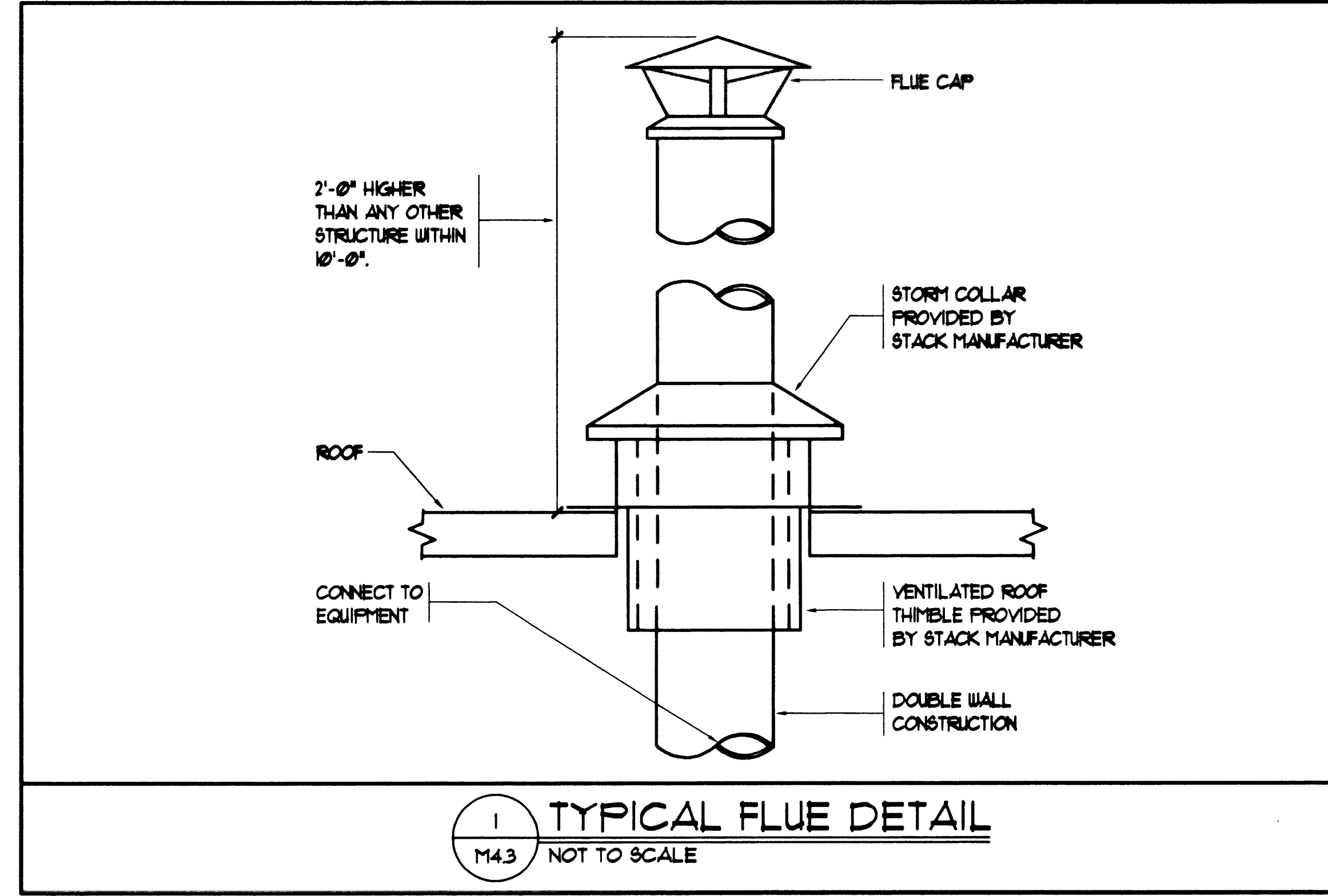
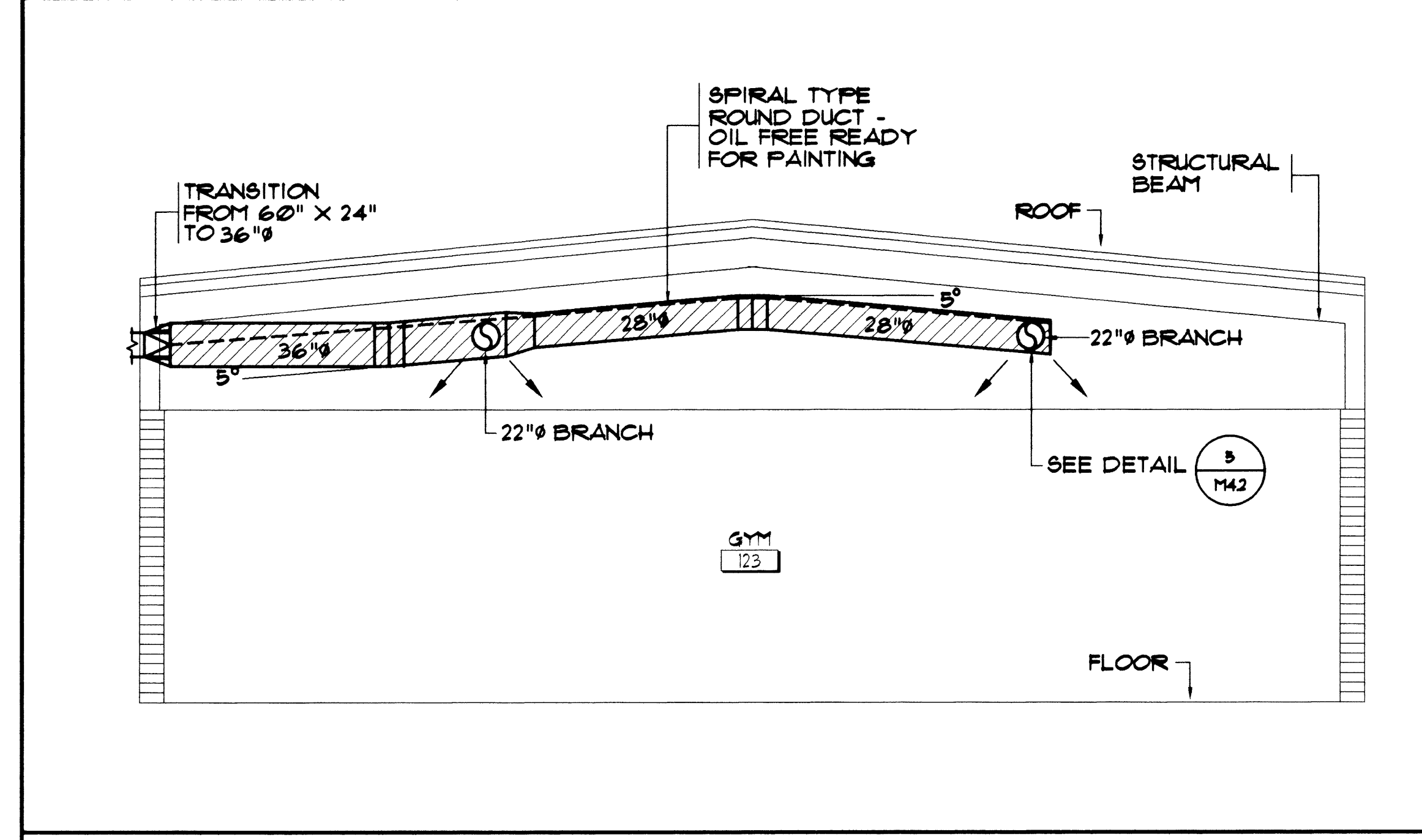


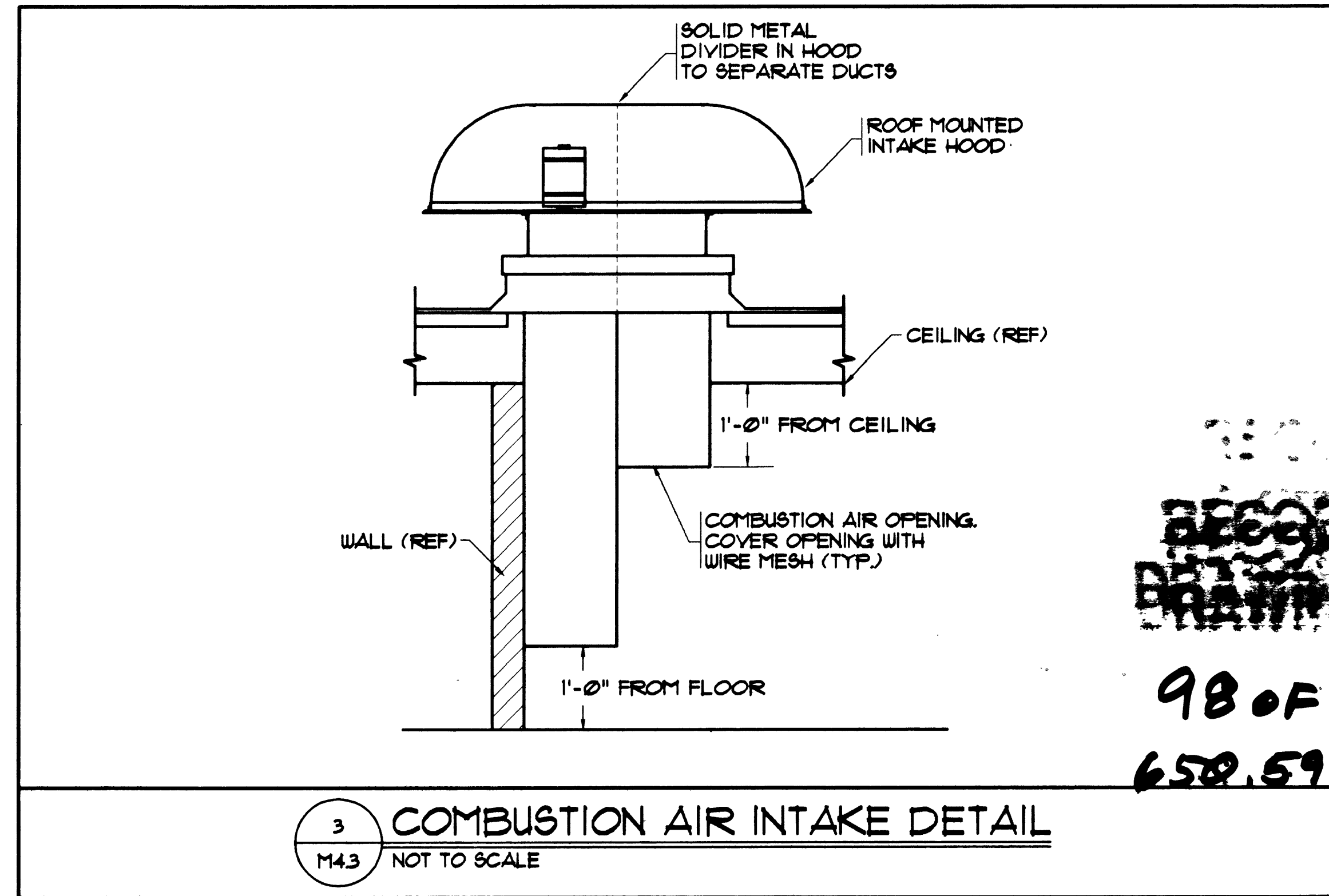
2110



1 TYPICAL FLUE DETAIL  
M4.3 NOT TO SCALE

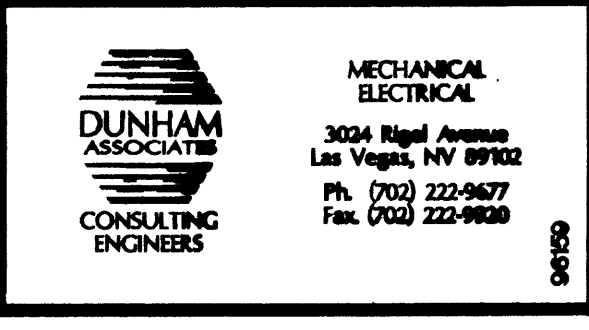


2 GYMNASIUM DUCTWORK DETAIL  
M4.3 NOT TO SCALE



3 COMBUSTION AIR INTAKE DETAIL  
M4.3 NOT TO SCALE

**RECORD DRAWINGS**  
98 OF 118  
650.59



REVISION	DESCRIPTION	DATE	REV. BY

WAYNE SCHREINER, AIA  
THOMAS M. SILVA, AIA  
1525 WEST OAKLEY BLVD  
LAS VEGAS, NV 89102  
(702) 383-0077  
FAX 383-0057

**Mechanical Details**  
CITY OF LAS VEGAS DEPARTMENT OF PARK AND LEISURE ACTIVITIES  
DURANGO RECREATION FACILITY  
Verify all Dimensions and Conditions at the Site

Job Title	MECHANICAL DETAILS
Job Title	CITY OF LAS VEGAS DEPARTMENT OF PARK AND LEISURE ACTIVITIES DURANGO RECREATION FACILITY
Job	960901
Date	2-20-98
Drawn By	DGD
Check	KJK
Sheet	M4.3
Of	94 of 118
	10 of 12

650.59