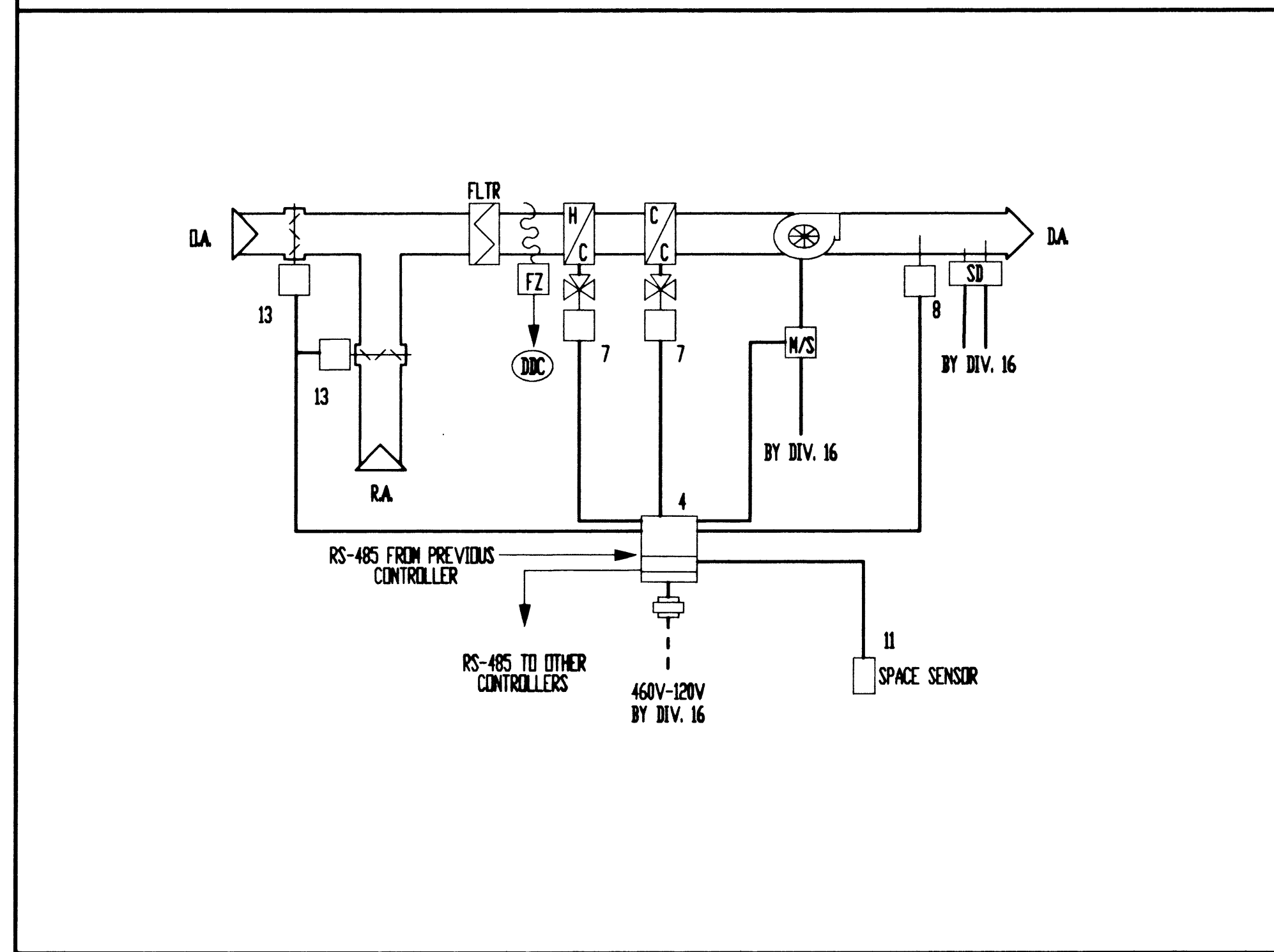
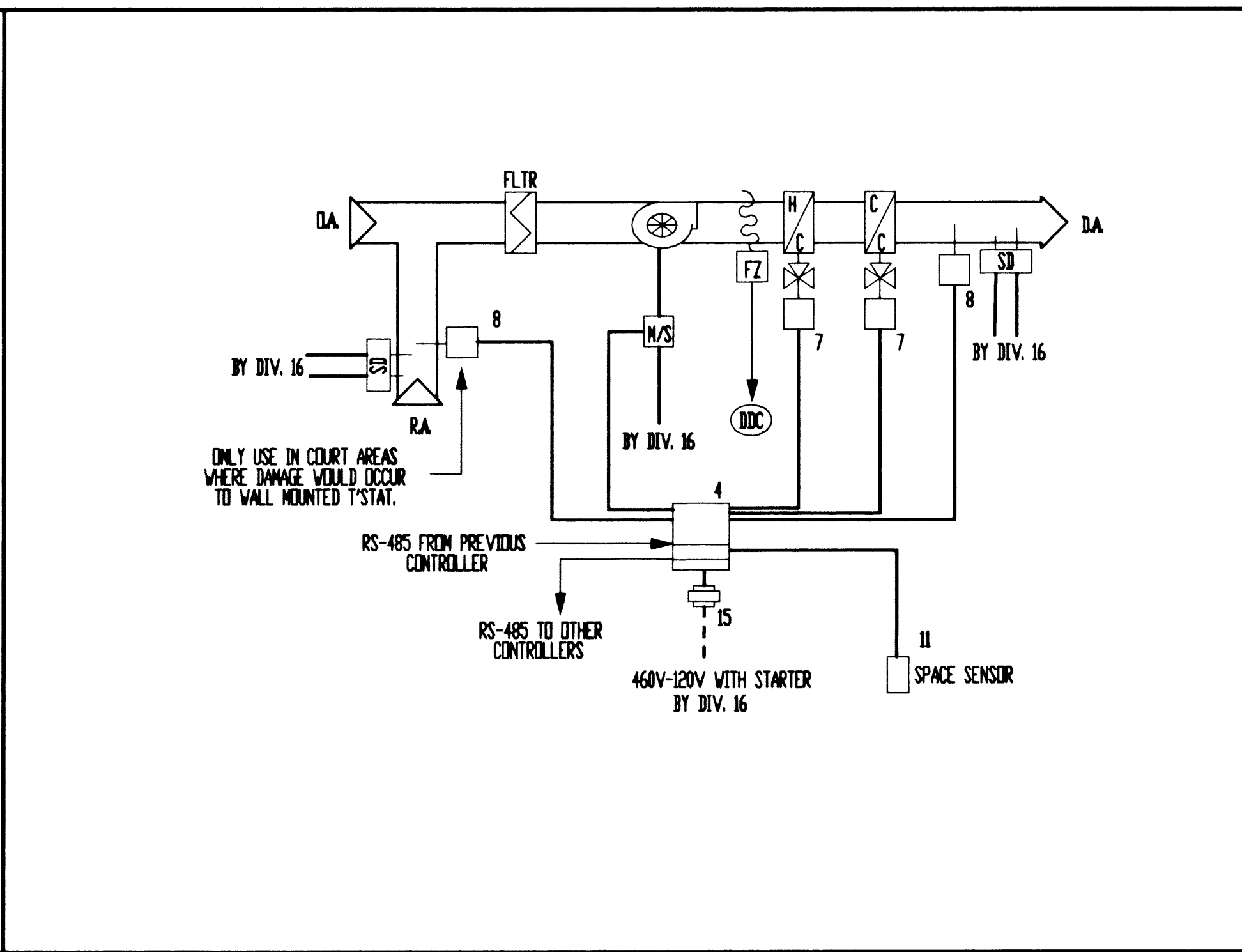


1 CENTRAL PLANT CONTROL DIAGRAM
 M5.1 NOT TO SCALE



2 AIR HANDLER CONTROL DIAGRAM
 M5.1 NOT TO SCALE



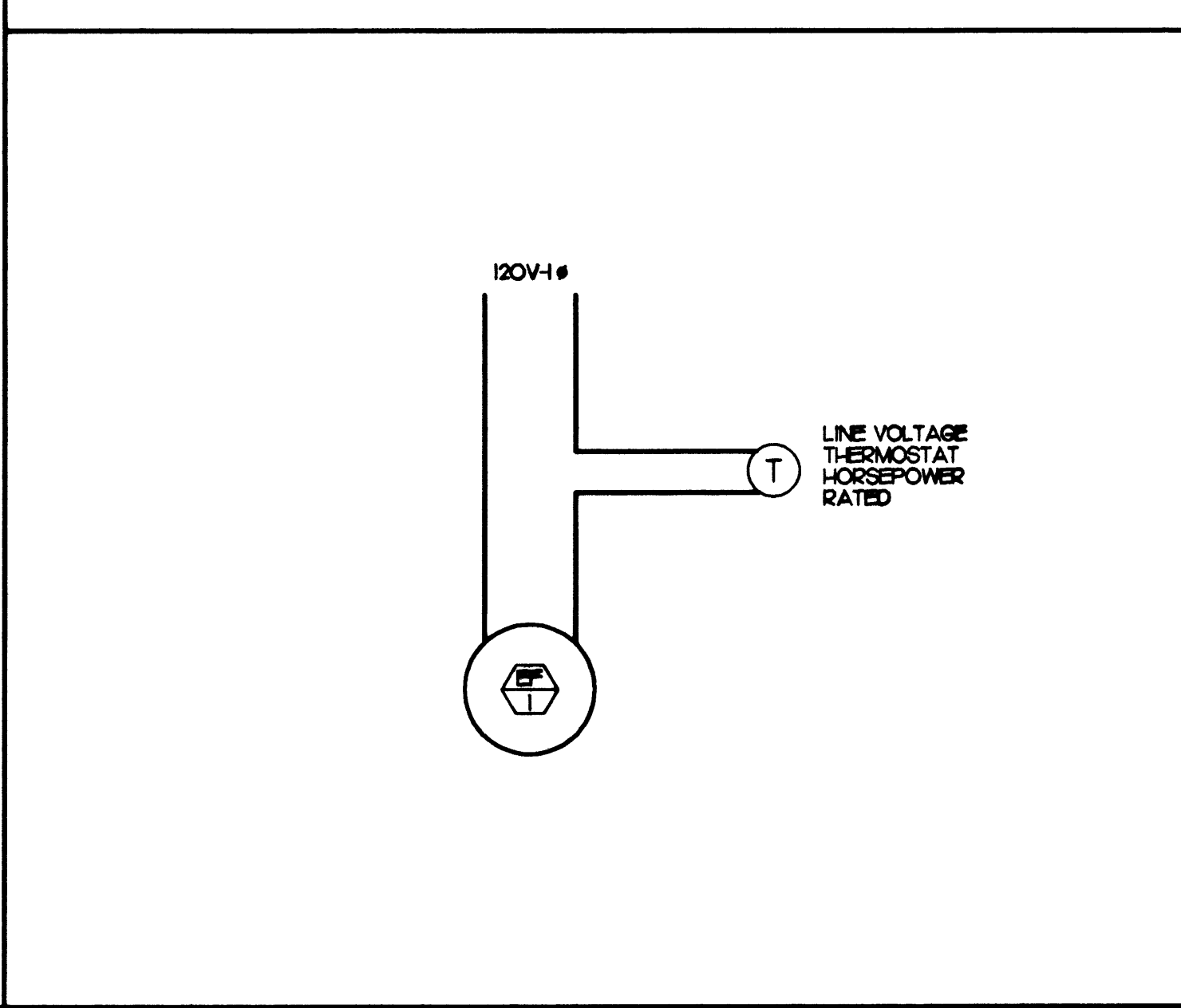
3 FAN COIL CONTROL DIAGRAM
 M5.1 NOT TO SCALE

LEGEND

- PROGRAMMABLE ROOM SENSOR
- DUCT SENSOR
- DUCT SENSOR WITH AVG. ELEMENT
- IMMERSION SENSOR WITH BULB WELL
- LOW TEMPERATURE DUCT DEVICE
- THREE WAY CONTROL VALVE
- FLOW SWITCH
- VAV/DOC CONTROLLER AND ACTUATOR
- DAMPER ACTUATOR
- CURRENT SENSOR RELAY
- DUCT SMOKE DETECTOR (DIV. 16)
- MOTOR STARTER
- DIV. 16 CONDUIT/WIRING
- DIV. 15 CONDUIT/WIRING
- = EMS POINTS

CONTROL MATERIAL LEGEND

TAG	DESCRIPTION
1	CENTRAL DIGITAL CONTROLLER LOCATED IN RM 14D
2	2400 BAUD MODEM
3	CENTRAL PLANT CONTROLLER
4	UNIT CONTROLLER
5	OUTDOOR AIR SENSOR
6	120/24VAC TRANSFORMER
7	3-WAY VALVE
8	DUCT SENSOR
9	CURRENT SENSOR
10	WATER TEMPERATURE SENSOR
11	SPACE TEMPERATURE SENSOR
12	ECONOMIZER DAMPER ACTUATORS
13	VARIABLE FREQUENCY DRIVE
14	277/240VAC TRANS
15	PORTABLE OPERATORS TERMINAL
16	PRINTER LOCATED IN RM 14D



4 EXHAUST FAN CONTROL DIAGRAM
 M5.1 NOT TO SCALE

REVISION	DESCRIPTION	DATE	REV. BY

WAYNE SCHREINER AIA
 THOMAS M. SILVA AIA

1525 WEST OAKLEY BLVD
 LAS VEGAS, NV 89102
 (702) 383-0077
 FAX 383-0087

MB
 MECHANICAL
 ENGINEERS

MECHANICAL TEMPERATURE CONTROL DIAGRAMS

CITY OF LAS VEGAS DEPARTMENT OF PARK AND LEISURE ACTIVITIES
 DURANGO RECREATION FACILITY

Verify all Dimensions and Conditions at the Site

RECORD DRAWINGS

99 OF 118
 650.59

Sheet No.	960901
Date	2-20-98
Drawn By	DGD
Check	KJK
Sheet	M5.1
of	99 of 118
	11 of 12
	650.59

DUNHAM ASSOCIATES
 CONSULTING ENGINEERS

MCHANICAL ELECTRICAL
 3004 Regal Avenue
 Las Vegas, NV 89102
 Ph. (702) 222-9657
 Fax. (702) 222-9920