

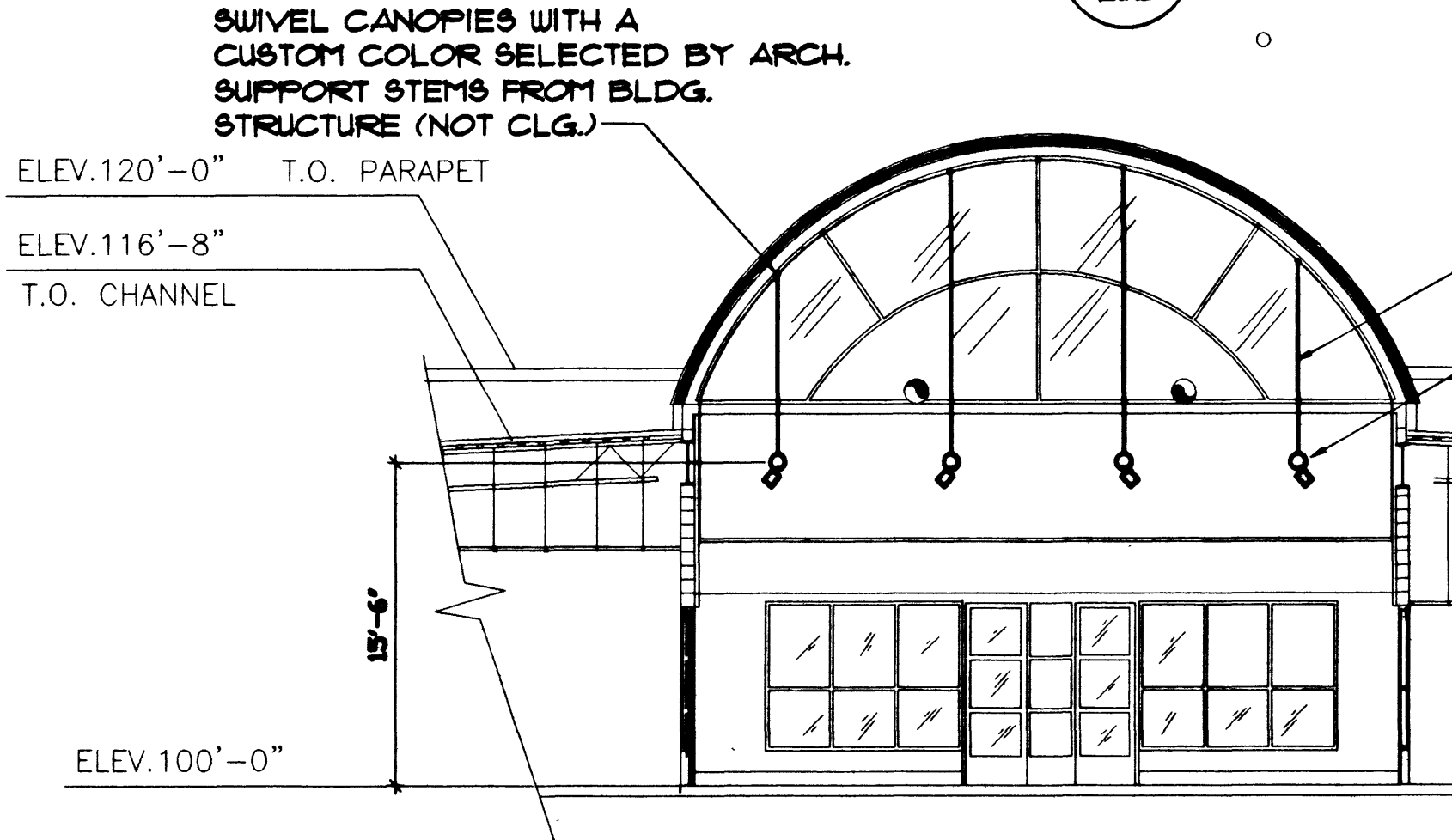
- SHEET NOTES**
1. LOW VOLTAGE PANEL, GE #RMP-2-3-5 W/8) #R82-32P PILOT LIGHT SWITCHES, SEE DETAIL 2, EB.
 2. CONNECTION TO NEON SIGN AT PARAPET. VERIFY ROUGH-IN LOCATION WITH SIGN MANUFACTURER.
 3. PROVIDE ENGRAVED COVER PLATES FOR SWITCHES CONTROLLING NEON SIGNS.
 4. PENDANT MOUNT TYPE "X" AND "Y" LIGHTS SO BOTTOM IS 10" AFF. DO NOT EXPOSE CONDUIT INSIDE. INSTALL CONDUIT ON TOP OF ROOF IN RIDGES. USE TWO PENDANTS PER FIXTURE W/SUIVEL HANGERS.
 5. RELAY CABINET "R2", G.E. RB3EZ-RB3-C0EZ W/ (12RRR8 EZ RELAYS) (R13-R24).

REVISION	DESCRIPTION	DATE	REV. BY

1525 WEST OAKLEY BLVD
LAS VEGAS, NV 89102
(702) 381-0077
FAX 381-0087

WAYNE SCHREINER AIA
THOMAS M. SILVA AIA

A LIGHTING FLOOR PLAN - AREA A
E22 SCALE: 1/8" = 1'-0"

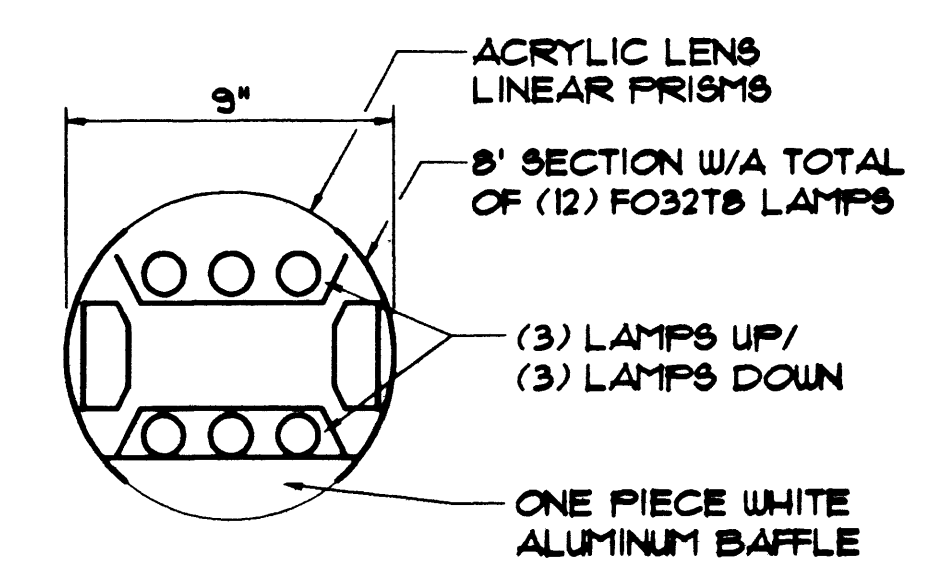


RIGID STEEL STEMS, 8'-0" O.C. W/CUSTOM COLOR SELECTED BY ARCH. WIRING DONE THRU STEMS.

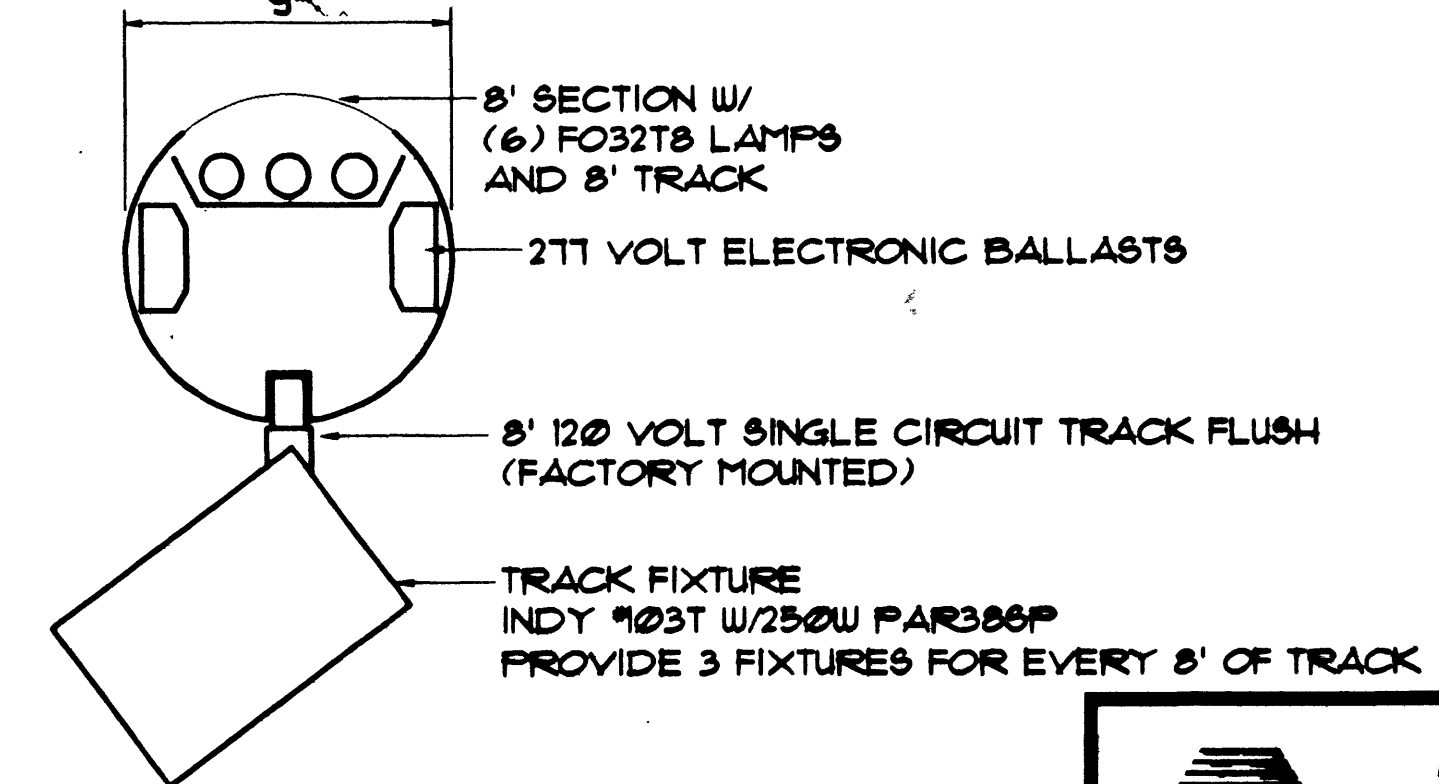
8" ROUND EXTRUDED ALUMINUM LIGHT FIXTURE TYPE "U" 8' LONG W/ (6) LAMPS UPLIGHT AND (6) LAMPS DOWNLIGHT TYPE "U1" 8' LONG W/ (6) LAMPS UPLIGHT AND SINGLE CIRCUIT, 8' TRACK ON THE BOTTOM TYPE "U2" SAME AS "U" EXCEPT W/ EM. BATT PACK

- NOTE: 1. ALL COMPONENTS TO HAVE CUSTOM COLOR SELECTED BY ARCH.
2. FIXTURES TO BE PEERLESS SERIES LPS, OR APPROVED EQUAL.

B BUILDING SECTION FOR LOBBY LIGHTING
E22 SCALE: 1/8" = 1'-0"



TYPE "U" & "U1"
"U" FIXTURE HAS (2) EM. BATTERY BALLASTS FOR (2) LAMPS 1120 LUMEN OUTPUT



TYPE "U2"
120 VOLT FED THRU ONE STEM FOR TRACK. 211 VOLT FED THRU SECOND STEM FOR FLUOR. LIGHTS

110 OF 118
650.59

Sheet Title	Lighting Floor Plan - AREA A
Job Title	CITY OF LAS VEGAS DEPARTMENT OF PARK AND LEISURE ACTIVITIES DURANGO RECREATION FACILITY
Job	960901
Date	2-20-98
Drawn By	MDV
Check	RGK
Sheet	E2.2
Of	10
4 OF 11	

DUNHAM MECHANICAL ELECTRICAL CONSULTING ENGINEERS
3024 Regal Avenue
Las Vegas, NV 89102
PH (702) 222-9297
FAX (702) 222-9298

27122