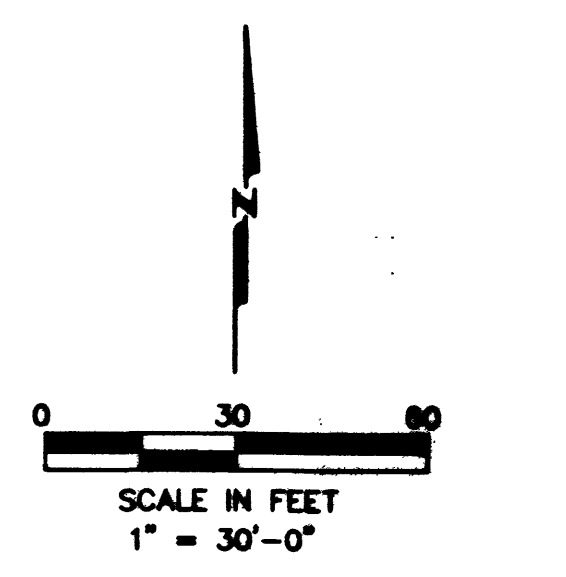


No.	DESCRIPTION
301	PROVIDE 18" CONCRETE PIPE AND FITTINGS. D=2000 BACKFILL PER CCSD STD. DTL. SD-16 IN UNPAVED AREAS AND SD-16A IN PAVED AREAS.
302	PROVIDE 18" CONCRETE PIPE AND FITTINGS. D=2000 BACKFILL PER CCSD STD. DTL. SD-16 IN UNPAVED AREAS AND SD-16A IN PAVED AREAS.
303	PROVIDE 12" PVC PIPE AND FITTINGS. BACKFILL PER CCSD STD. DTL. SD-16 IN UNPAVED AREAS AND SD-16A IN PAVED AREAS.
304	PROVIDE 10" PVC PIPE AND FITTINGS. BACKFILL PER CCSD STD. DTL. SD-16 IN UNPAVED AREAS AND SD-16A IN PAVED AREAS.
305	PROVIDE 8" PVC PIPE AND FITTINGS. BACKFILL PER CCSD STD. DTL. SD-16 IN UNPAVED AREAS AND SD-16A IN PAVED AREAS.
306	PROVIDE 6" PVC PIPE AND FITTINGS. BACKFILL PER CCSD STD. DTL. SD-16 IN UNPAVED AREAS AND SD-16A IN PAVED AREAS.
307	PROVIDE PRECAST MANHOLE PER CCSD STD. DTL. 404-TYPE 1A MANHOLE. PROVIDE RING AND COVER PER CCSD STD. DTL. 409.
308	PROVIDE DROP INLET TYPE "A" PER CCSD STD. DTL. 411.

RECORDED
DRAWING
13 of 118
650.59
JOSEPH H. MILAZZO
7-7-98
CIVIL
EXPIRES 12/31/00
NO. 13953



This drawing is the property of HARDING LAWSON ASSOCIATES, including all patented and patentable features, and/or confidential information and its use is conditioned upon the user's agreement not to reproduce the drawing, in whole or part, nor the material described thereon, nor the use of the drawing for any purpose other than specifically permitted in writing by HARDING LAWSON ASSOCIATES.

NO.	DATE	REVISIONS	BY	CHK	DATE
1	17-2-98	ADDENDUM 2	JHM		

DRAWN: JHM	PROJECT NO: 41712	FILE NAME: CDPOOL.DWG
ENGINEER: JHM	SCALE: 1"=30'	
CHECKED: GAH	APPROVED: JHM	
DATE: 10-30-97	DATE: 2-17-98	

Harding Lawson Associates
Engineering and Environmental Services
5145 S. Arville St. Ste. A
Las Vegas, Nevada
(702) 251-5449

NORTHWEST FAMILY RECREATION CENTER
CITY OF LAS VEGAS
400 E. STEWART AVENUE
LAS VEGAS, NEVADA

ROOF AND POOL DECK DRAINAGE SYSTEM

DRAWING: C12
SHEET: 13 of 17
REVISION NUMBER:
DATE:

27025