

City of Las Vegas, Nevada
 Department of
 Community Planning and Development
 Don J. Saylor, A.I.P., Director

ETHEL PEARSON & JAMES A. GAY, III
 MINI-PARK RESTROOMS
 Design By: B.G. Date: 10-4-78
 Drawn By: J. JACOMIS Date: 5-16-79
 Scale: 1/4" = 1'-0" U.N.O.

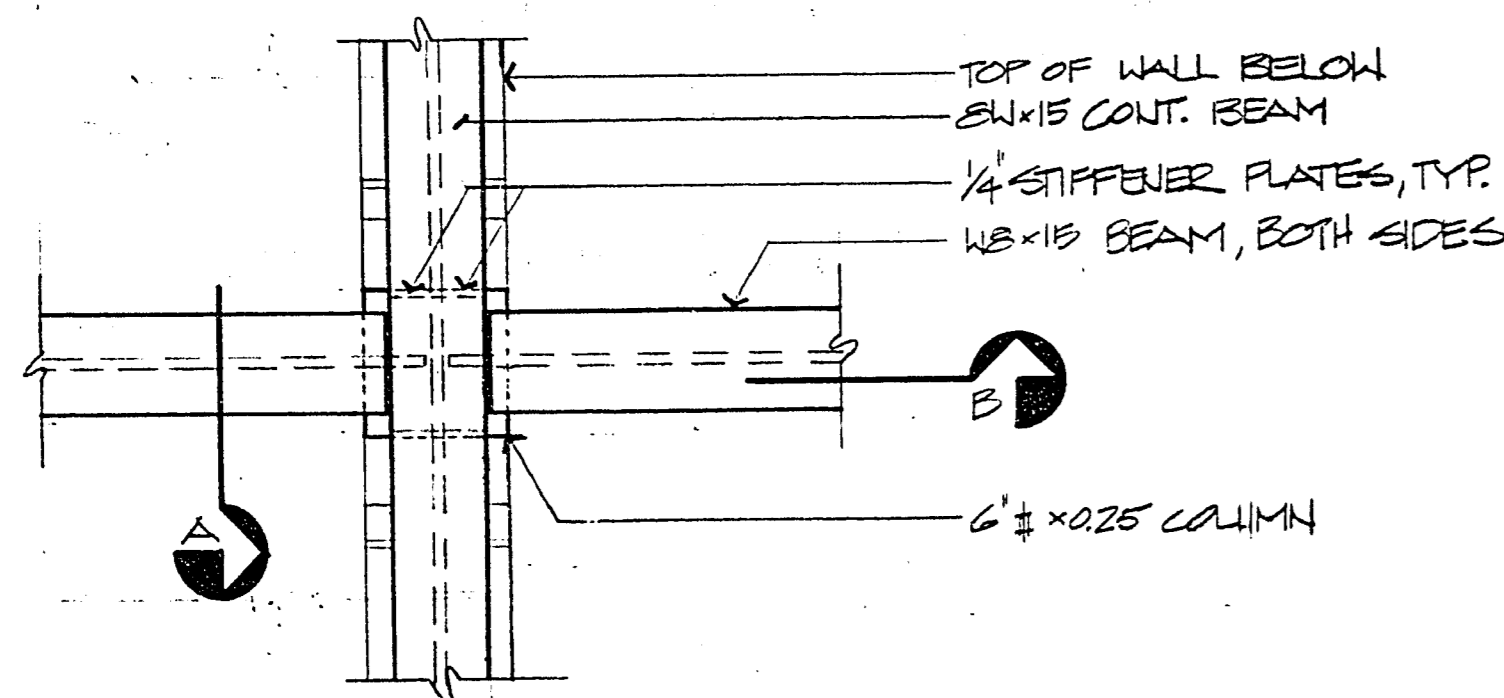
Sheet 5
 of 5
 65026-5
 6704

ELECTRICAL NOTES

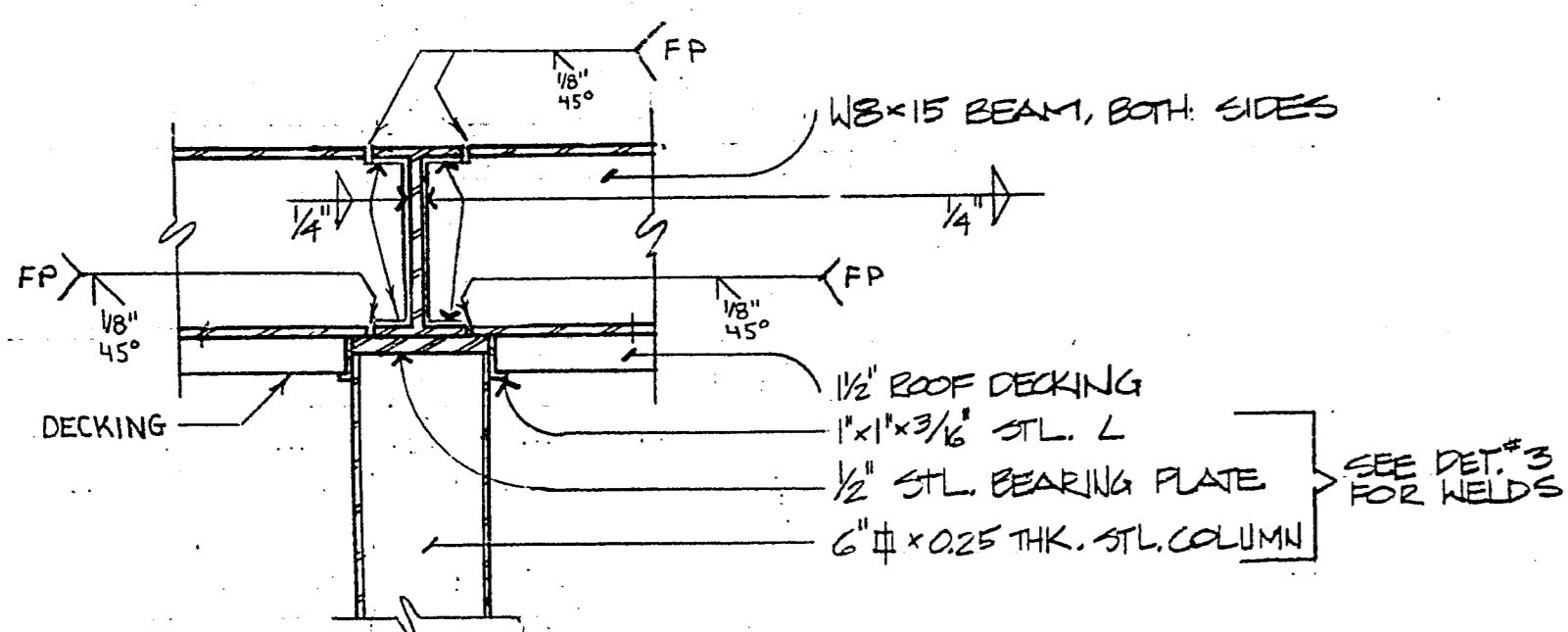
1. ALL WIRING TO BE CU IN METALLIC CONDUIT INSIDE BUILDING.

PLUMBING NOTES

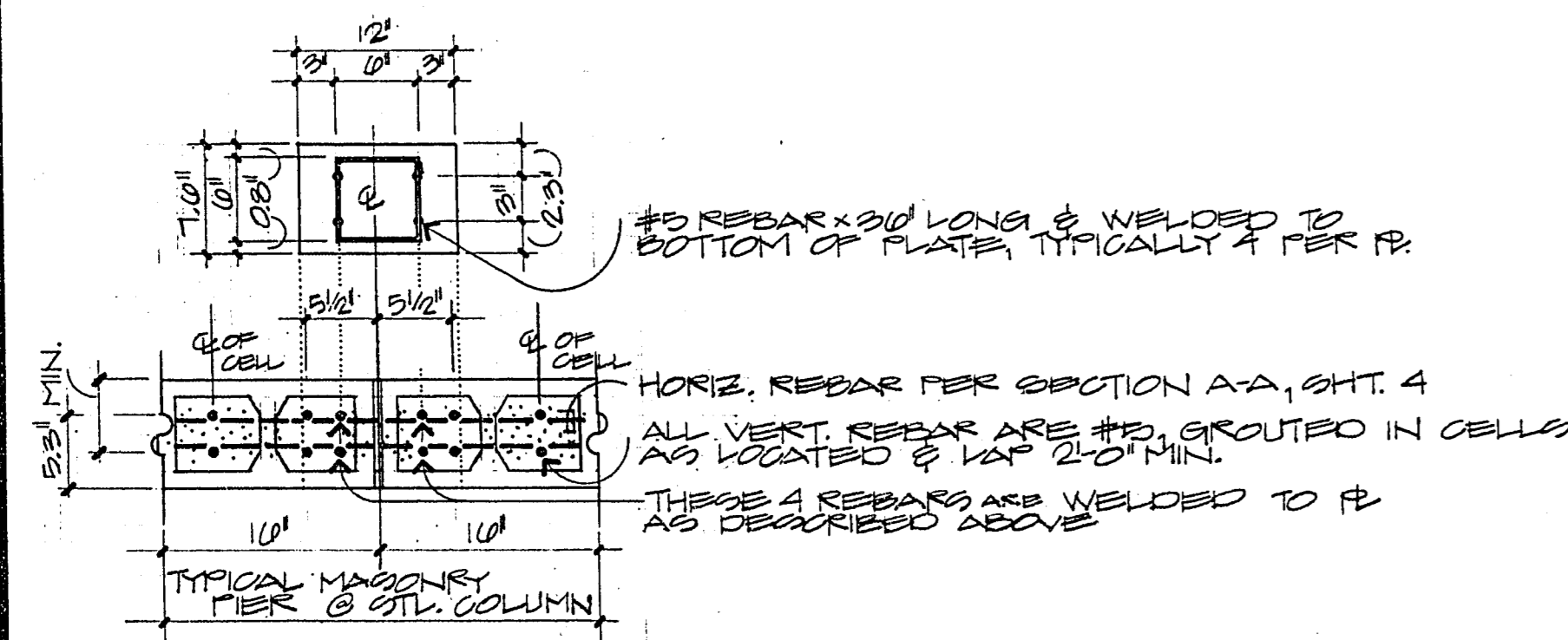
1. ALL WATER & WASTE IN CHASE SHALL BE WALL MOUNTED.
2. WATER VALVES FOR W.C. & UR SHALL BE INSTALLED IN CHASE.
3. WATER LINES & BLOS. SHALL BE CU - 1" BELOW GRADE & CU - 1" ABOVE GRADE.
4. F.V.C. LINE FROM MAIN TO BLDG. SHALL BE SCH. 40.
5. ALL COLD WATER PIPING SHALL BE INSULATED W/ PREFORMED BRASSON TYPE FIBERGLASS W/ VAPOR BARRIER JACKET, JOINTS - MANVILLE "FLAME SAFE" TYPE AP, 1/2" THICK.



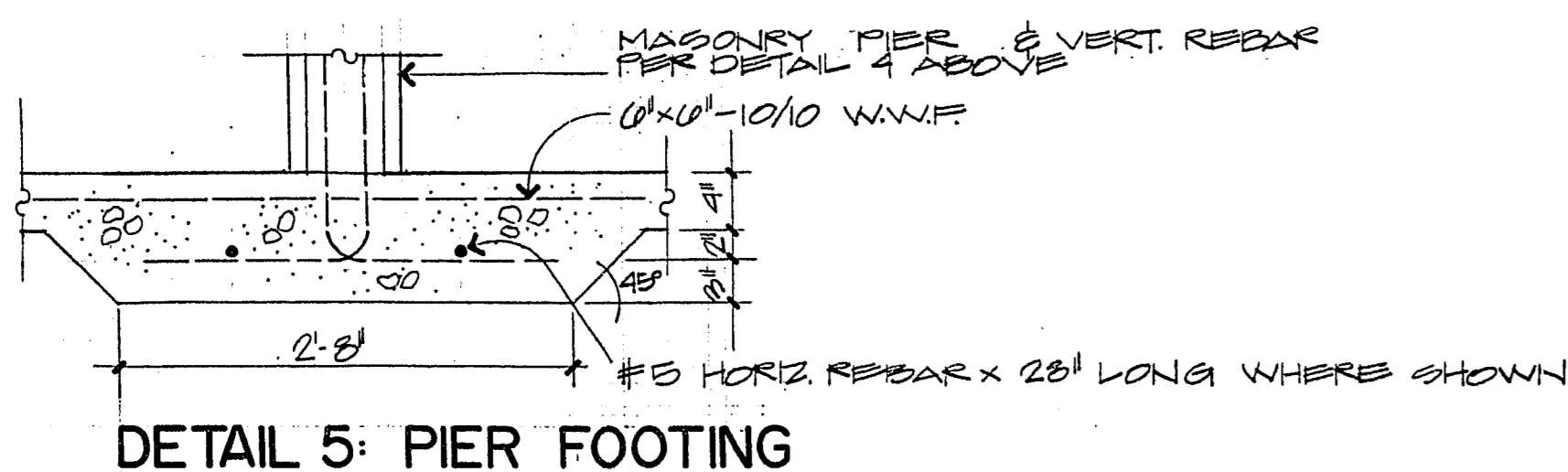
DETAIL 1: BEAM INTERSECTION, PLAN



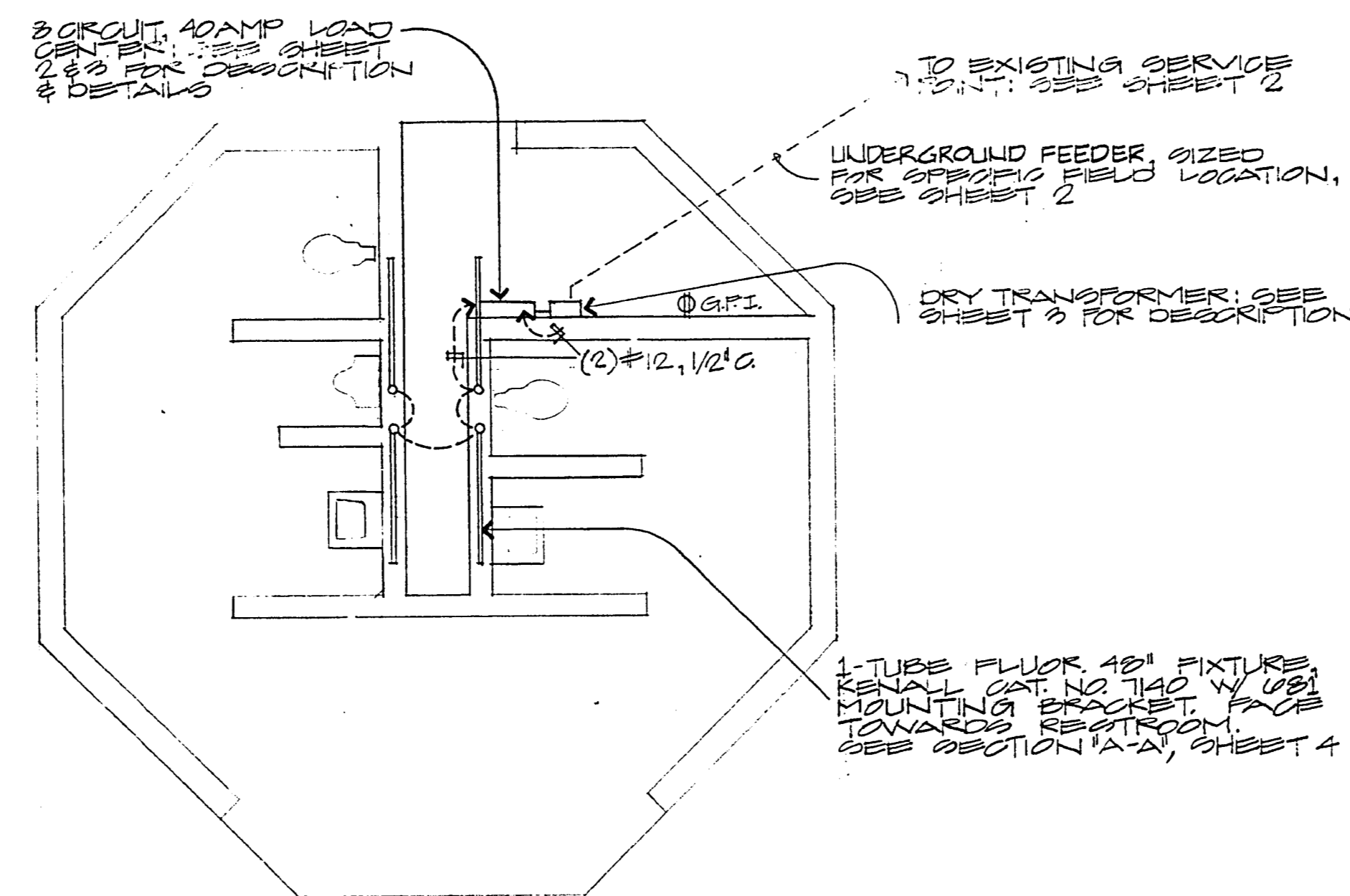
DETAIL 2: SECTION "B" OF ABOVE DETAIL 1



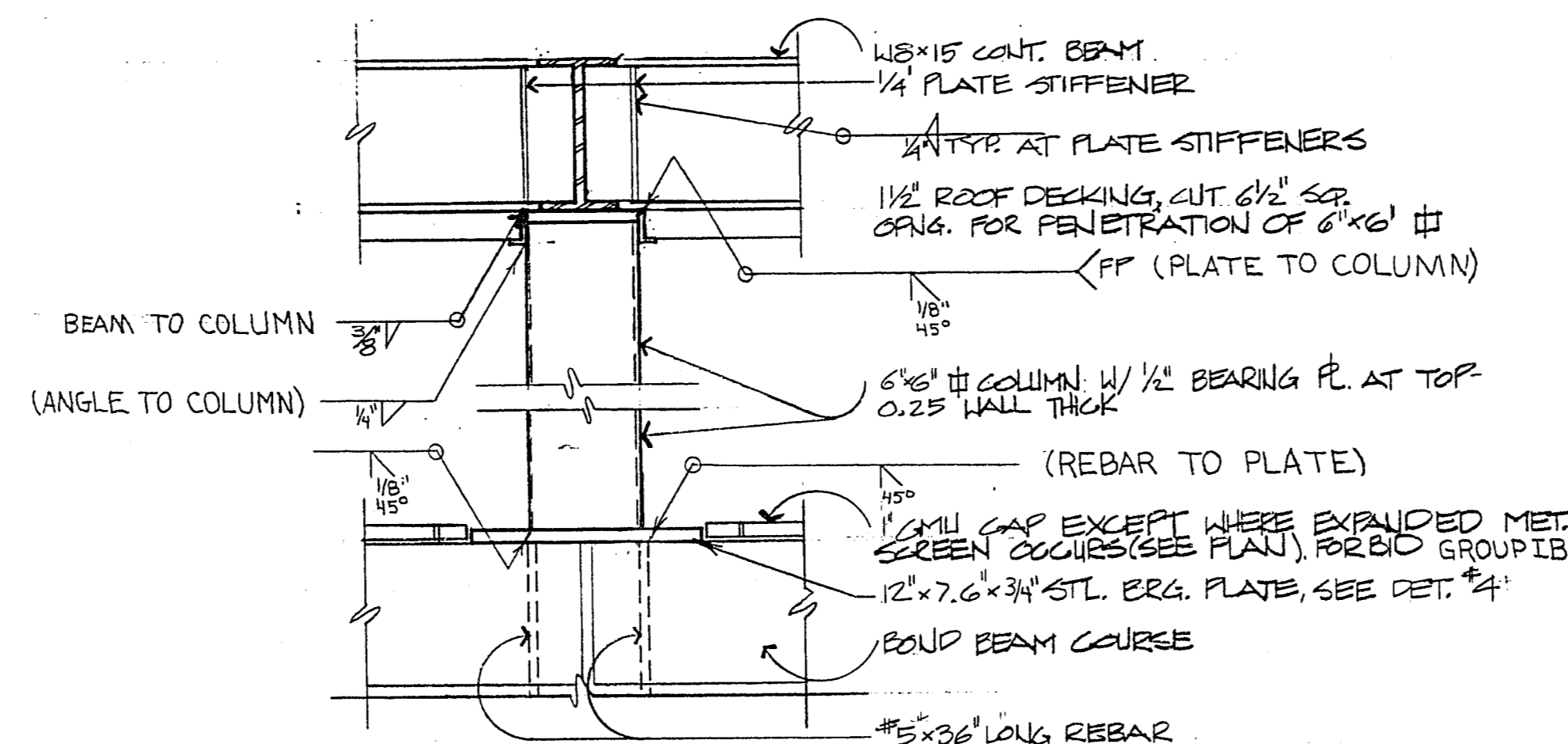
DETAIL 4: BEARING PLATE AT MASONRY PIER



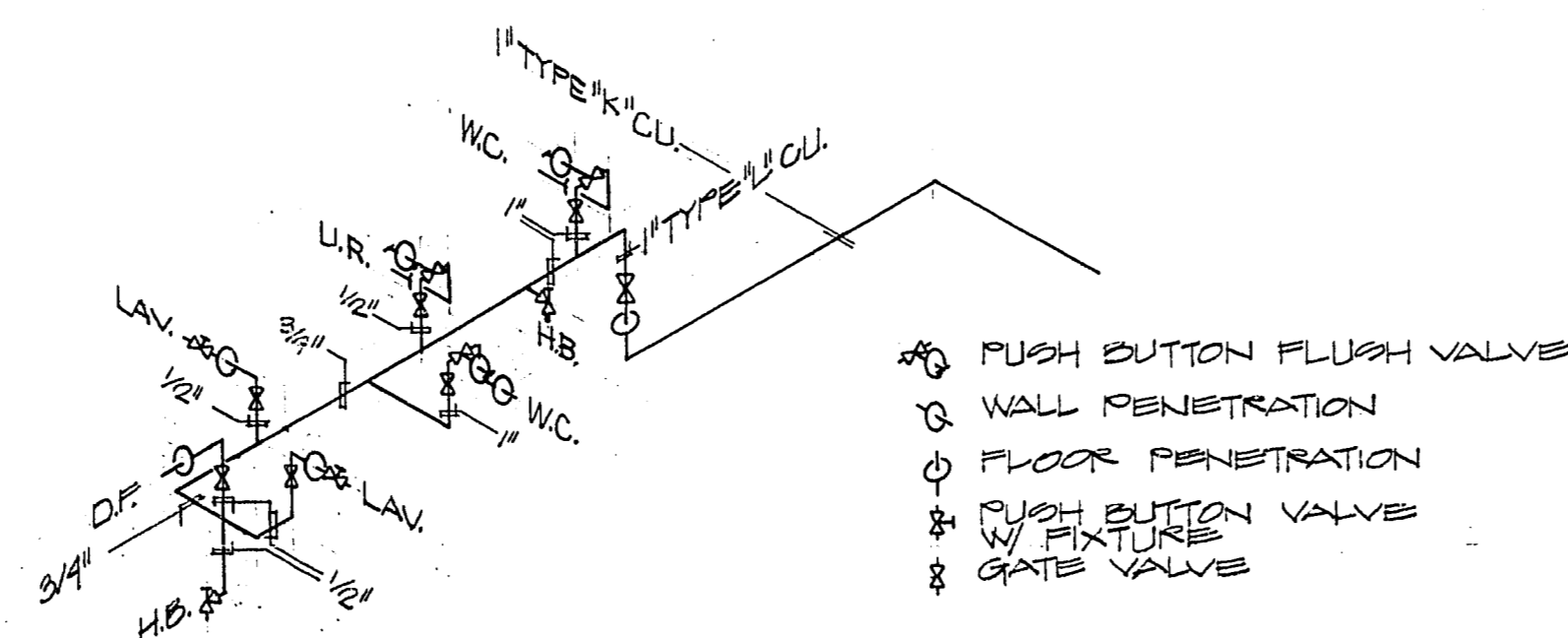
DETAIL 5: PIER FOOTING



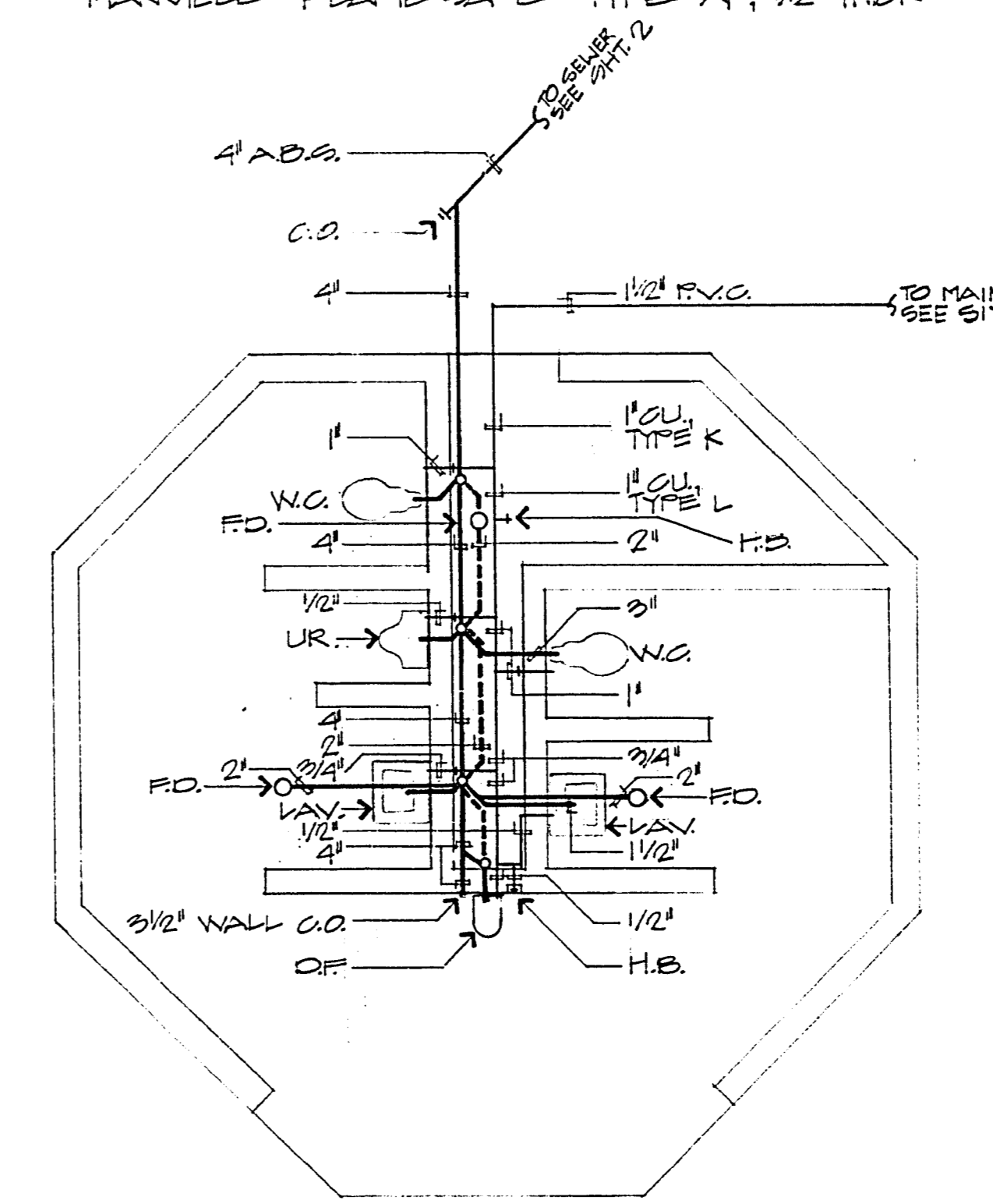
ELECTRICAL PLAN



DETAIL 3: SECTION "A" OF DETAIL 1

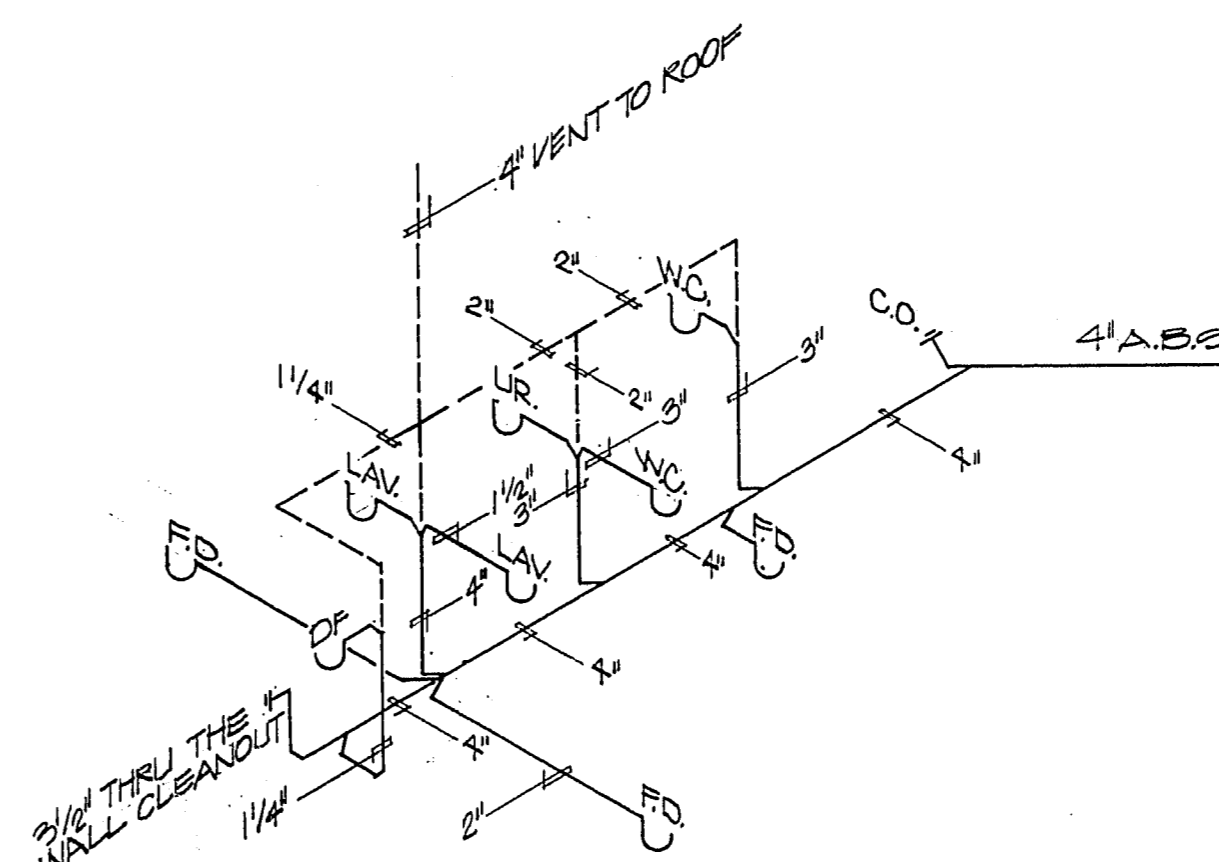


WATER PIPING ISOMETRIC



PLUMBING PLAN

- D.F. HANDICAPPED DRINKING FOUNTAIN: WESTERN D.F. MODEL 205-WC W/ VANDAL RESISTANT EGT. FB; WHITE COLOR; PROVIDE 2'-0\"/>



DRAIN & VENT ISOMETRIC

