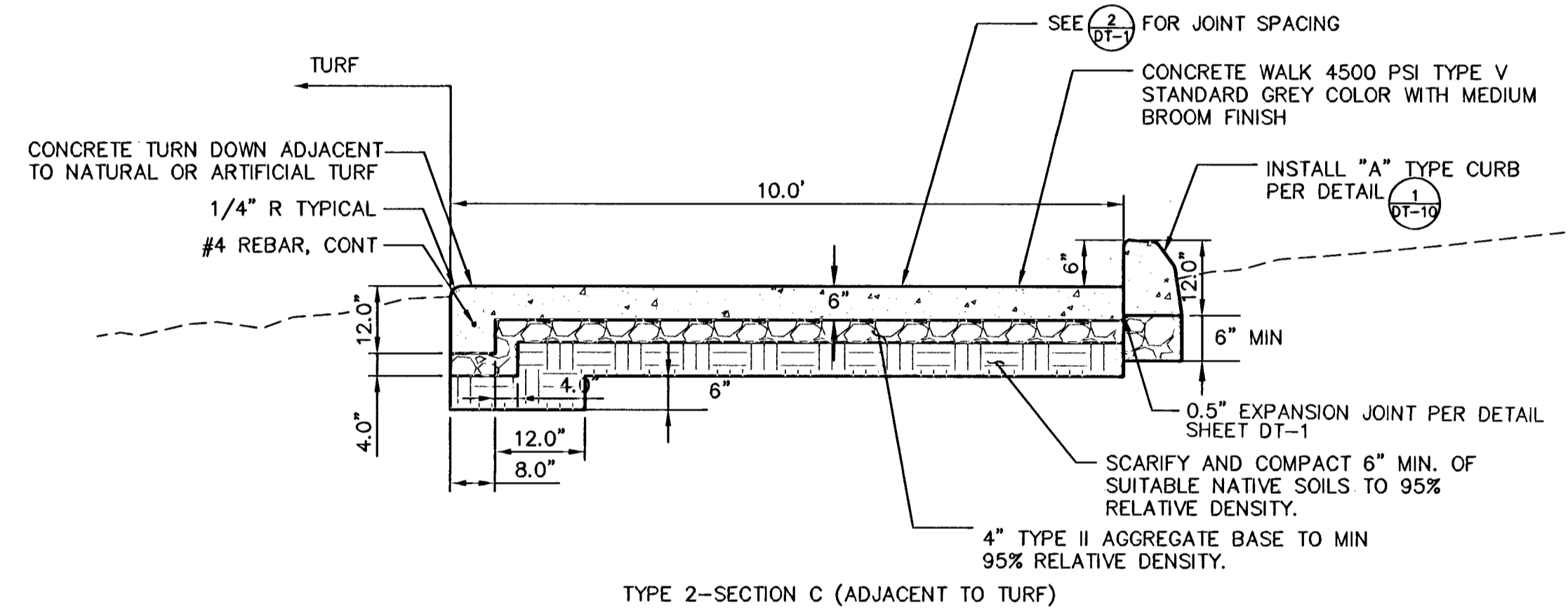
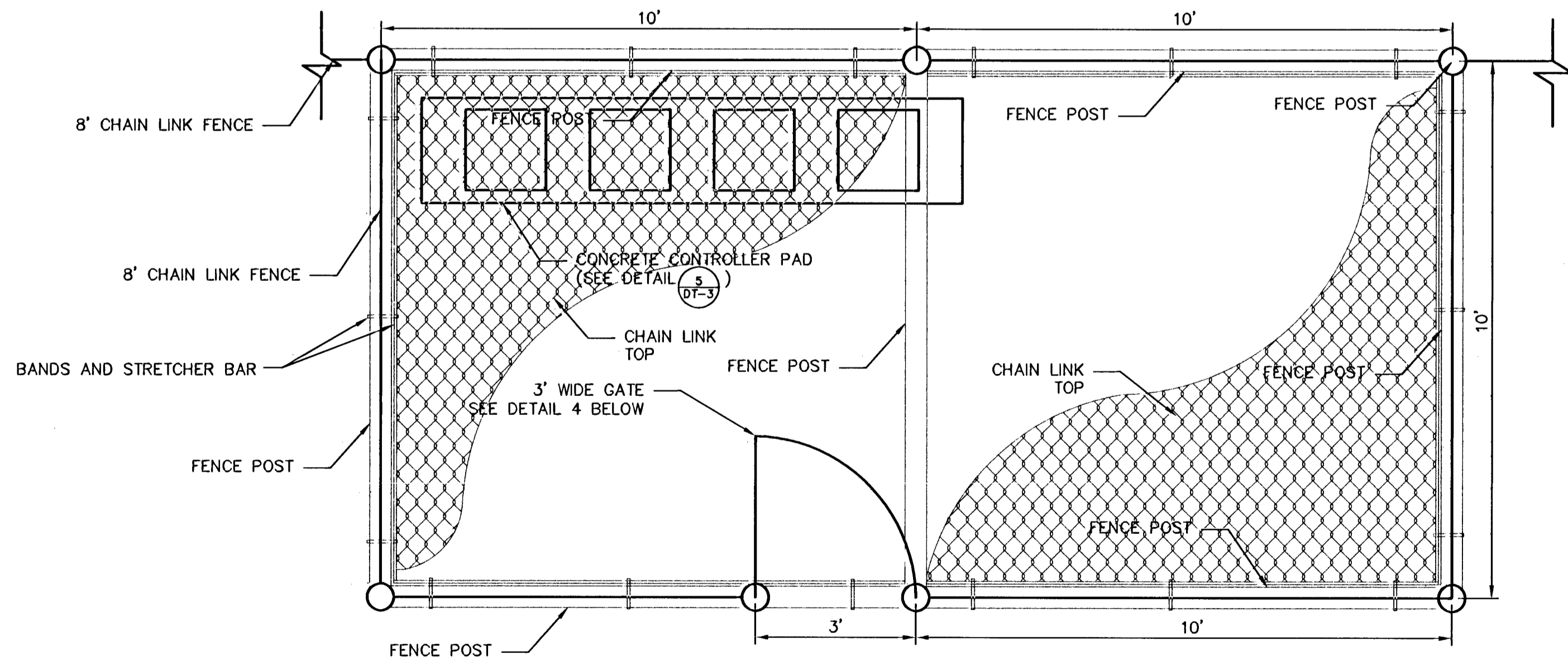


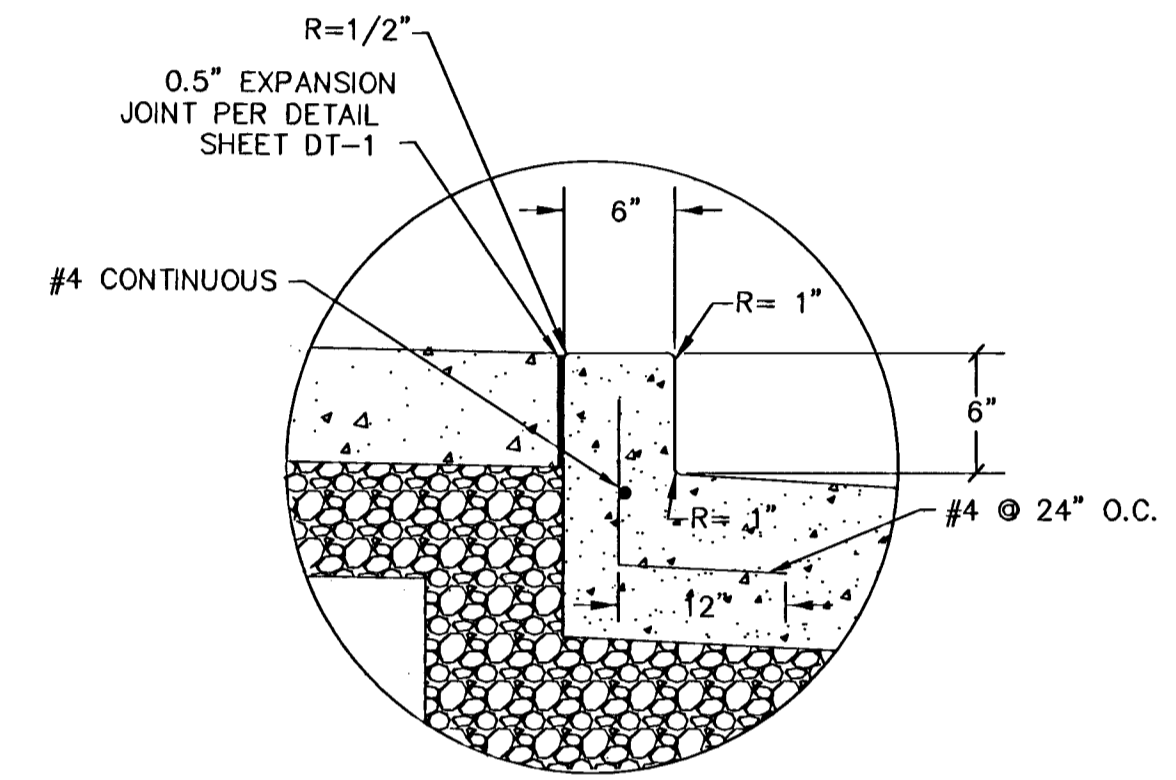
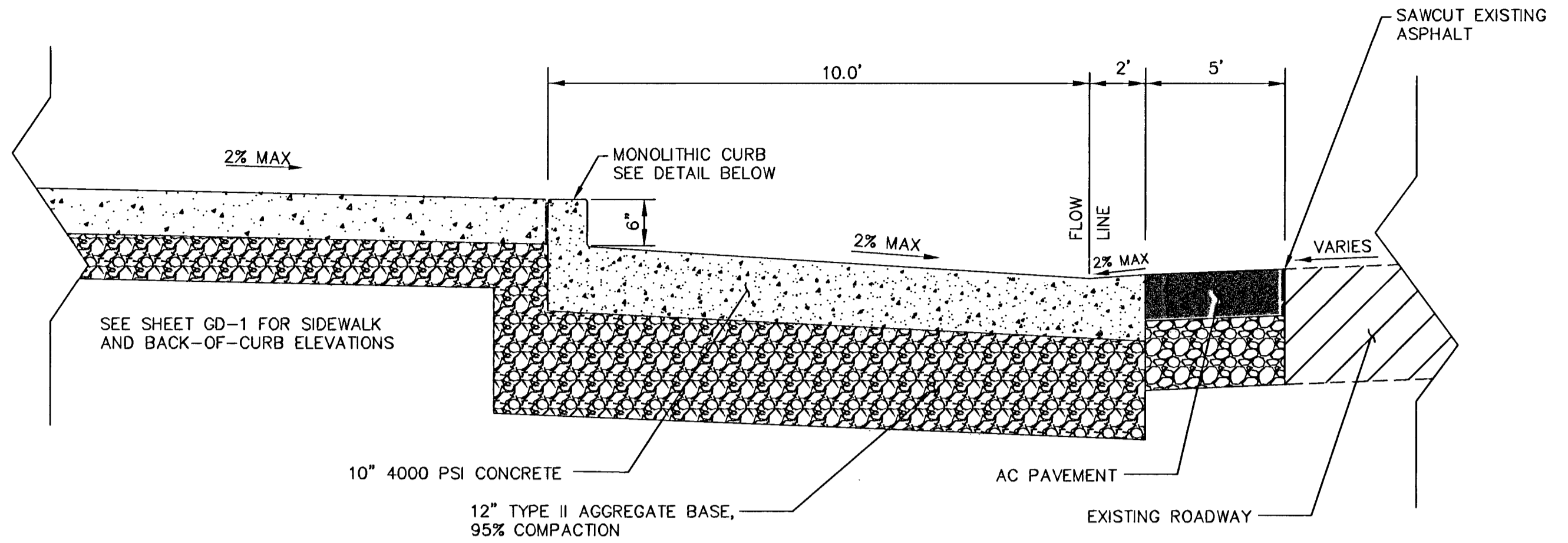
1 FENCE POST CONCRETE FOOTING
DT-3 DETAIL N.T.S.



2 ACCESSIBLE PCC PATHWAY
DT-3 DETAIL N.T.S.

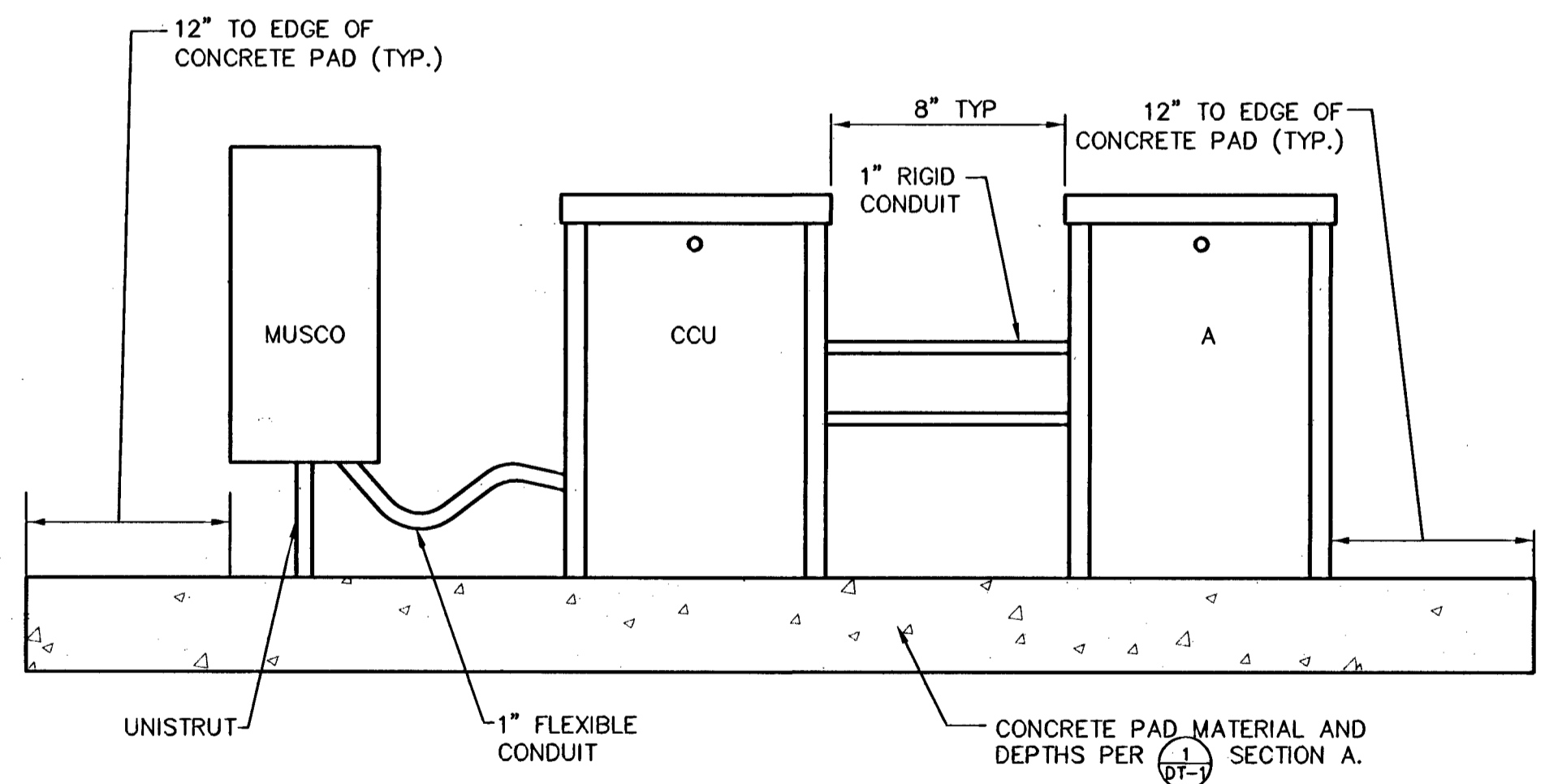


4 CONTROLLER ENCLOSURE PLAN VIEW
DT-3 DETAIL N.T.S.



MONOLITHIC CURB
DT-3 DETAIL N.T.S.

3 CONCRETE BUS TURNOUT / DECEL LANE
DT-3 DETAIL N.T.S.



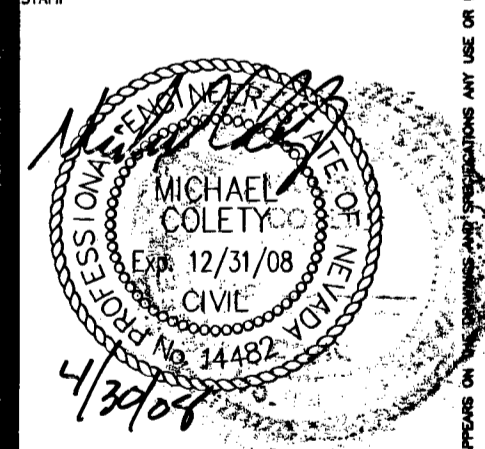
NOTE: CONTRACTOR TO COORDINATE INSTALLATION OF PHONE LINES FOR MUSCO CONTROLLER AND IRRIGATION EQUIPMENT FOR CCU AND CONTROLLER

5 CONCRETE CONTROLLER PAD
DT-3 DETAIL N.T.S.



REVISIONS
CONSULTANT
Kinley-Horn and Associates, Inc.
2000 E. Flamingo Road, Suite 210, Las Vegas, NV 89119
Ph. (702) 734-6666

DURANGO/RILEY PARK PHASE I
NE CORNER OF EL CAPITAN AND BRIGHT ANGEL
SIDEWALK, FENCE, CONTROLLER PAD
ENCLOSURE, AND BUS TURN-OUT DETAILS



OWNER: CITY OF LAS VEGAS
DEPARTMENT OF PUBLIC WORKS
ARCHITECTURAL SERVICES

400 EAST STEWART AVENUE
LAS VEGAS, NEVADA 89101
PHONE: (702) 229-6333
FAX: (702) 384-4846
TDD: (702) 386-9108

DRAWN	JCL/MG
FILE	
DATE	APRIL 2008
SCALE	NONE
SHEET NO.	01.15341.16
CIVILING NO.	650.100
	H# 26759
SHEET NO.	DT-3



SAFETY ALERT
Call Before You Overhead
1-800-227-2600
CLARK COUNTY TRAFFIC OPERATIONS
1-702-455-7544



Apr 20, 2008 - 7:47 AM - USER: mcsweeney\nkx\mcsweeney\0822258\015 DurangoRiley Park\CADD\25601501.dwg

111496