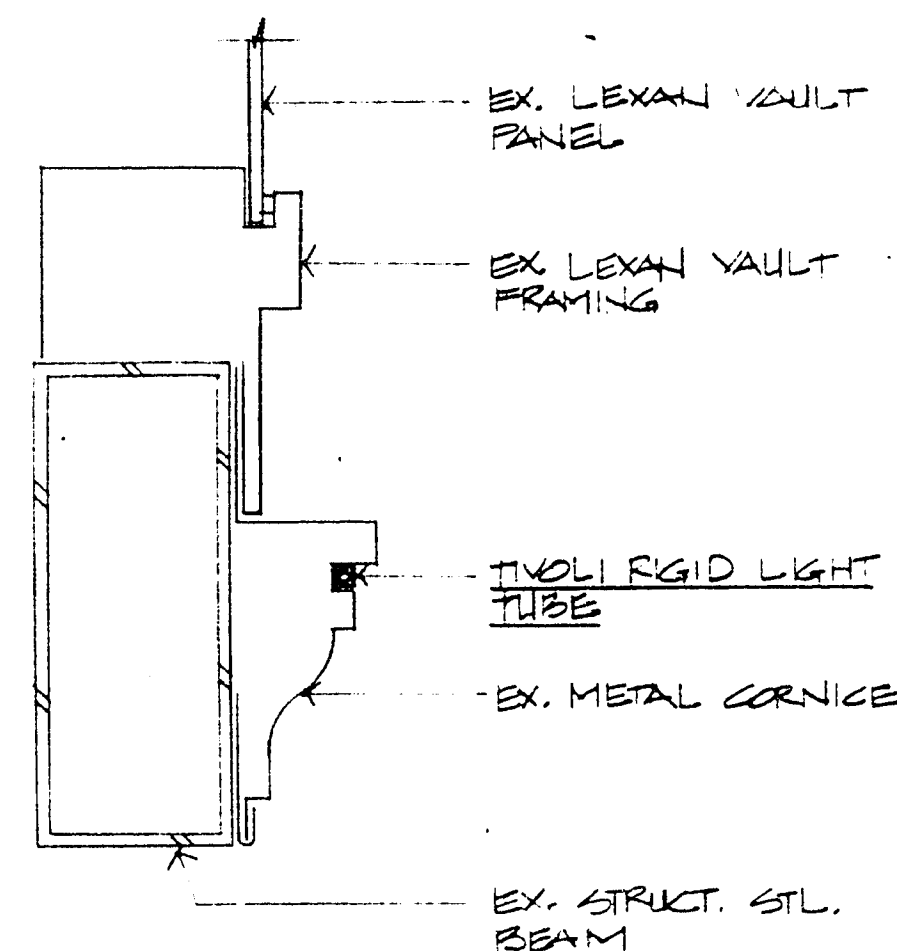
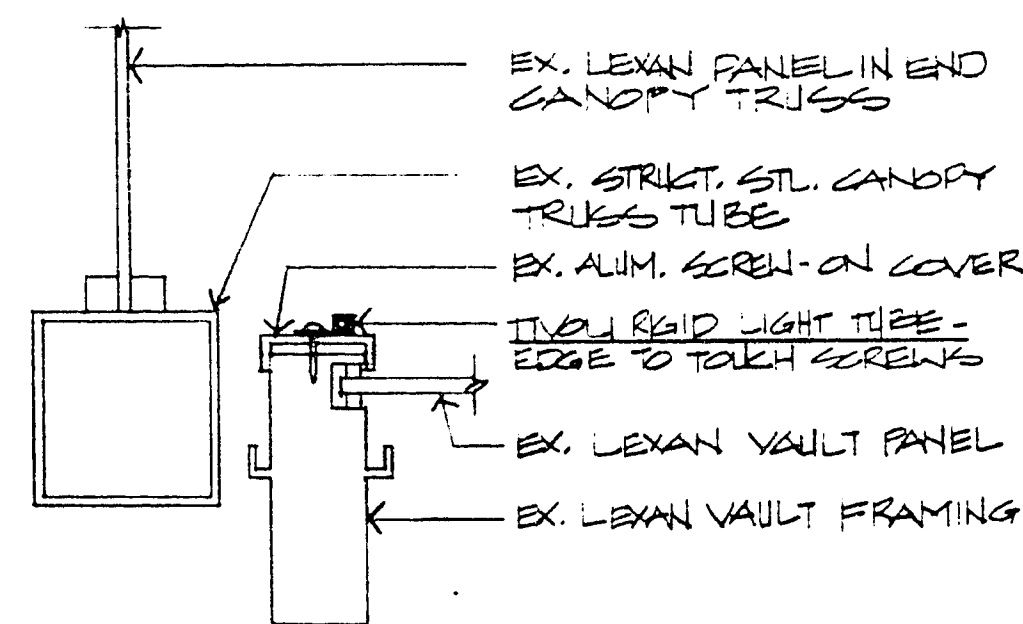


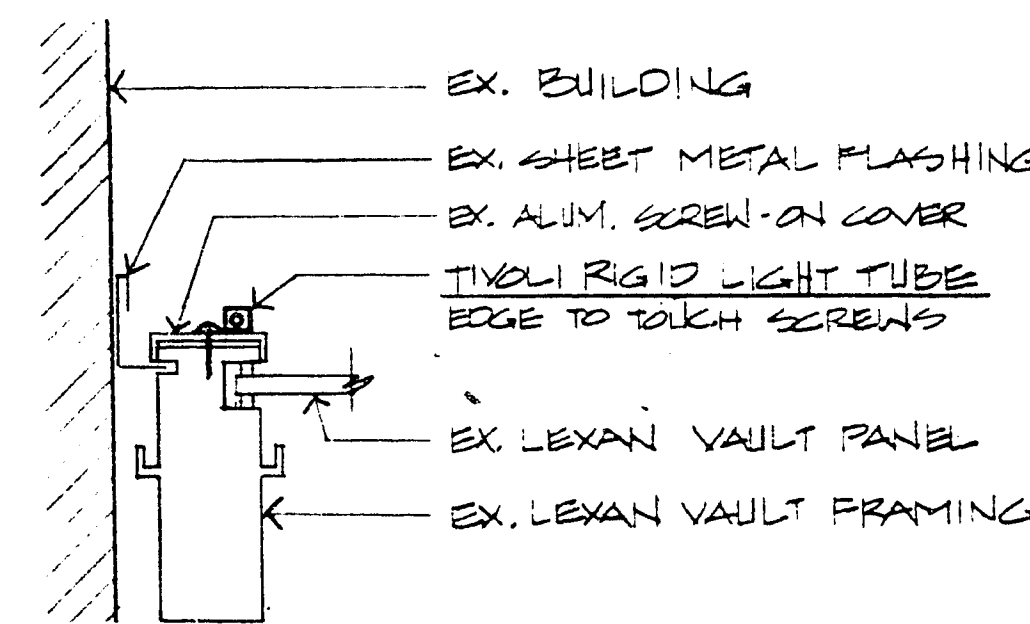
CANOPY CORNICE ①



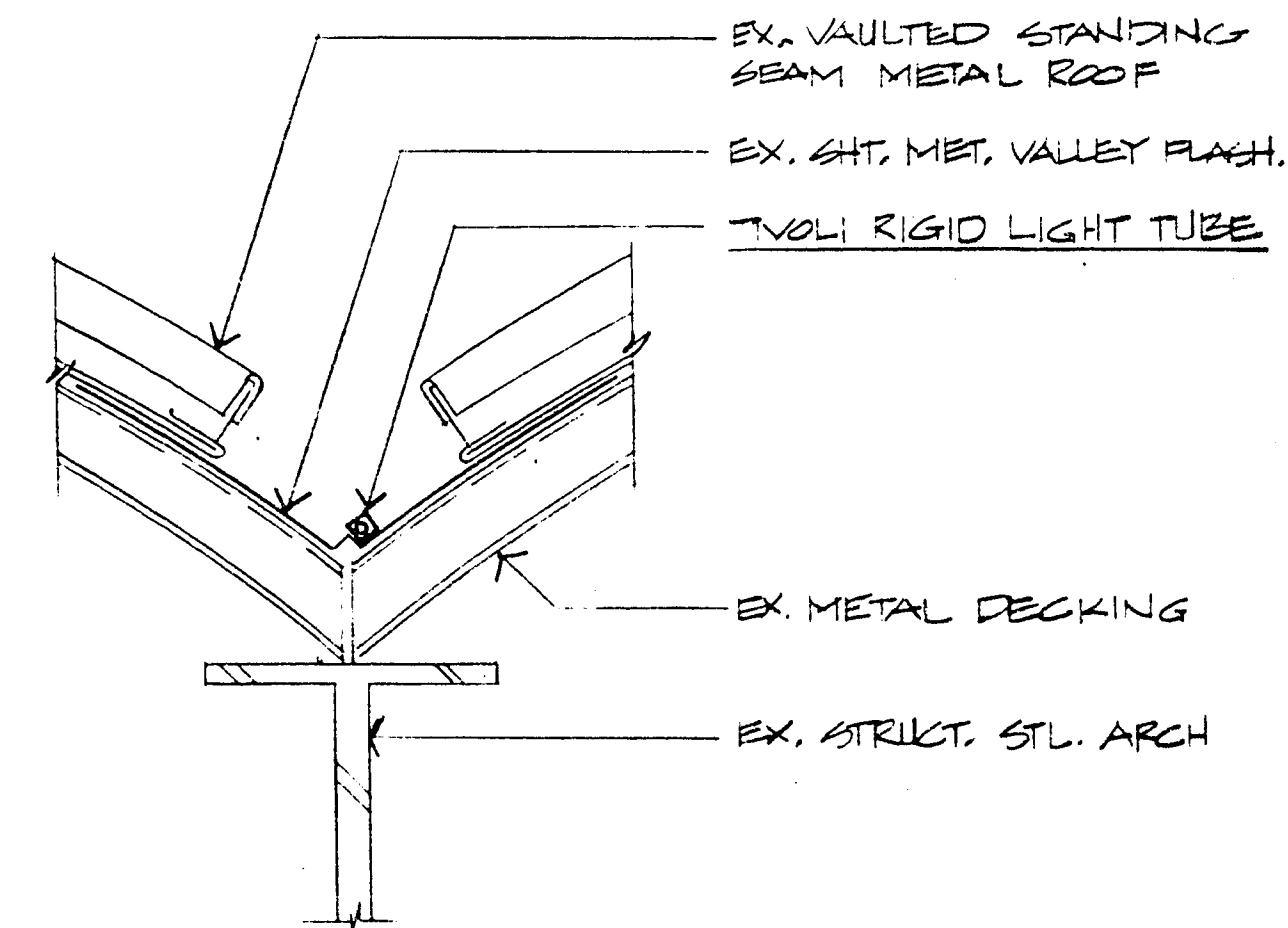
LEXAN VAULT CORNICE ②



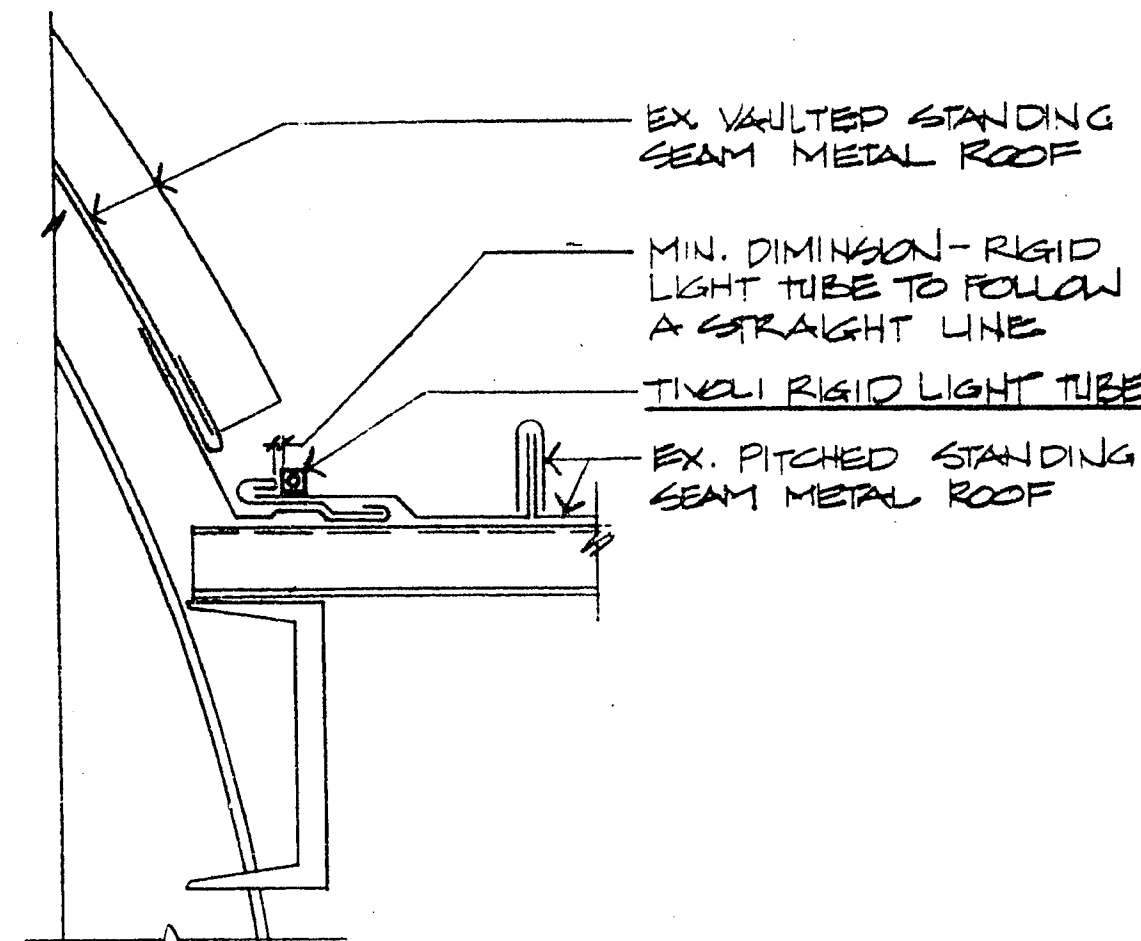
LEXAN VAULT END AT CANOPY ③



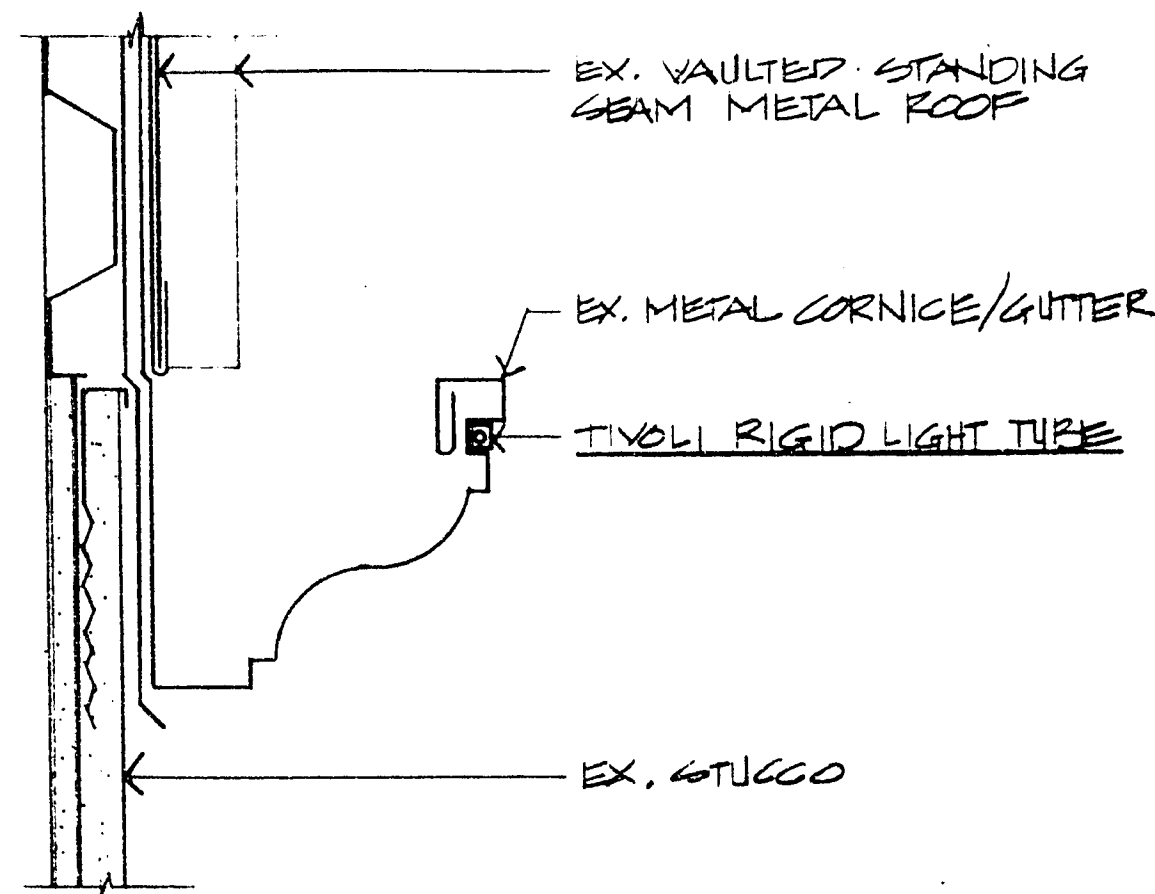
LEXAN VAULT END AT BUILDING ④



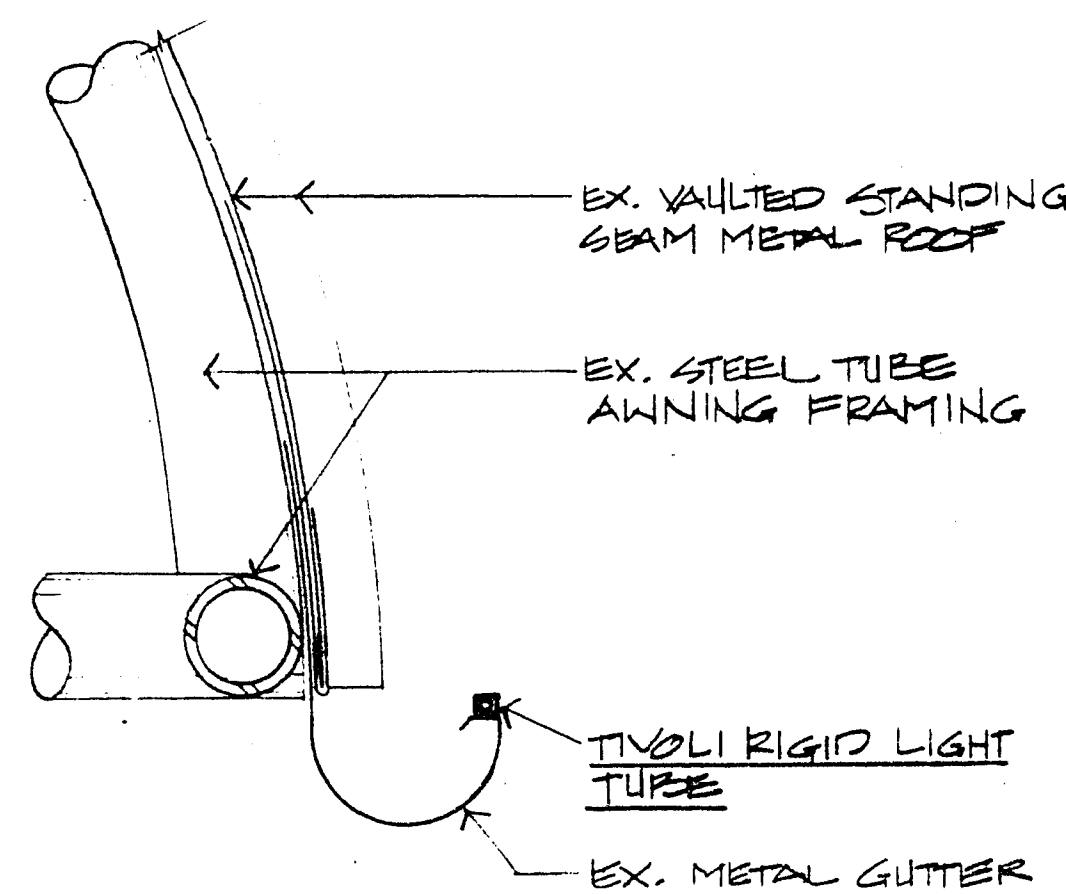
INTERSECTION OF VAULTED ROOFS OVER SOUTH LOBBY ⑤



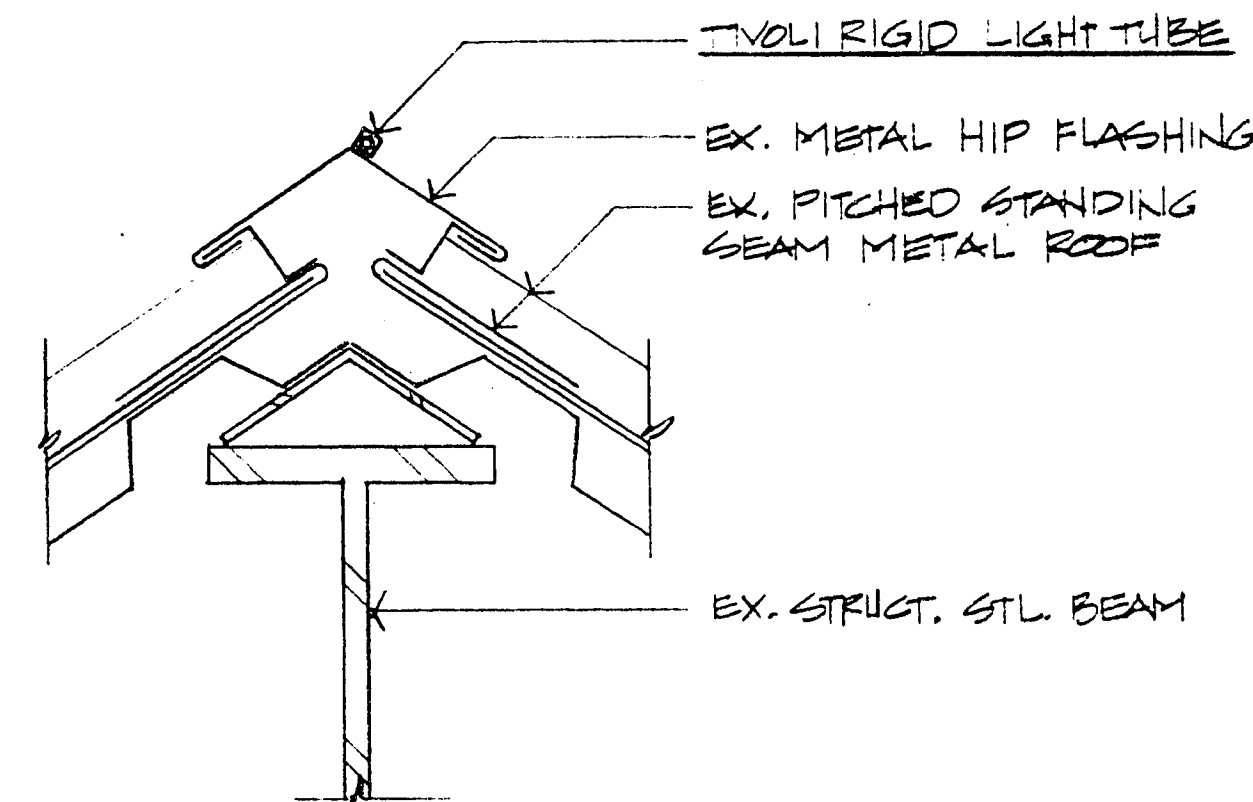
ROOF INTERSECTION VAULTED WITH PITCHED ⑥



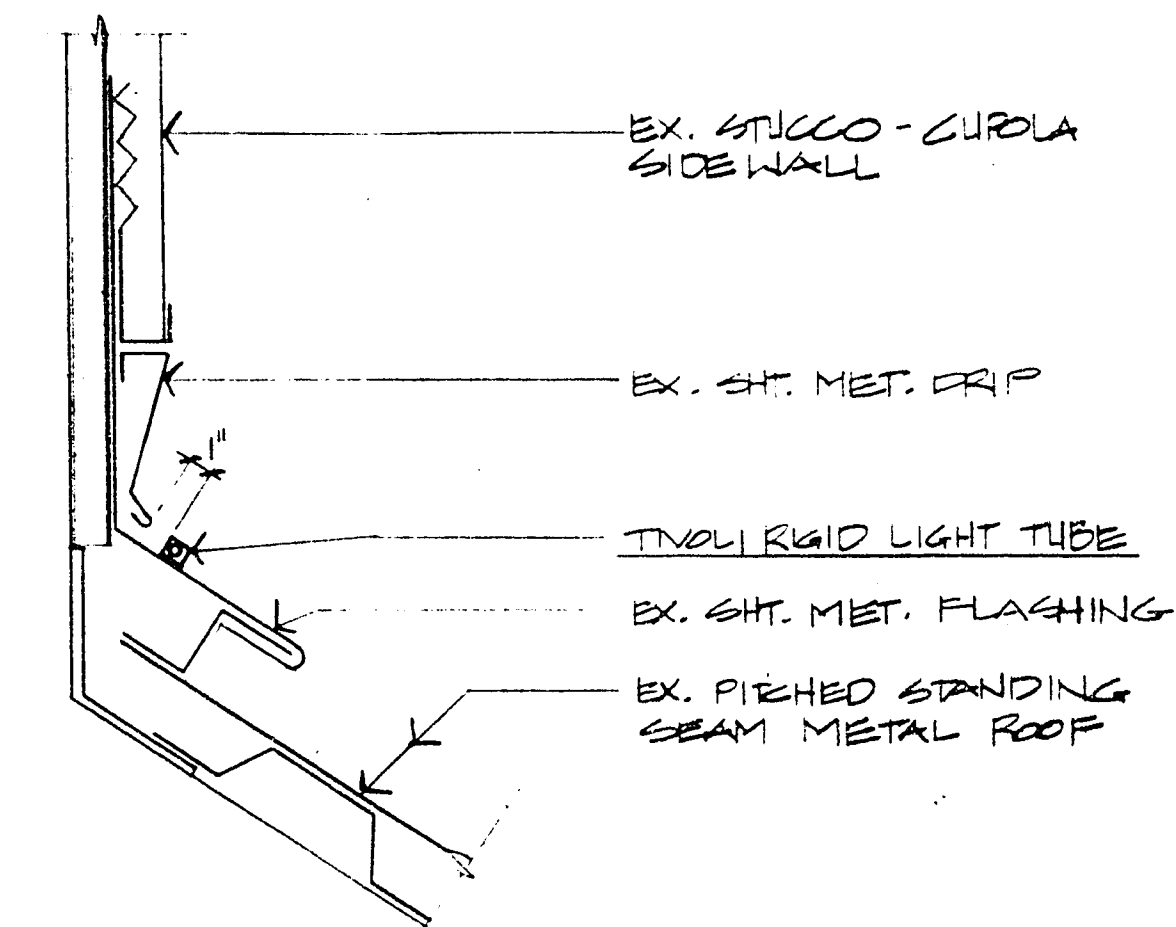
VAULTED ROOF AT GUTTER ⑦



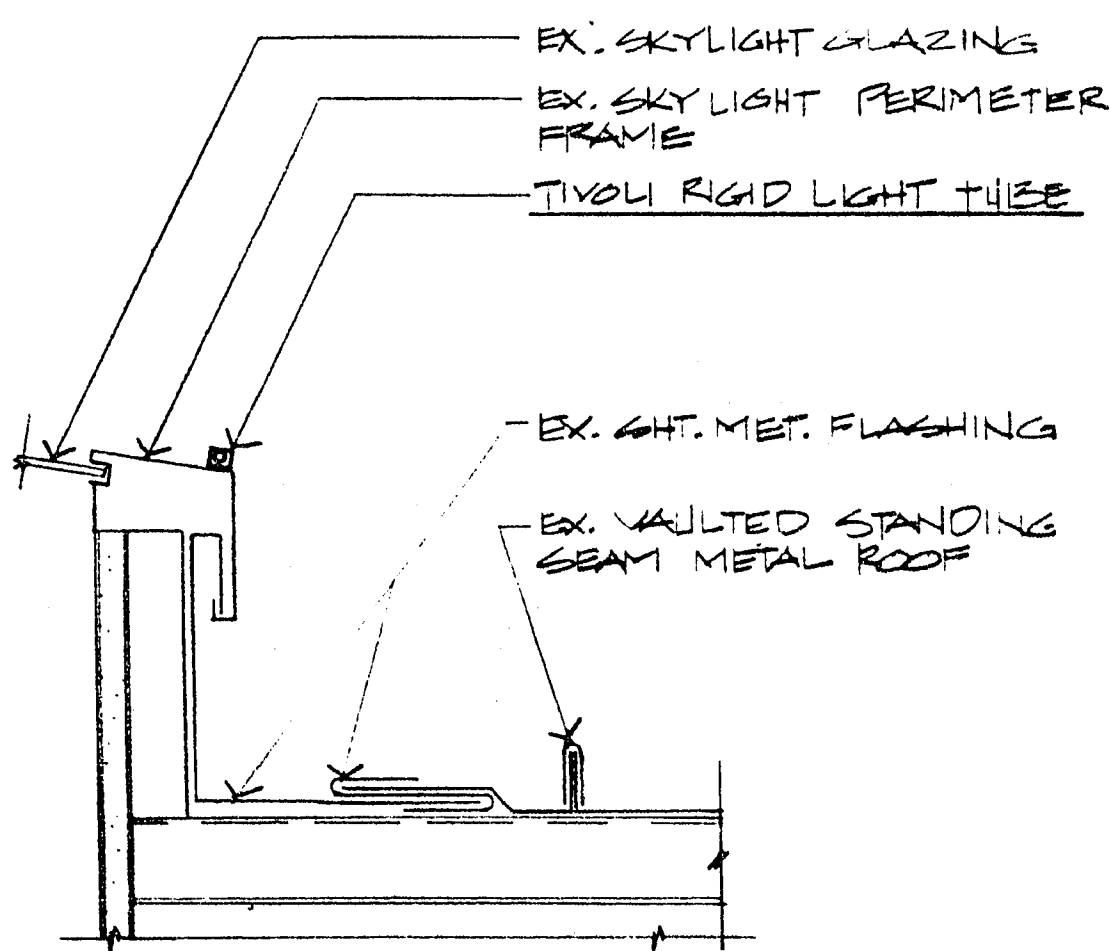
VAULTED AWNING AT GUTTER ⑧



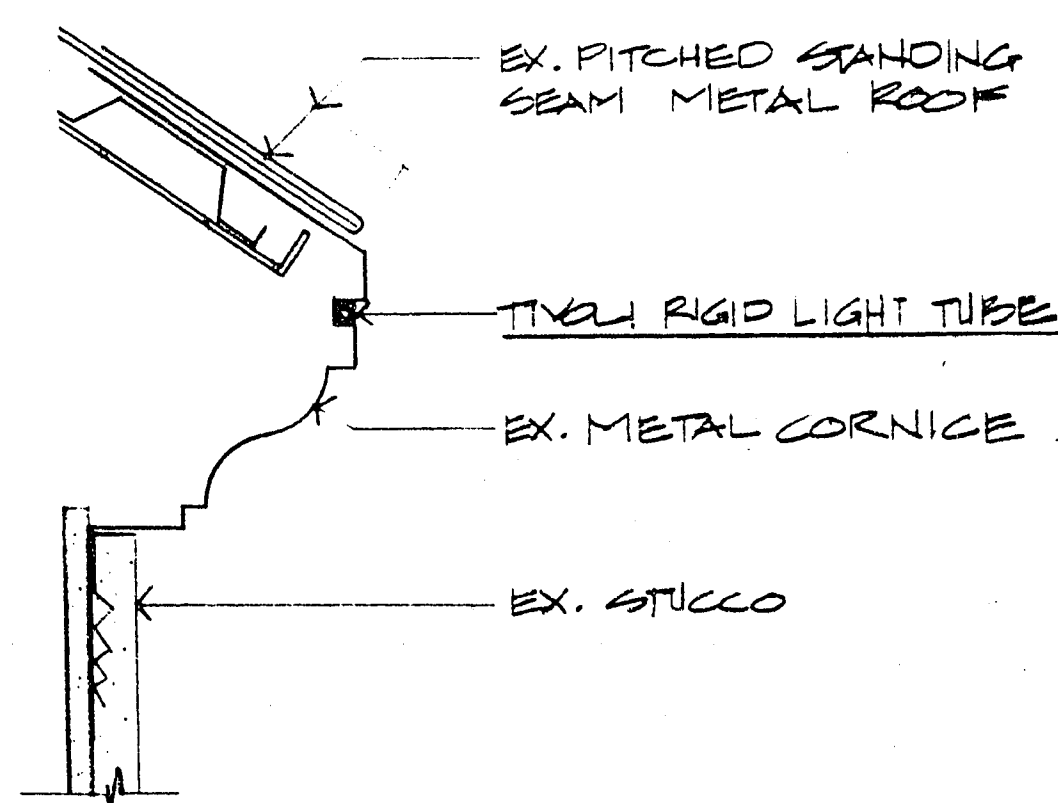
PITCHED ROOF HIP ⑨



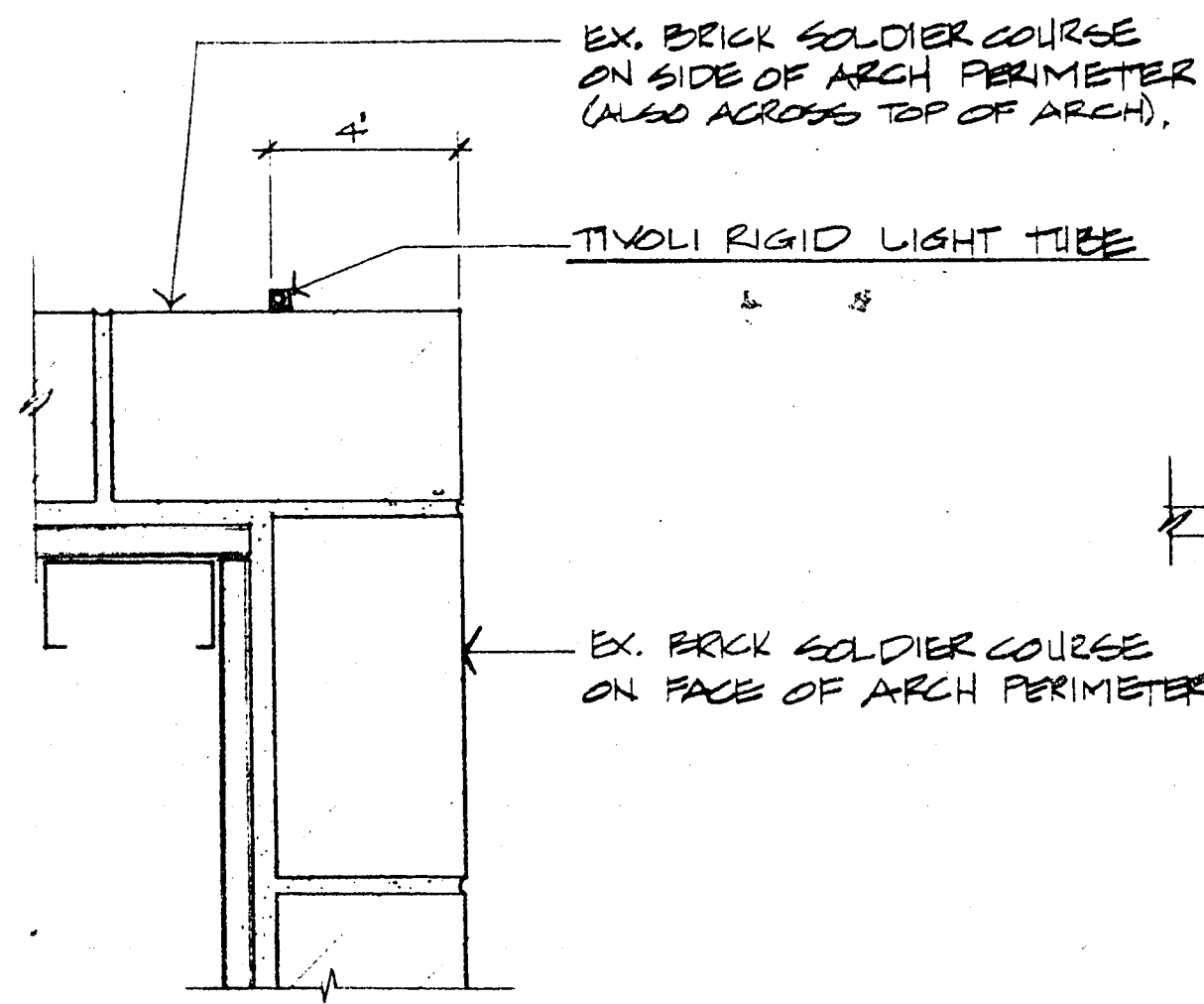
PITCHED ROOF AT CUPOLA ⑩



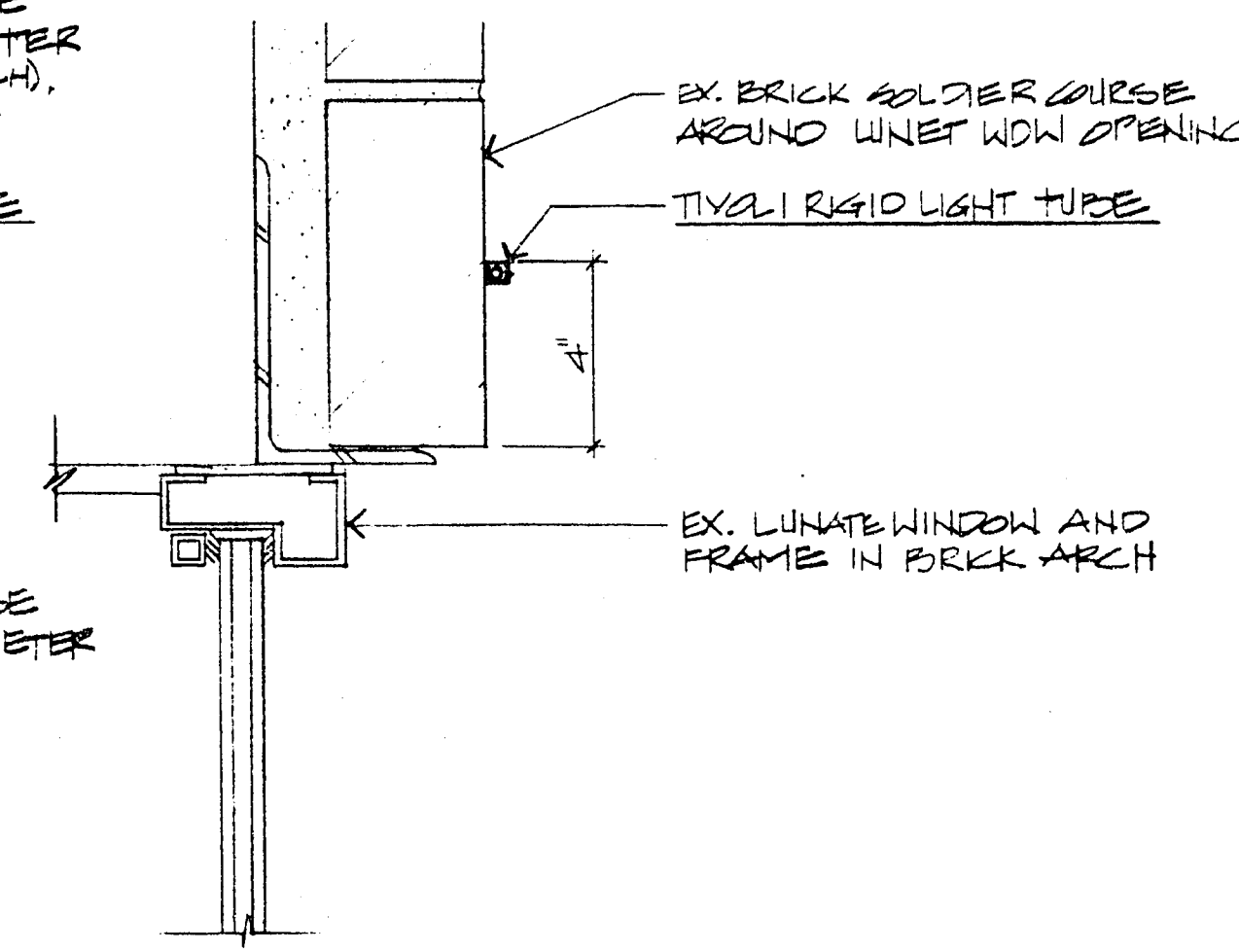
SKYLIGHT PERIMETER ⑪



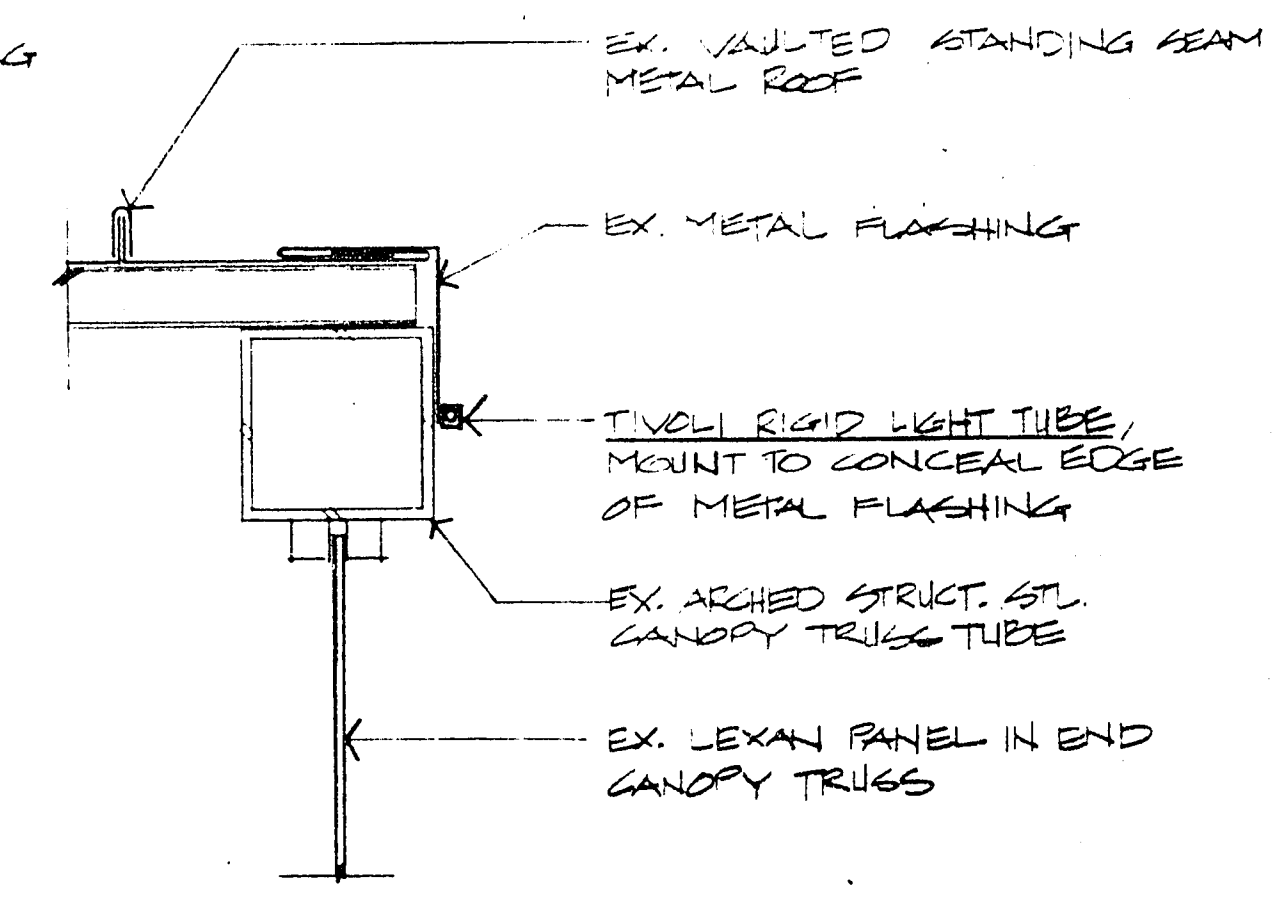
PITCHED ROOF CORNICE ⑫



BRICK ARCH PERIMETER (6 ARCHES) ⑬



LUNETTE WINDOW HEAD IN BRICK ARCHES ⑭



VAULTED CANOPY END ⑮



City of Las Vegas, Nevada
Department of Design and Development
 Thomas B. Graham, AICP, RIA, Director
 ARCHITECTURAL DESIGN DIVISION
 DESIGN BY: JACOMIE
 SCALE: 3/8" = 1'-0"
 DATE: 1/87

NO.	DATE	REVISIONS



DOWNTOWN TRANSPORTATION CENTER AMENITIES
Tivoli Light Tube Placement Details

PROJECT NO.
WU9040
 DRAWING NO.
590-2F
 SHEET 31 OF 41
A31

30-13-35