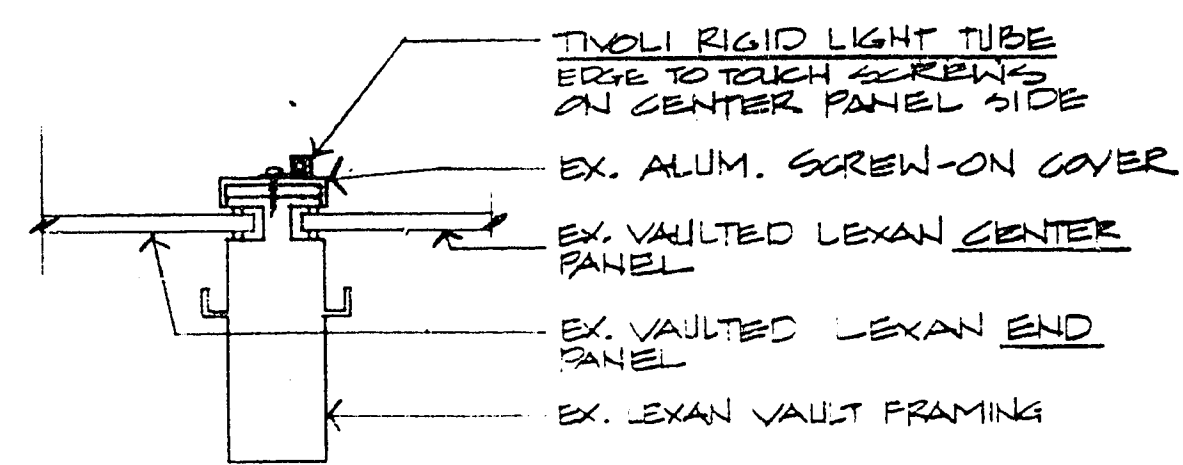


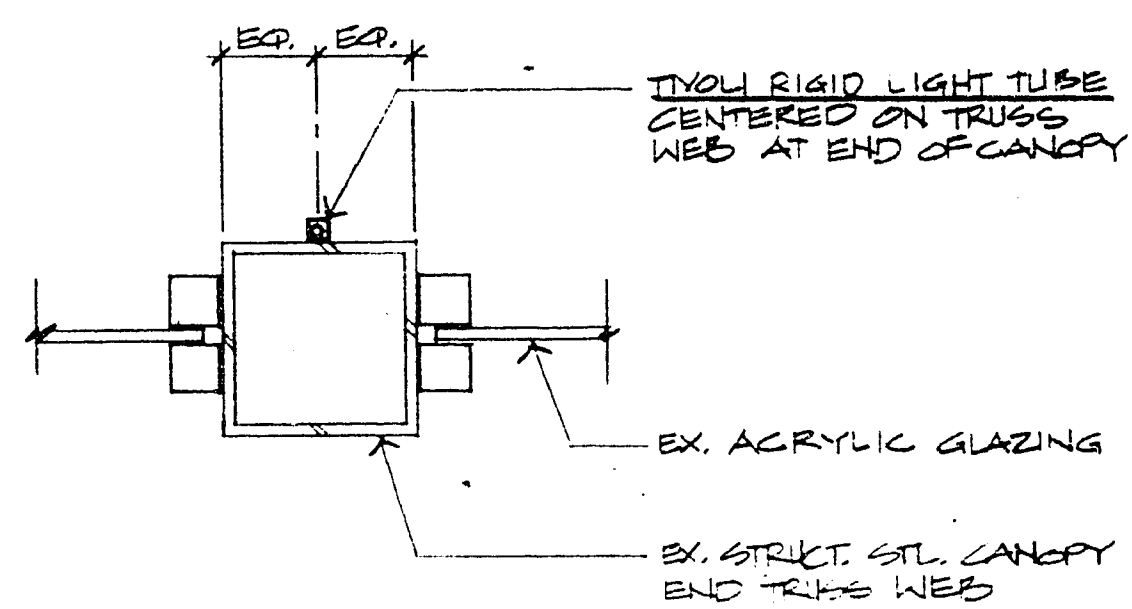
END OF AWNING

16



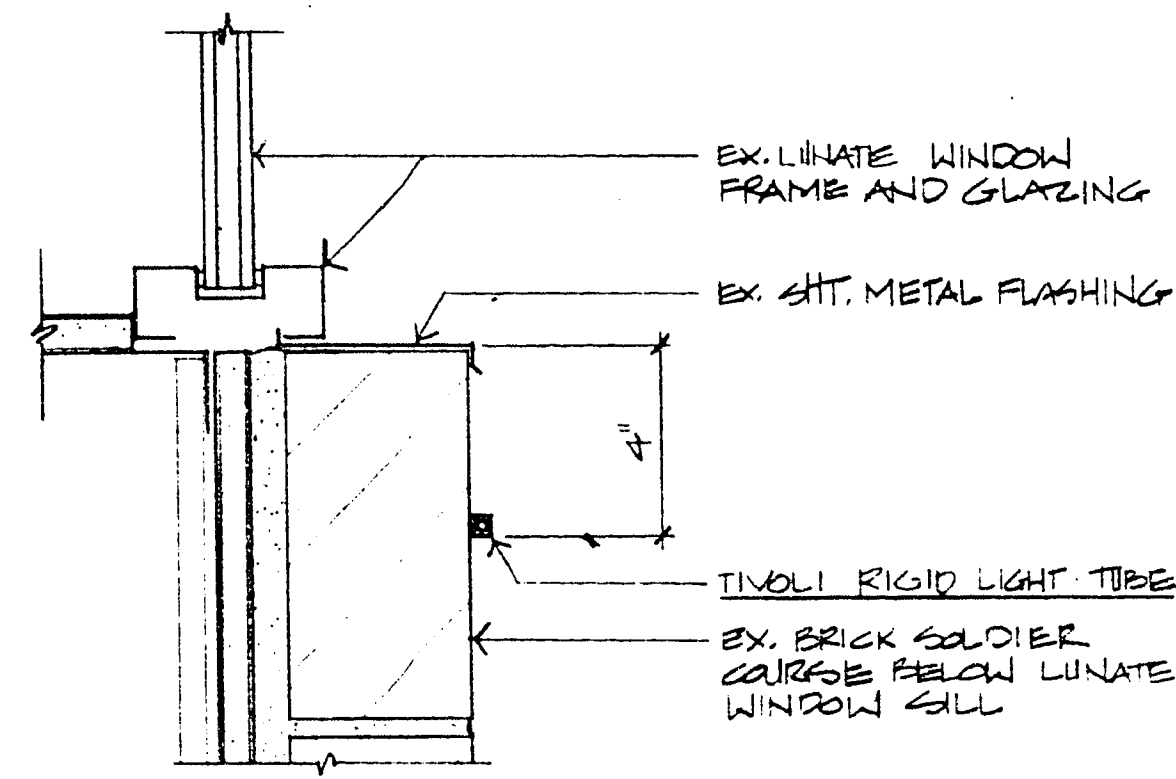
LEXAN VAULT - AT INTERMEDIATE MULLION

17



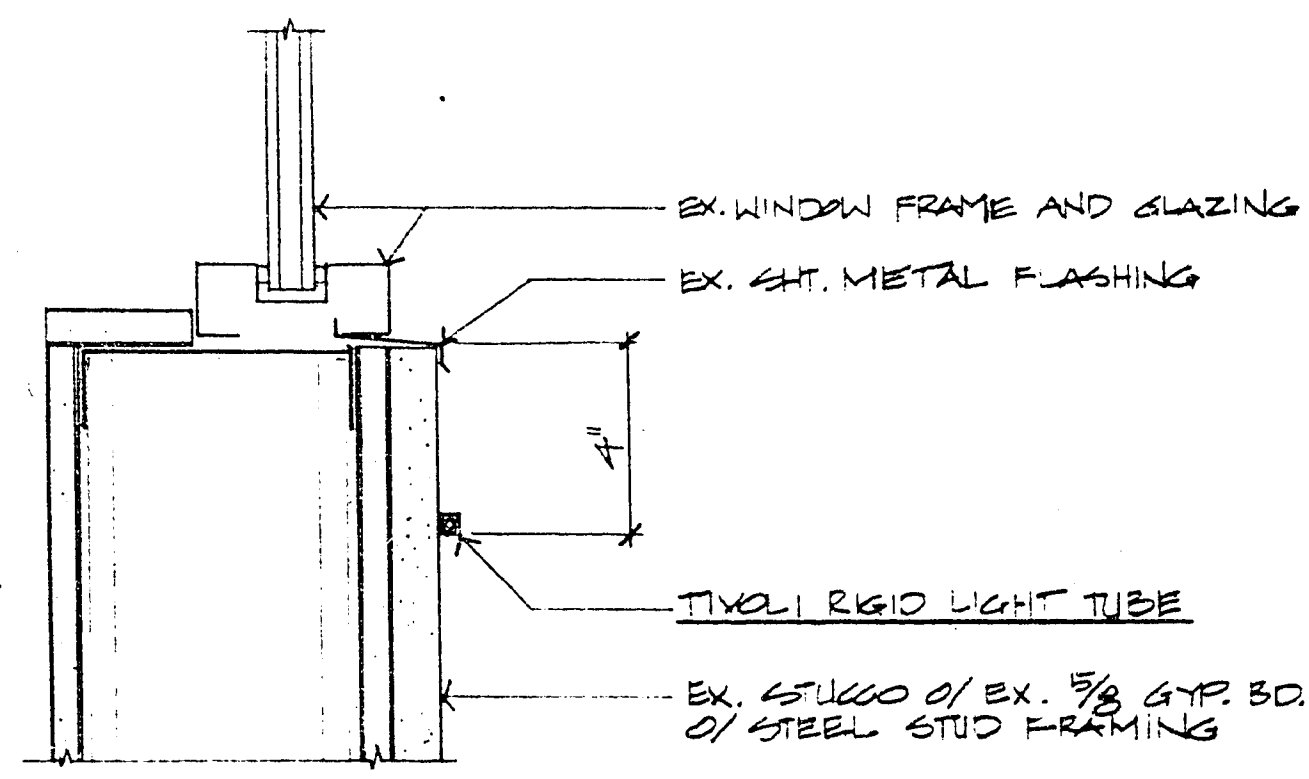
CANOPY END TRUSS WEB

18



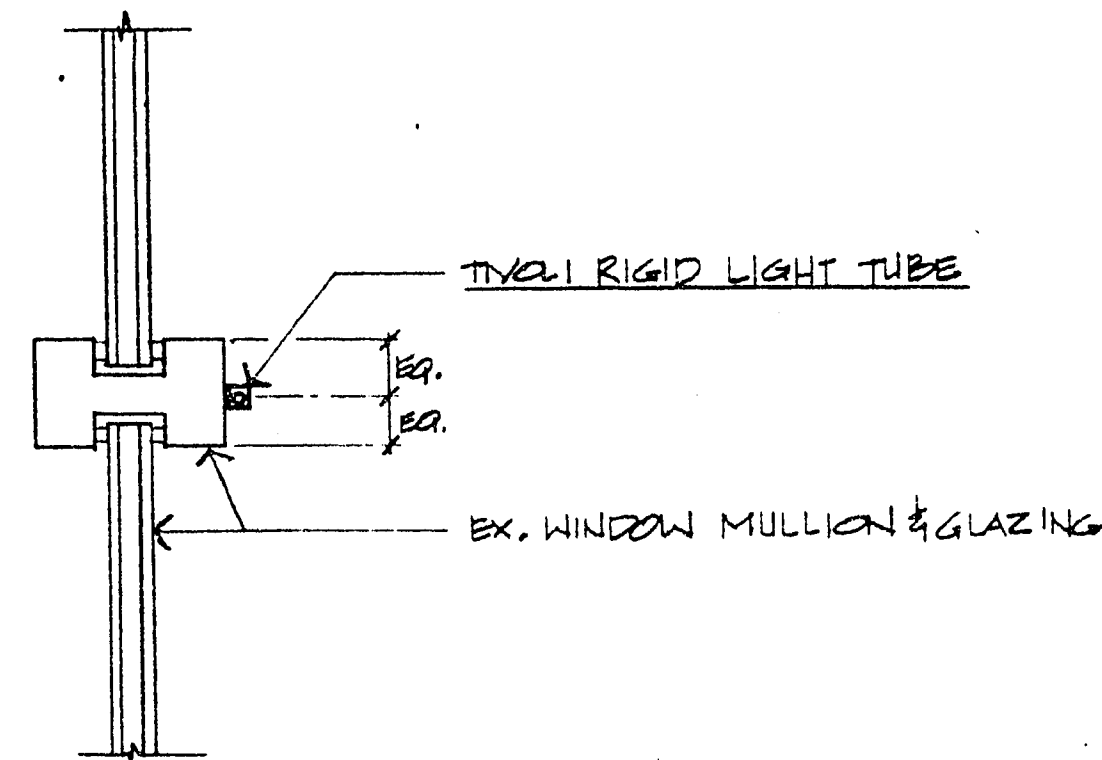
LUNATE WINDOW SILL IN BRICK ARCHES

19



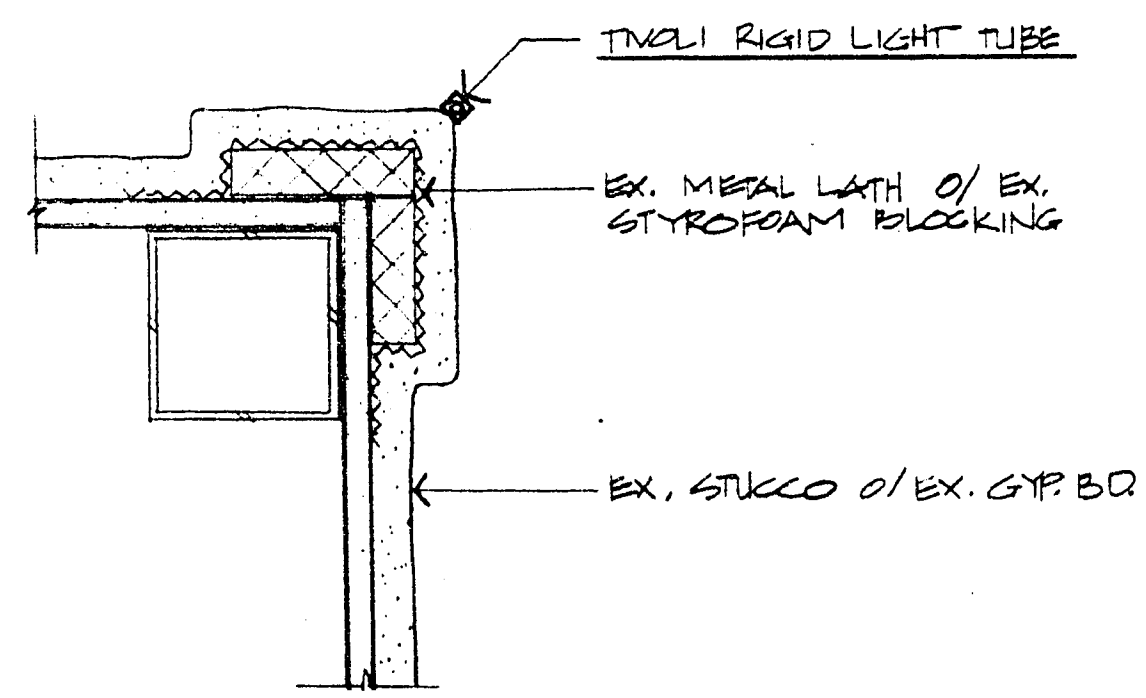
WINDOW SILL

20



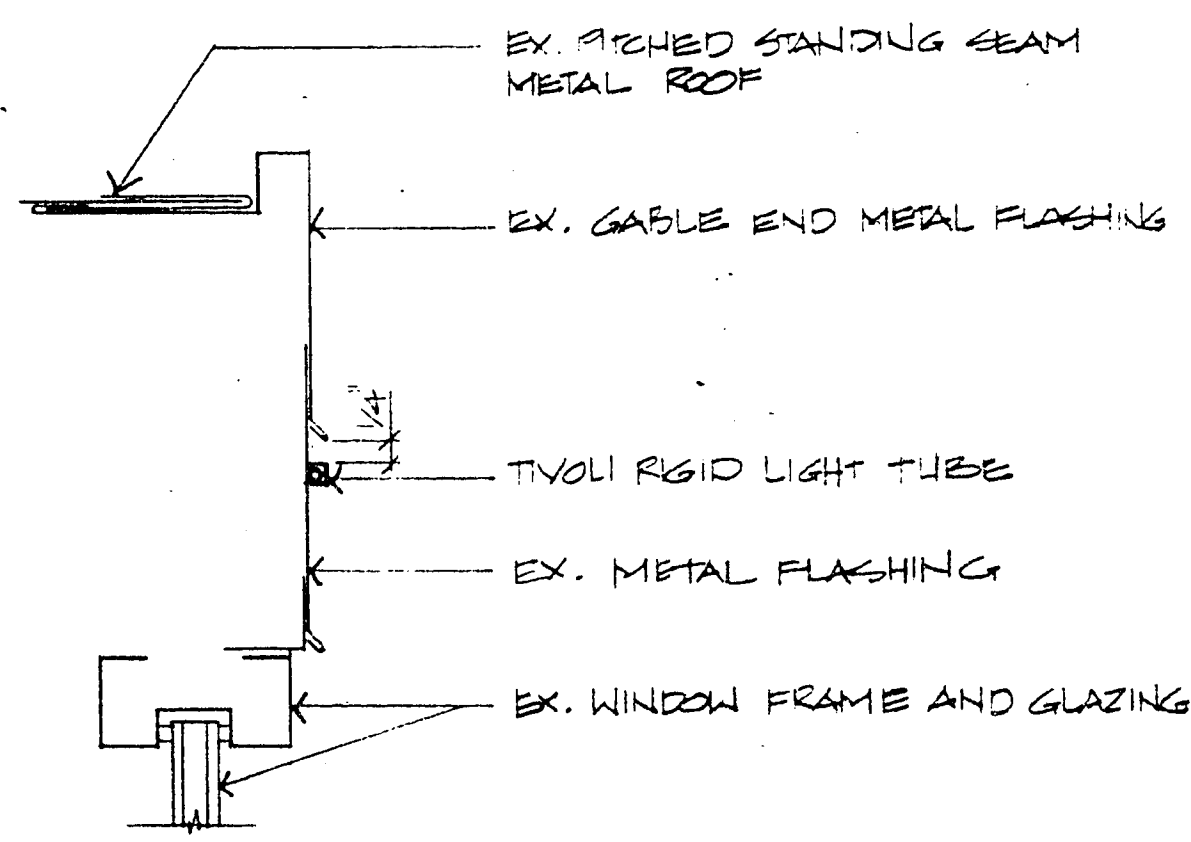
WINDOW MULLION

21



BUILDING CORNER

22



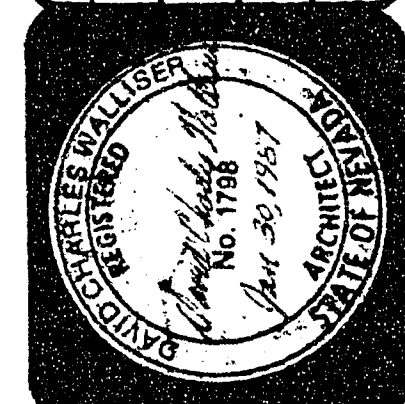
GABLE END

23



City of Las Vegas, Nevada
Department of Design and Development
 Thomas B. Graham, AICP, R.A., Director
 ARCHITECTURAL DESIGN DIV.
 DESIGN BY: JACOBS
 SCALE: 1/2" = 1'-0"
 DATE: 7/87

REVISIONS	DATE



DOWNTOWN TRANSPORTATION CENTER AMENITIES
 Tivoli Light Tube Placement Details

PROJECT NO.
WU9040
 DRAWING NO.
590-2F
 SHEET 32 OF 41
A32

30-13-36