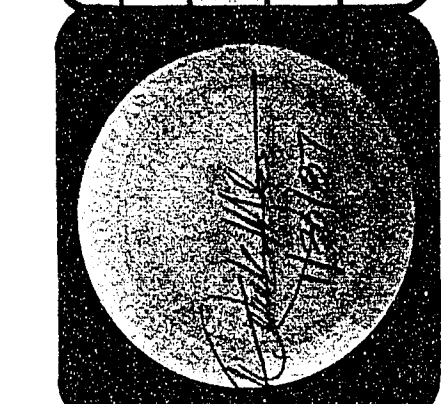




City of Las Vegas, Nevada
Department of Design and Development
 Thomas B. Graham, AICP, RLA, Director
 SCALES SHOWN DATE: 7/25/87
 DESIGN BY: DHIJ/CML
 DRAWN BY: CML

REVISIONS	DATE



DOWNTOWN TRANSPORTATION CENTER AMENITIES
Interior Planter-Planting & Irrigation Plan & Details

PROJECT NO.
WU9040
 DRAWING NO.
590-2F
 SHEET 36 OF 41
L4

Plant Schedule

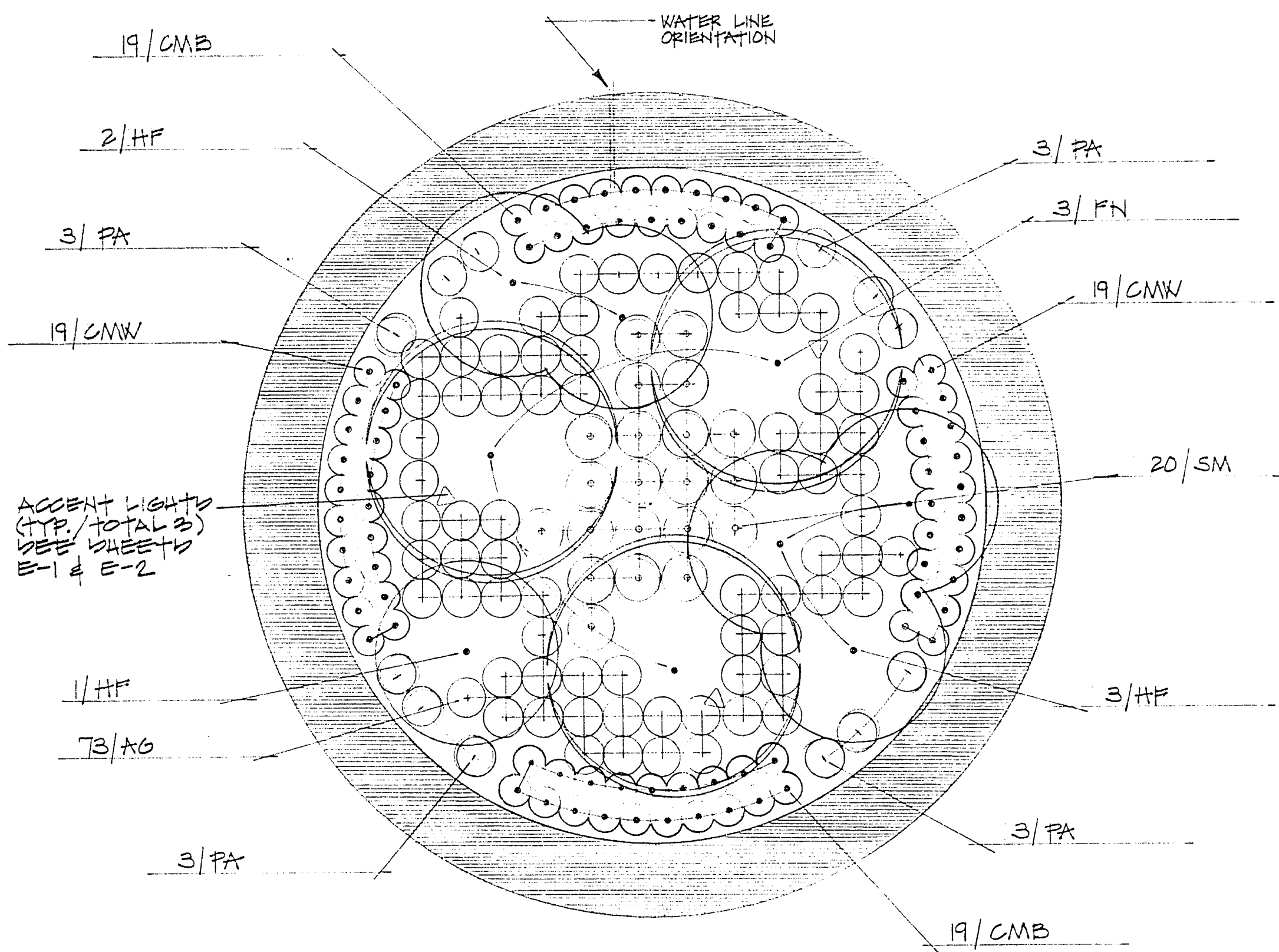
KEY	SIZE	BOTANICAL NAME
AR	8" POT	AGLAONEMA 'ROEBELINII'
CMB	6" POT	CHRYSANTHEMUM MORIFOLIUM 'BRONZE'
CNW	6" POT	CHRYSANTHEMUM M. WHITE SPIDER
FN	24" BOX	FIGUS M. NITIDA 'GREEN GEM'
HF	14" POT	HONEA FORSTERIANA
PA	8" POT	POTHOS AUREUS
SM	10" POT	SPATHIPHYLLUM 'MAUNA LOA'

NOTE:

ALL WORK SHOWN ON THIS SHEET IS WITHIN BID GROUP # 4, BASE BID.

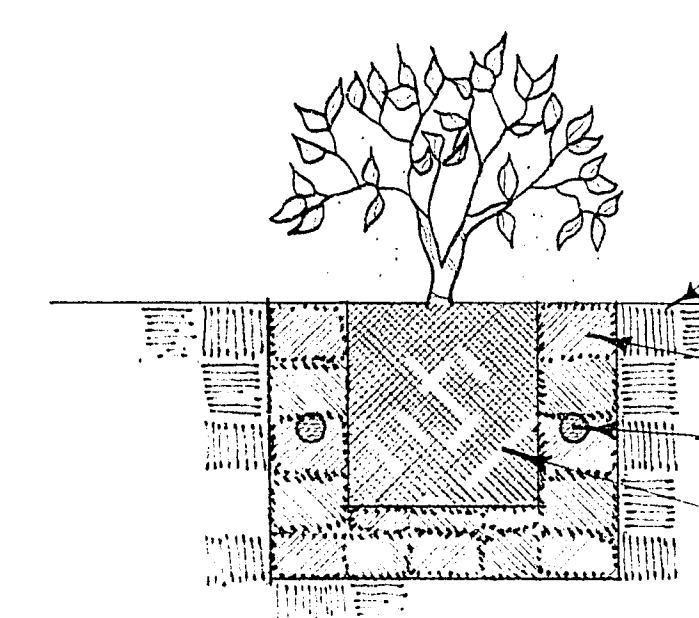
NOTE:

PLANTER SHALL BE FILLED WITH LANDSCAPE SOIL MIX (SEE SPECIFICATION) PLACED IN LAYERS ON EXISTING GRADE AND BOTTOMS OF OVEREXCAVATED TREE PITS TO A LEVEL 3" BELOW TOP OF PERIMETER WALL.



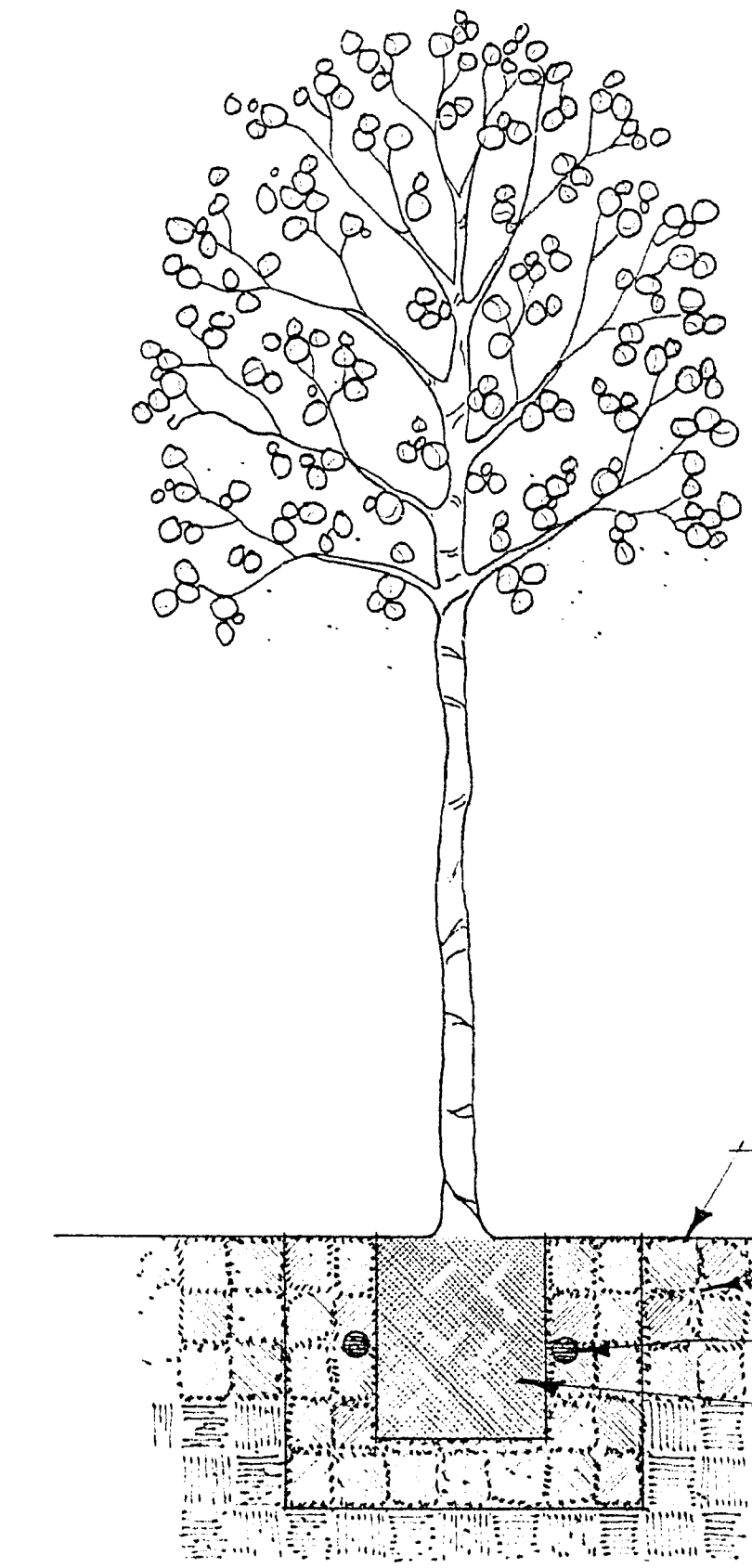
Planting Layout

Scale 1/2"=1'



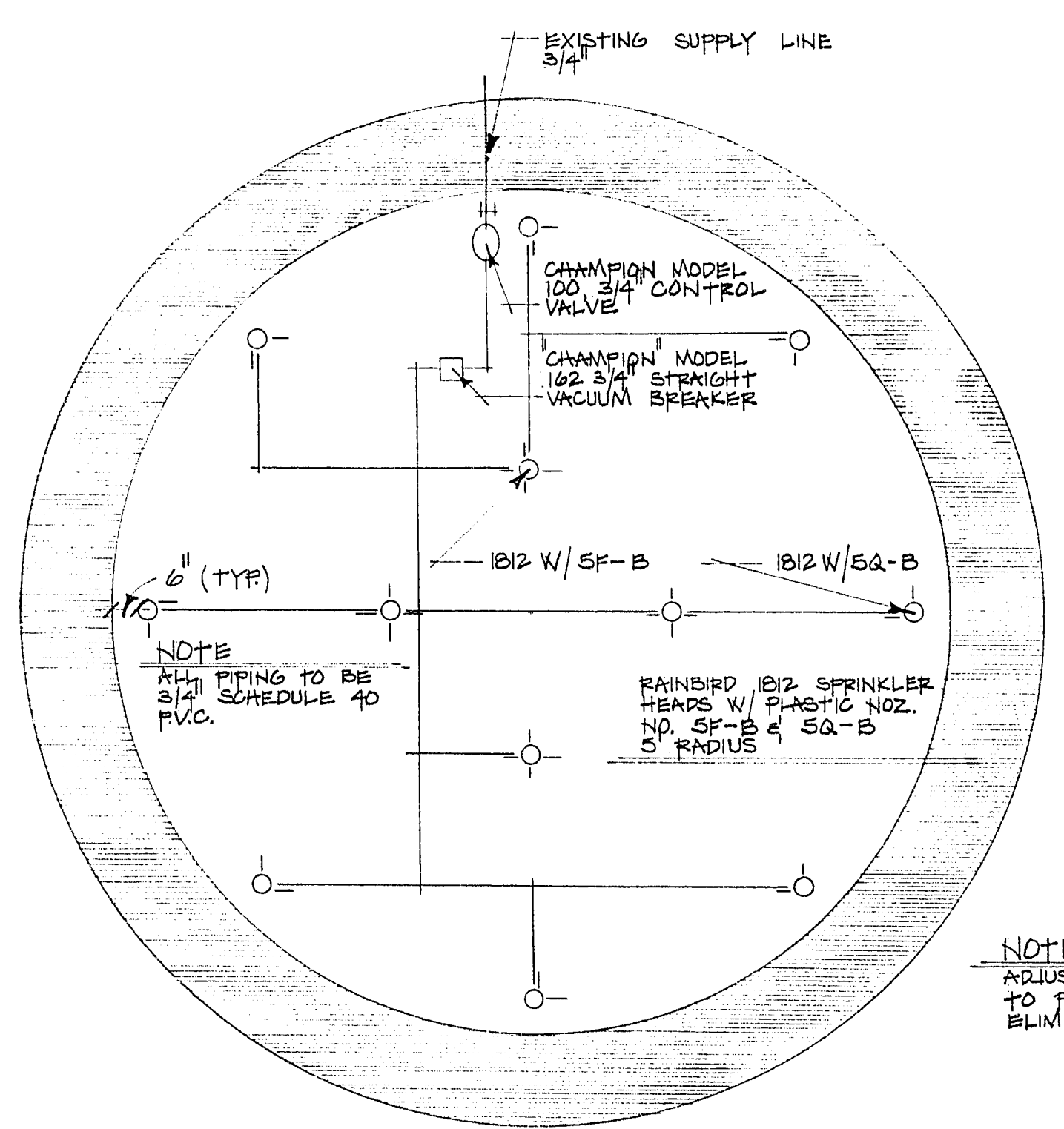
Shrub Planting Detail

No Scale



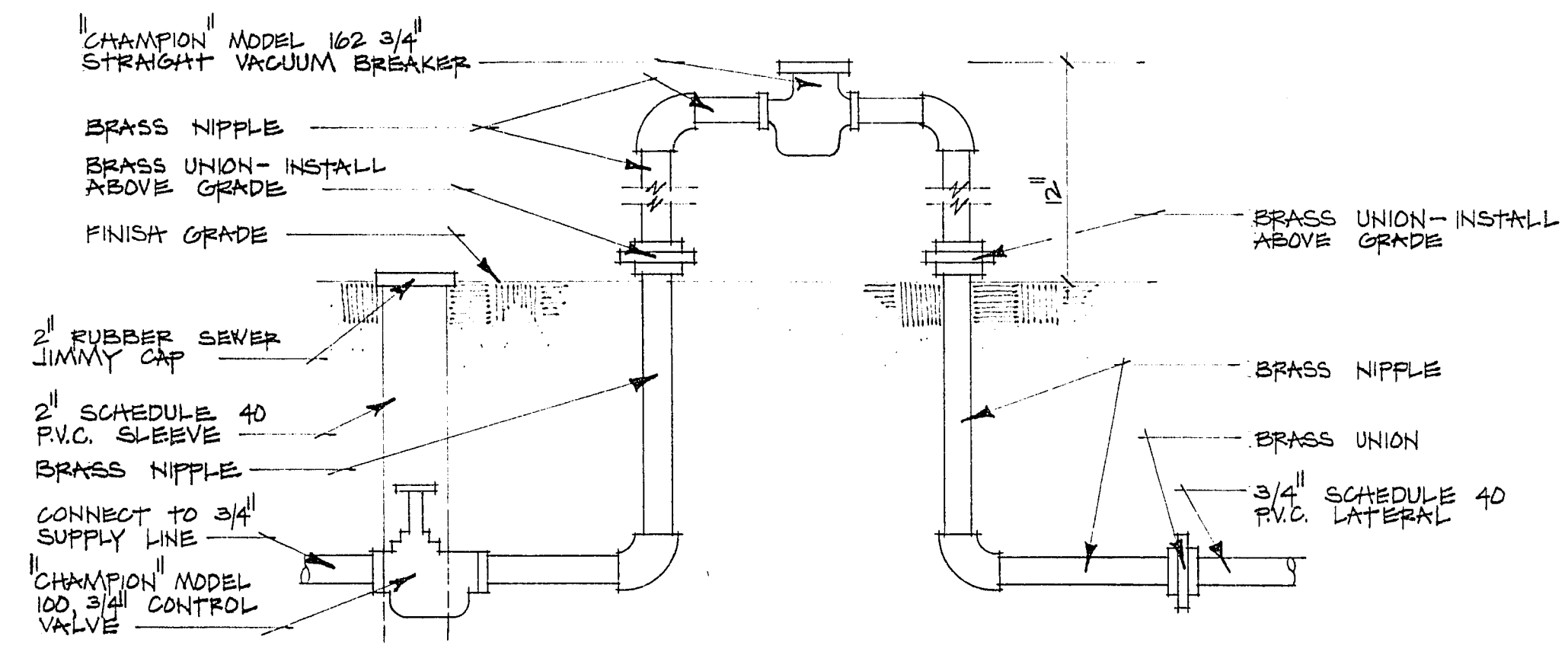
Interior Tree Planting Detail

No Scale



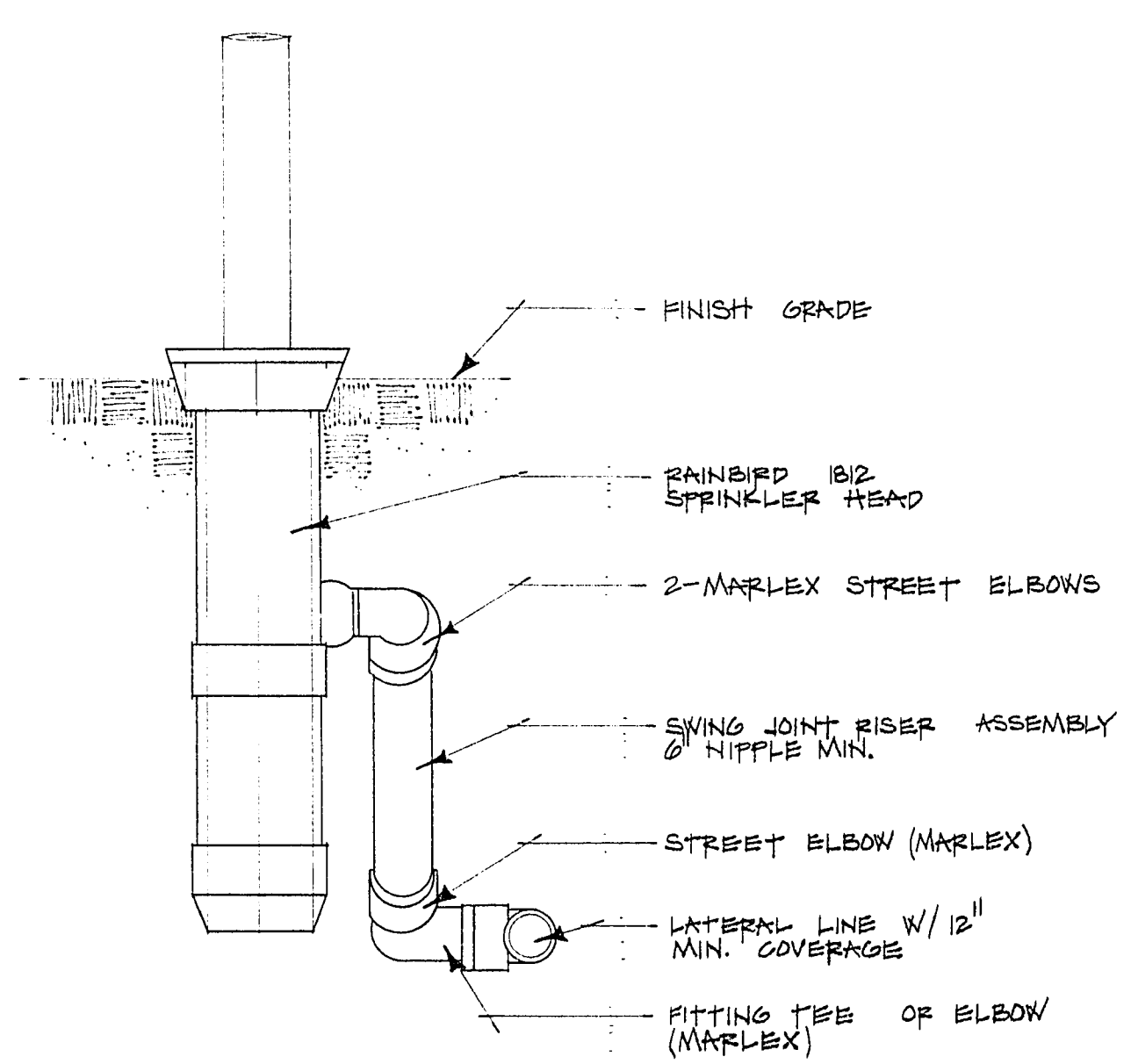
Irrigation Layout

Scale 1/2"=1'



Vacuum Breaker Detail

No Scale



Pop-up Sprinkler Detail

No Scale

CH-S-8