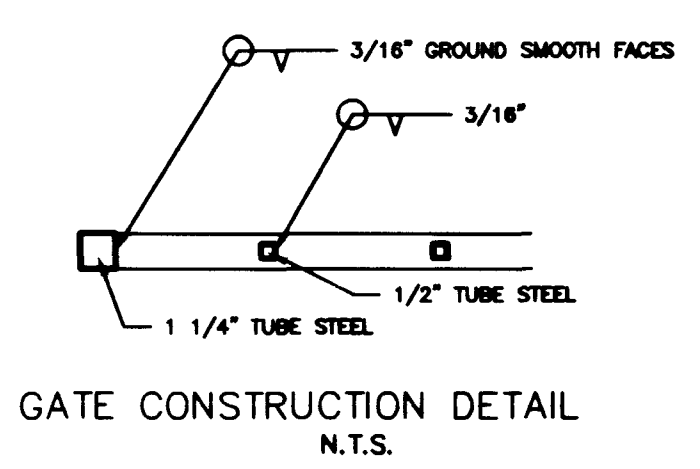
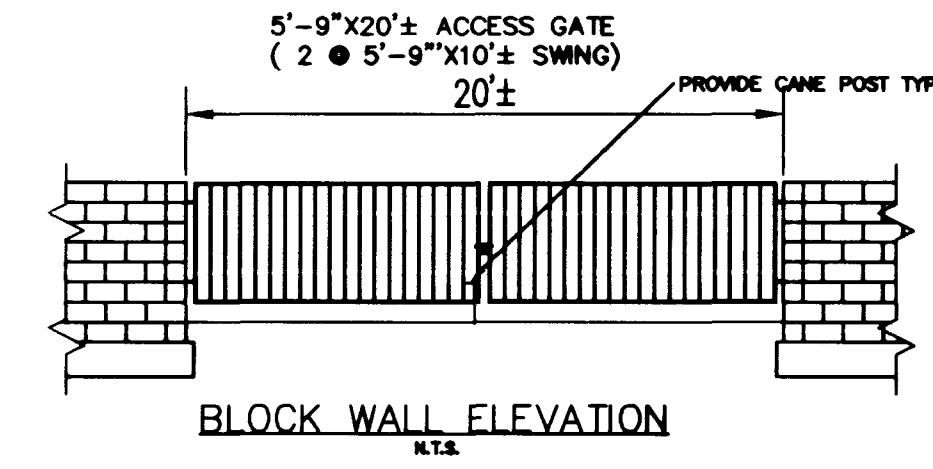
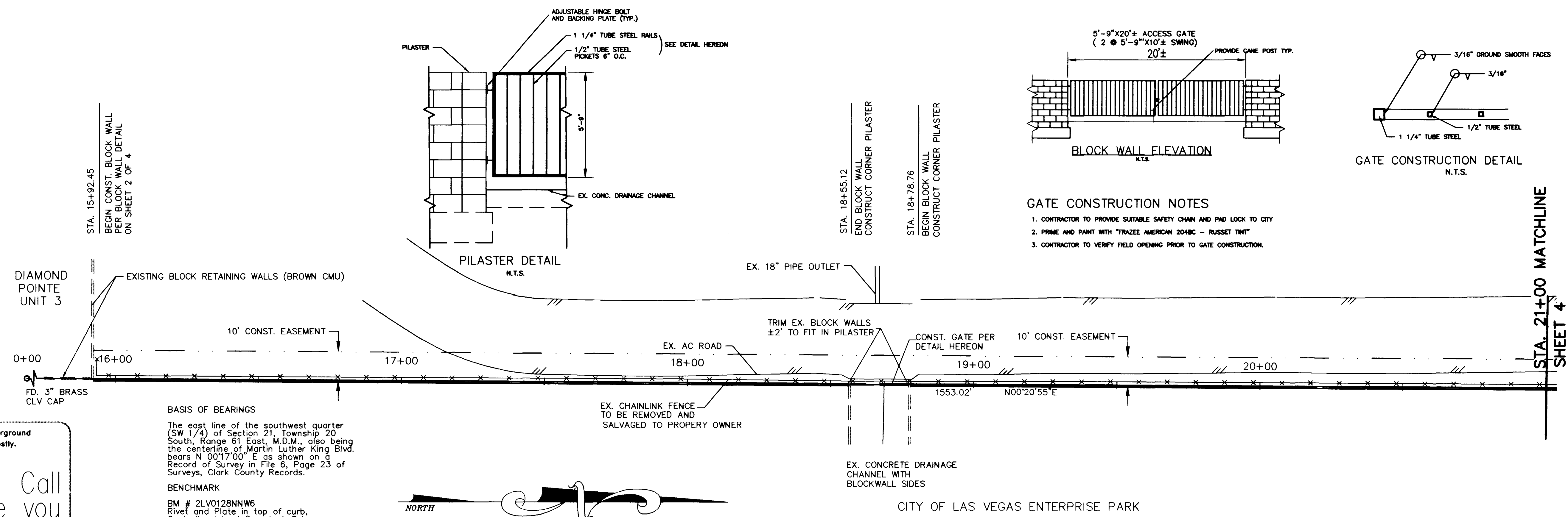


Avoid cutting underground utility lines. It's costly.

Call before you Dig.
1-800-227-2600



- GATE CONSTRUCTION NOTES**
1. CONTRACTOR TO PROVIDE SUITABLE SAFETY CHAIN AND PAD LOCK TO CITY
 2. PRIME AND PAINT WITH "FRAZEE AMERICAN 2048C - RUSSET TMT"
 3. CONTRACTOR TO VERIFY FIELD OPENING PRIOR TO GATE CONSTRUCTION.

BASIS OF BEARINGS
The east line of the southwest quarter (SW 1/4) of Section 21, Township 20 South, Range 61 East, M.D.M., also being the centerline of Martin Luther King Blvd. bears N 00°17'00" E as shown on a Record of Survey in File 6, Page 23 of Surveys, Clark County Records.

BENCHMARK
BM # 2LV0128NNW6
Rivet and Plate in top of curb, Centerline Island Comstock Drive and Owens Avenue
Elev. 2060.543 NAVD 88

REVISION	BY	DATE	REV

CITY OF LAS VEGAS DEPARTMENT OF PUBLIC WORKS

ENGINEERING DESIGN SECTION
DENNIS ANDERSON, P.E.
ED NETTENSTROM, P.E.
CITY ENGINEER
PROJECT MANAGER

CITY OF LAS VEGAS

PLAN & PROFILE
BLOCK WALL
STA 15+50 TO 21+00
ENTERPRISE PARK
BLOCK WALL

SHEET

TITLE

SCALE: H: 1"=20'
V: 1"=2'

DATE: 4/14/98

DESIGNED BY: ECH/DBL

CHECKED BY: ECH

PROJECT NO.:

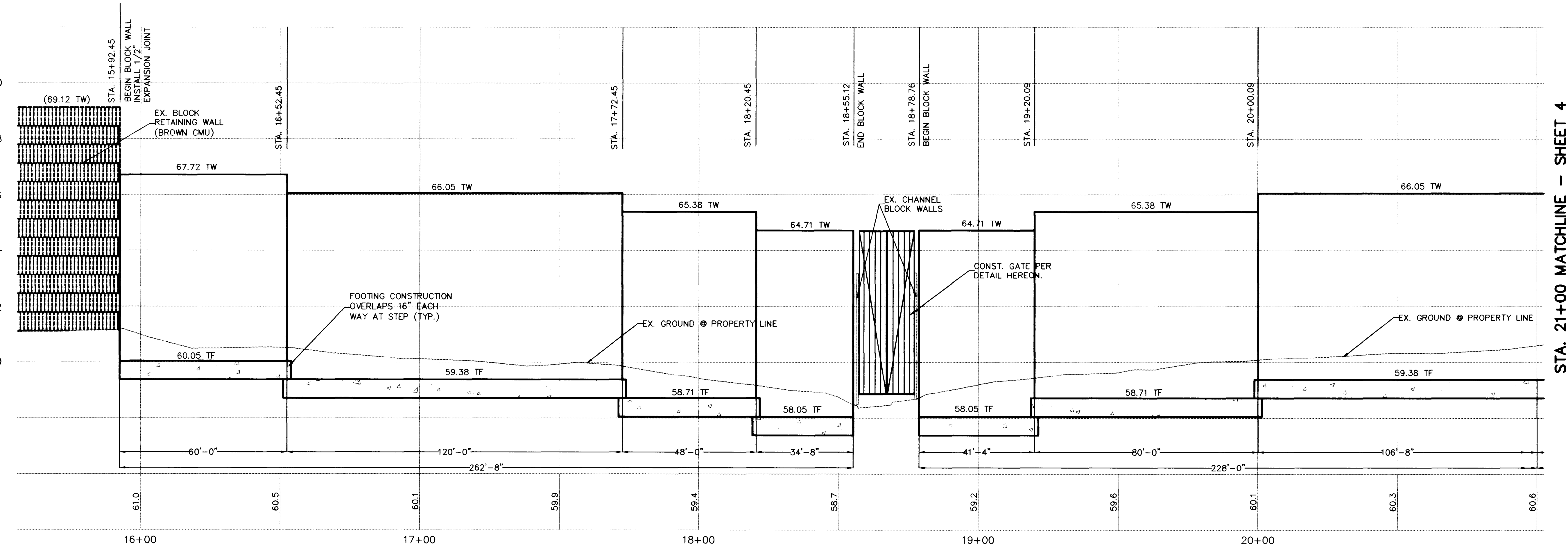
DRAWN BY: DBL

DATE: 4/14/98

4-28-98

3 OF 4 SHEETS

DRAWING NO. 530-V2C



STA. 21+00 MATCHLINE - SHEET 4

AS BUILT

