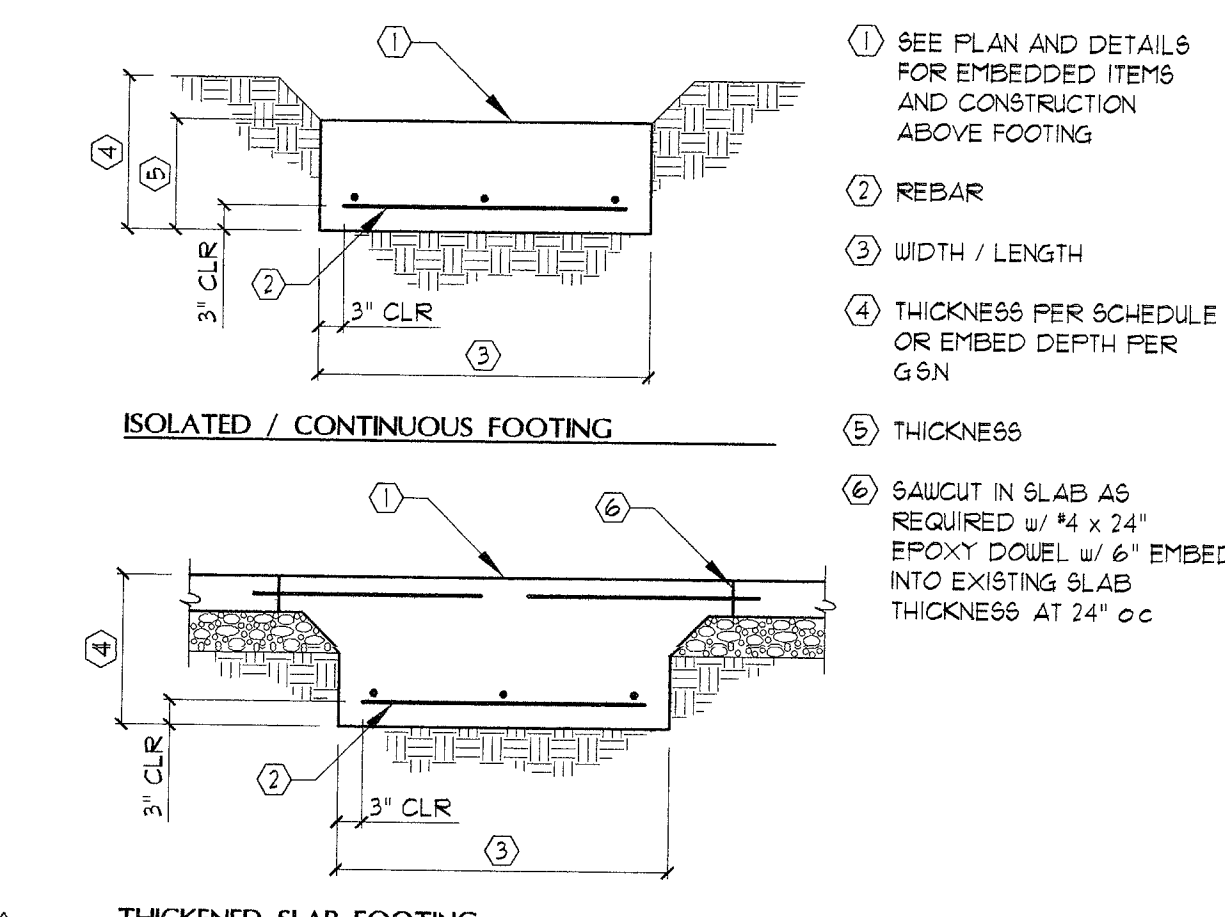


BUILDING 3 - FOUNDATION PLAN
 SCALE 3/8" = 1'-0"
 26220

FOUNDATION PLAN KEYNOTES

- 1 REMOVE EXISTING SLAB AND LEAVE SOIL EXPOSED
- 2 SAUCUT AND REMOVE EXISTING SLAB AS REQUIRED REPAIR SLAB PER KEYNOTE 1
- 3 SAUCUT AND REMOVE EXISTING SLAB FOR NEW FOOTING PER FOOTING SCHEDULE
- 4 REPAIR SLAB ON GRADE AS REQUIRED WHERE PLUMBING IS REMOVED
- 5 REMOVE SEVERELY DAMAGED SLAB ON GRADE OVER EXCAVATE 18" BELOW SLAB REPLACE w/ 4" CONCRETE SLAB OVER TYPE II SUB BASE REINFORCE SLAB w/ 9" AT 18" o.c. EACH WAY CENTERED
- 6 FILL EXISTING RETURN GRILLS w/ CONCRETE TO MATCH LEVEL OF SLAB ON GRADE ALSO FILL RETURN END AT LOCATION OF CONCRETE
- 7 REMOVE EXISTING WALL AT HATCHED AREA AND SHORE UP AS REQUIRED REPLACE w/ NEW STUDS AND SILL PLATE PER FRAMING PLAN/ G.S.N.

FOOTING (F) SCHEDULE



MARK	WIDTH	LENGTH	THICKNESS	FOOTING REBAR	NOTES
F1	2'-3"	2'-3"	1'-0"	(3) #4 CONT TOP AND BOTTOM	
F2	3'-0"	3'-0"	1'-0"	(4) #4 E W TOP AND BOTTOM	
F3	3'-0"	CONT	18"	(3) #4 CONT TOP AND BOTTOM #4 HOOPS AT 12" o.c	
F4	4'-9"	4'-9"	1'-0"	(7) #4 E W TOP AND BOTTOM	
F5	2'-6"	4'-0"	1'-0"	(5) #4 E W TOP AND BOTTOM	
F6	3'-0"	CONT	2'-0"	(3) #4 CONT TOP AND BOTTOM #4 HOOPS AT 12" o.c	
F7	2'-0"	3'-0"	1'-0"	(4) #4 E W TOP AND BOTTOM	

COLUMN (C) SCHEDULE

- A FOR BASE PLATE CONFIGURATION, AB PATTERN AND COLUMN TO BASE PLATE CONNECTION SEE TYPICAL COLUMN BASE PLATE SCHEDULE
- B STANDARD ANCHOR BOLT EMBEDMENT = 8" UNO
- C BASE PLATE LENGTH "L" SHALL BE ORIENTED PARALLEL TO WEB OF WIDE FLANGE COLUMN UNO

MARK	SIZE	BASE PLATE (l + w + l)	NOTES
C1	H564x44/4	3/4" x 2' x 1'-0" w/ (4) 3/4" DIA. AB TYPE A	
C2	H566x60/4	3/4" x 10' x 1'-2" w/ (4) 3/4" DIA. AB TYPE B	

FOUNDATION PLAN NOTES

- A VERIFY ALL DIMENSIONS PRIOR TO CONSTRUCTION RESOLVE DISCREPANCIES WITH ARCHITECT
- B VERIFY LOCATION OF ALL INSERTS IN SLAB WITH ARCH'L MECH PLUMBING AND ELECT PRIOR TO CONSTRUCTION
- C ALL FOOTINGS SHALL EXTEND 18" MIN BELOW TOP OF SLAB
- D TOP OF FOOTING ELEVATION AT STEEL COLUMNS = 1'-0" BELOW FF UNO
- E C1 C2 C3 DENOTES COLUMN PER SCHEDULE THIS SHEET
F1 F2 F3 DENOTES ISOLATED FOOTING PER SCHEDULE THIS SHEET
- F TYPICAL MASONRY JOINTS SHALL BE (2) #5 - 24" UNO
- G MASONRY CONTROL JOINTS SHALL BE PLACED AT INTERVALS NOT TO EXCEED 40'-0" o.c. COORDINATE EXACT LOCATION OF CONTROL JOINTS w/ ARCH'L
- H ALL MASONRY WALLS SHALL BE 8" CMU REINFORCED WITH #5 VERTICAL AT 48" o.c. SEE GEN PLAN AND DETAILS FOR SPECIAL REINFORCING REQUIRED AT CORNERS JAMBS WALL OPENINGS AT TOP OF WALL AND FOR REQUIRED LOCATION OF VERTICAL BARS WITHIN THE CELL. SPECIAL INSPECTION PER UBC 1703 IS REQUIRED FOR ALL MASONRY.
- I DENOTES GENERAL SHEARWALL LOCATION SEE FLOOR FRAMING PLAN FOR EXACT LOCATION ANCHOR BOLTS/ SOLE PLATE INFO.
- J IF BOTH CEMENTED SOIL AND STRUCTURAL FILL ARE PRESENT AT THE BASE OF FOOTING EXCAVATION THE CEMENTED SOILS SHOULD BE OVEREXCAVATED TO A MINIMUM DEPTH OF 18 INCHES AND REPLACED WITH PROPERLY COMPACTED STRUCTURAL FILL OR THE NATIVE SOIL STRUCTURAL FILL SHOULD BE OVEREXCAVATED TO EXPOSE UNDERLYING CEMENTED SOIL AND REPLACED WITH LEAN CONCRETE.

REVISED 06/24/04 FLANCKECK - STRUCT'L REV
 09/27/04 FLANCKECK

JMA ARCHITECTURE STUDIOS
 10158 COTTINGTON CROSS DRIVE LAS VEGAS, NEVADA 89146 (702) 731-7003

CITY OF LAS VEGAS
DOWNTOWN SENIOR SERVICES CENTER
 NEIGHBORHOOD SERVICES

BID SET

OWNER: CITY OF LAS VEGAS
 DEPARTMENT OF PUBLIC WORKS
 ARCHITECTURAL SERVICES

1400 EAST STEPHEN AVENUE
 LAS VEGAS, NEVADA 89101
 PHONE: (702) 231-8533
 FAX: (702) 382-3232
 E-MAIL: JMA@JMA.COM

DESIGNER: VAC / SCG
 FILE: 53E73466-3
 DATE: MAY 10, 2004
 SCALE: 3/8" = 1'-0"
 SHEET NO: 041534101
 SHEET TITLE: 521-281
 FOUNDATION PLAN

WRIGHT ENGINEERS
 7425 Peak Drive
 Las Vegas, Nevada 89128
 (702) 933-7000 fax (702) 933-7001
 www.wrightengineers.com

S3.1