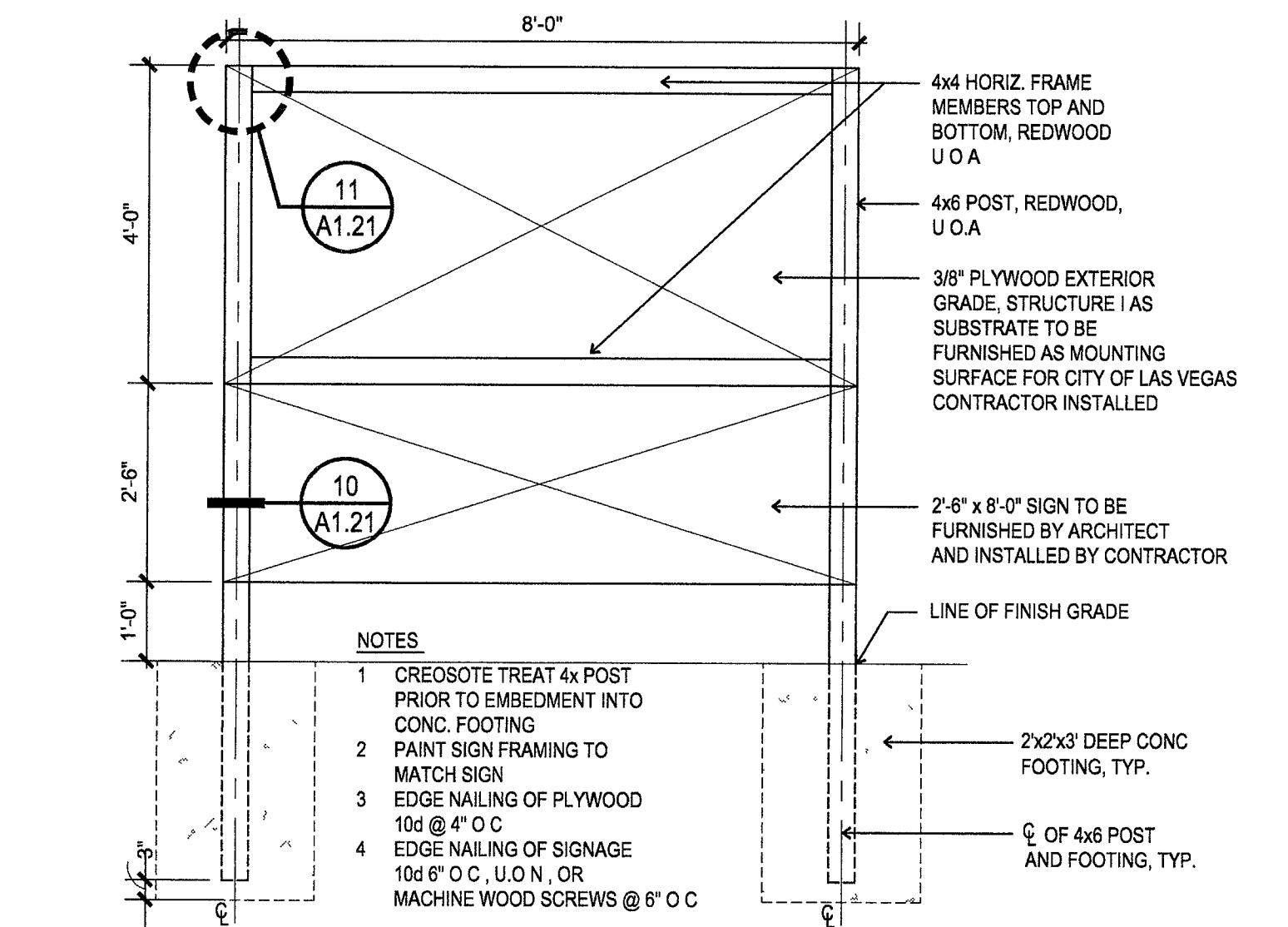
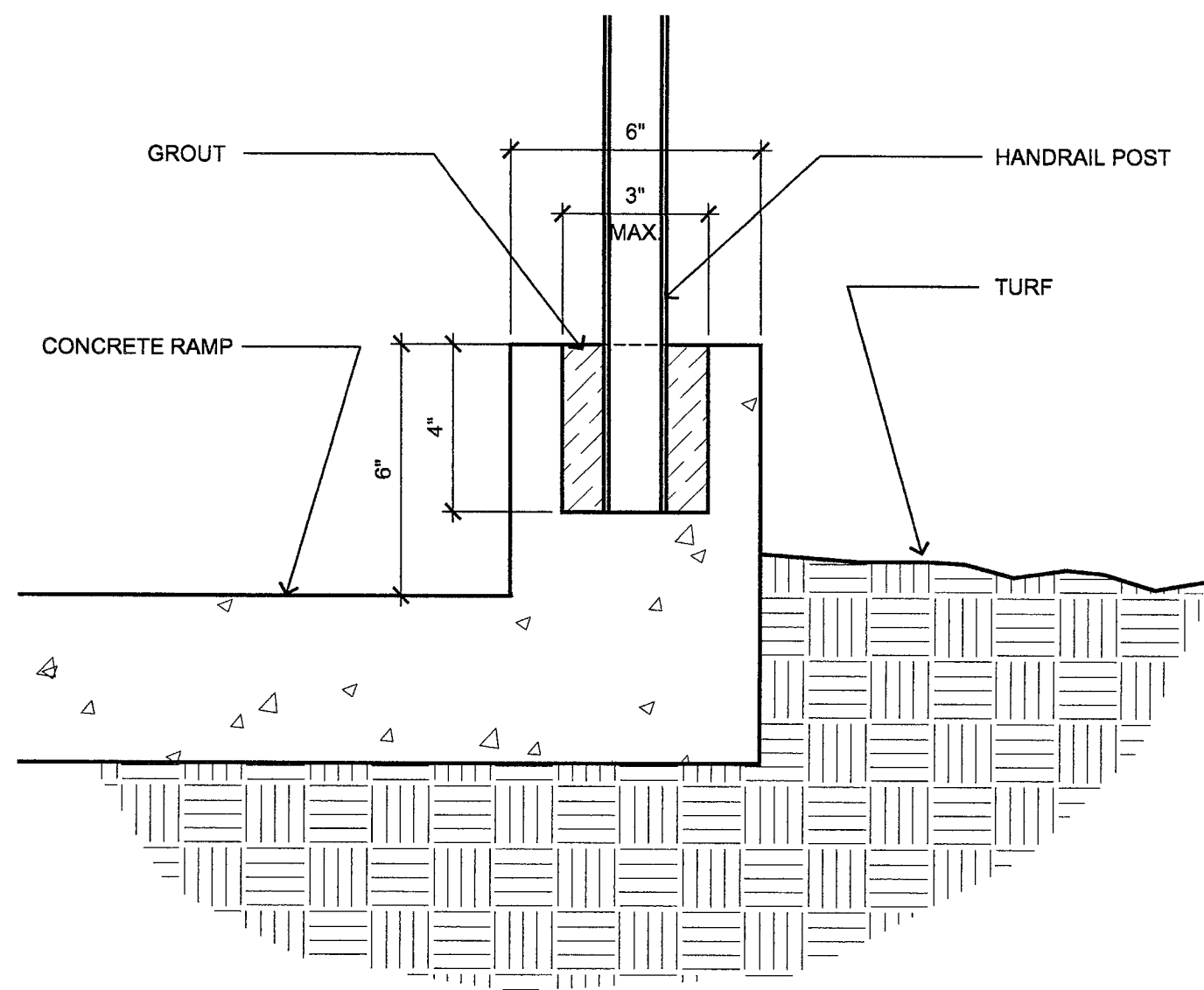


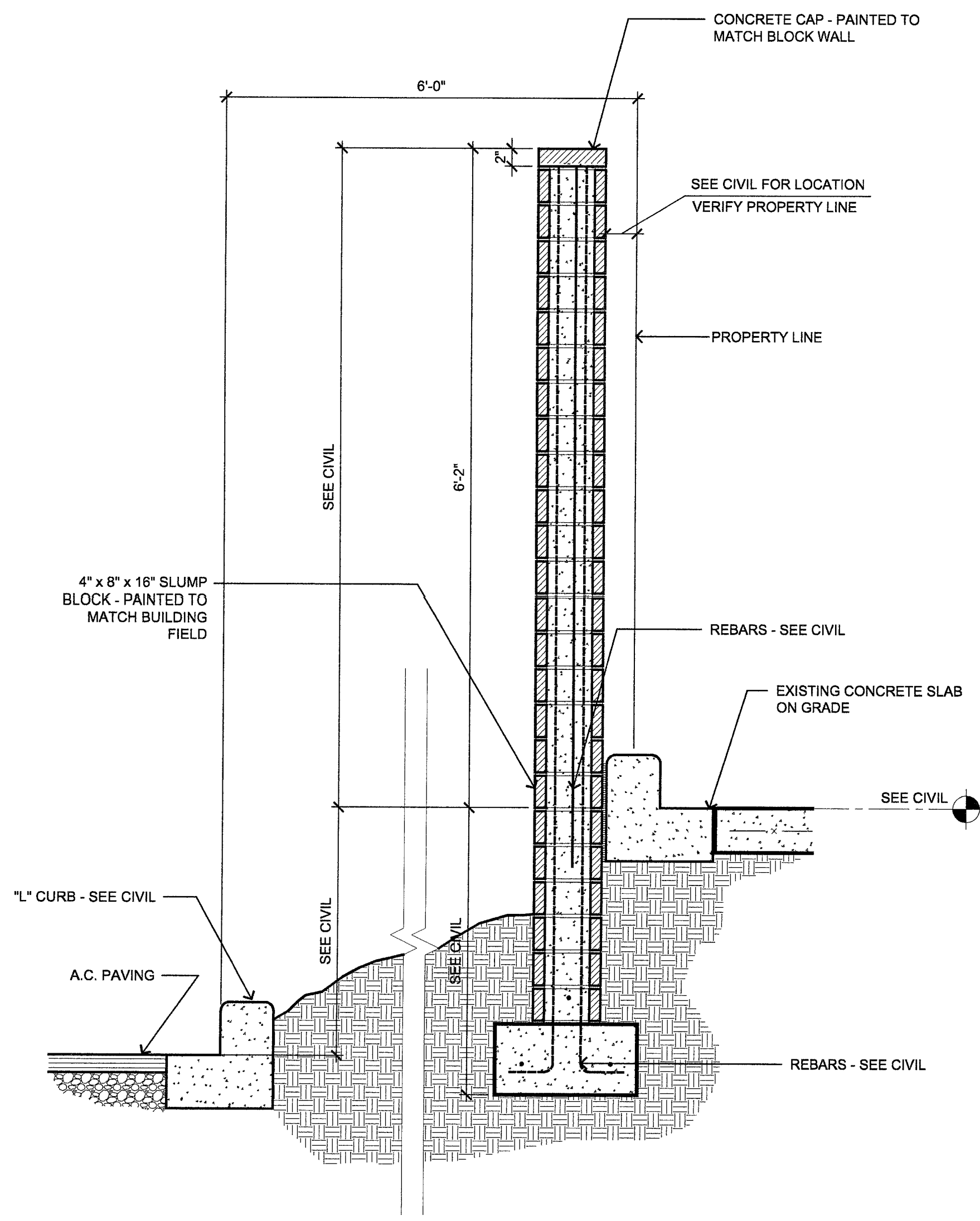
5 SCREEN WALL SECTION
1"=1'-0"



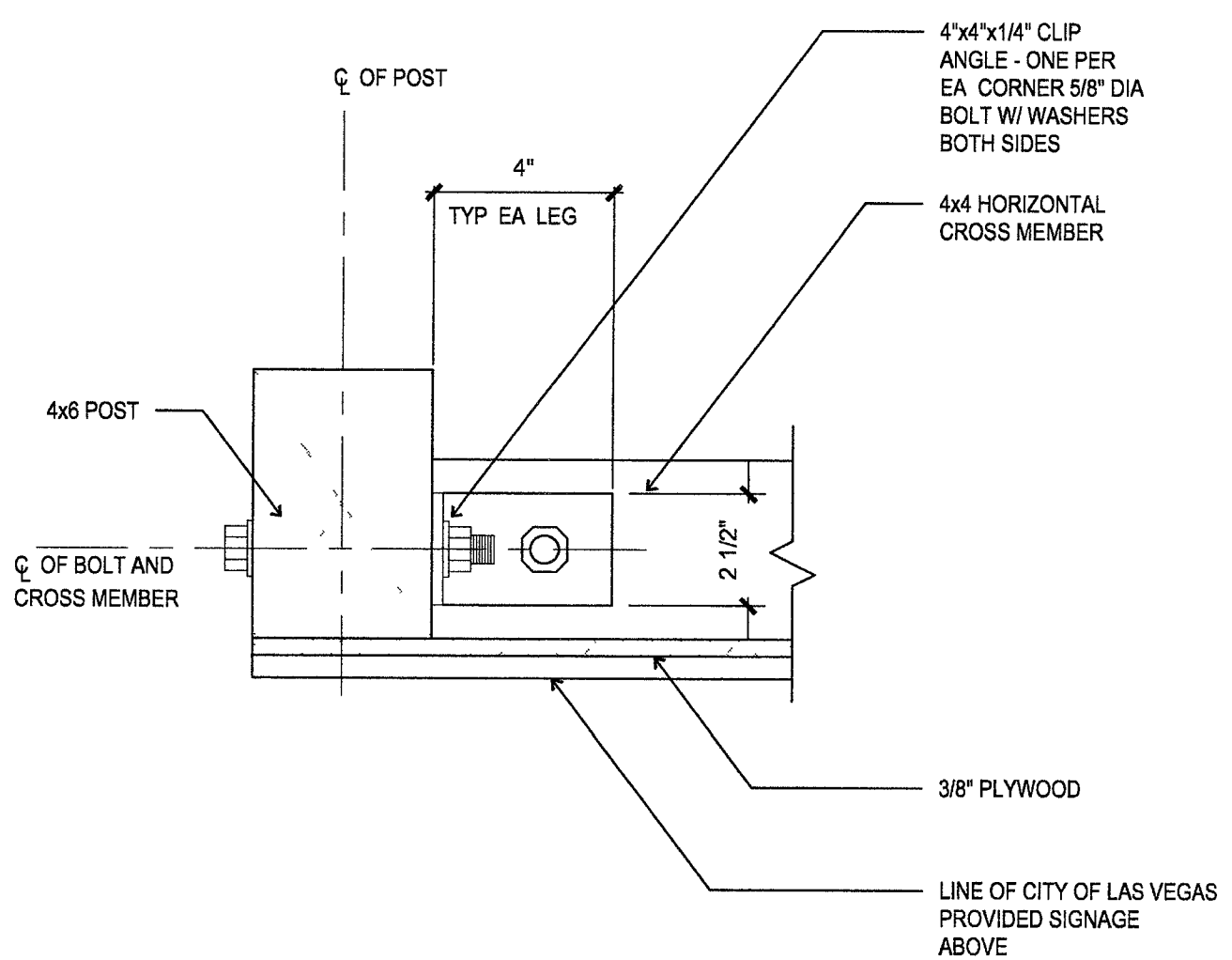
9 CONSTRUCTION SIGN DETAIL (NOT USED)
1/2"=1'-0"



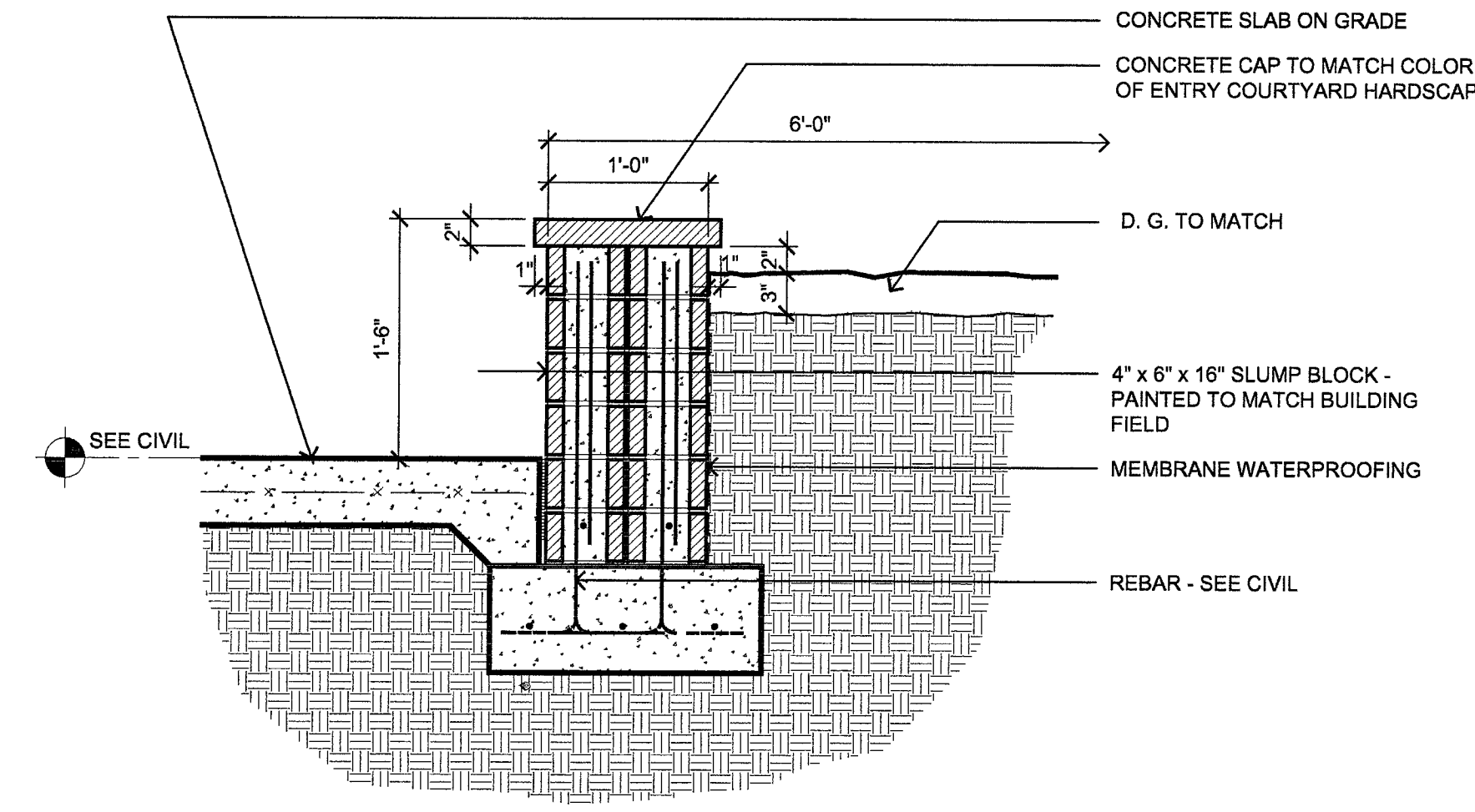
13 HANDRAIL VERTICAL SUPPORT - SECTION
3"=1'-0"



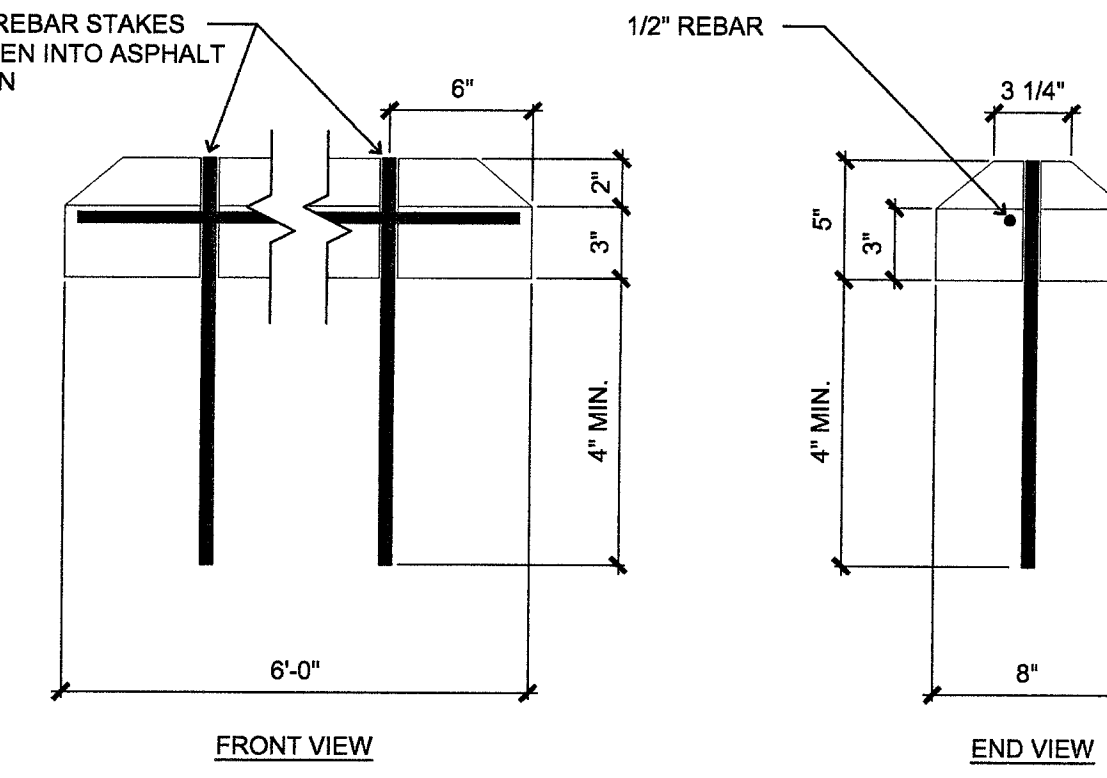
6 SECURITY WALL SECTION
1"=1'-0"



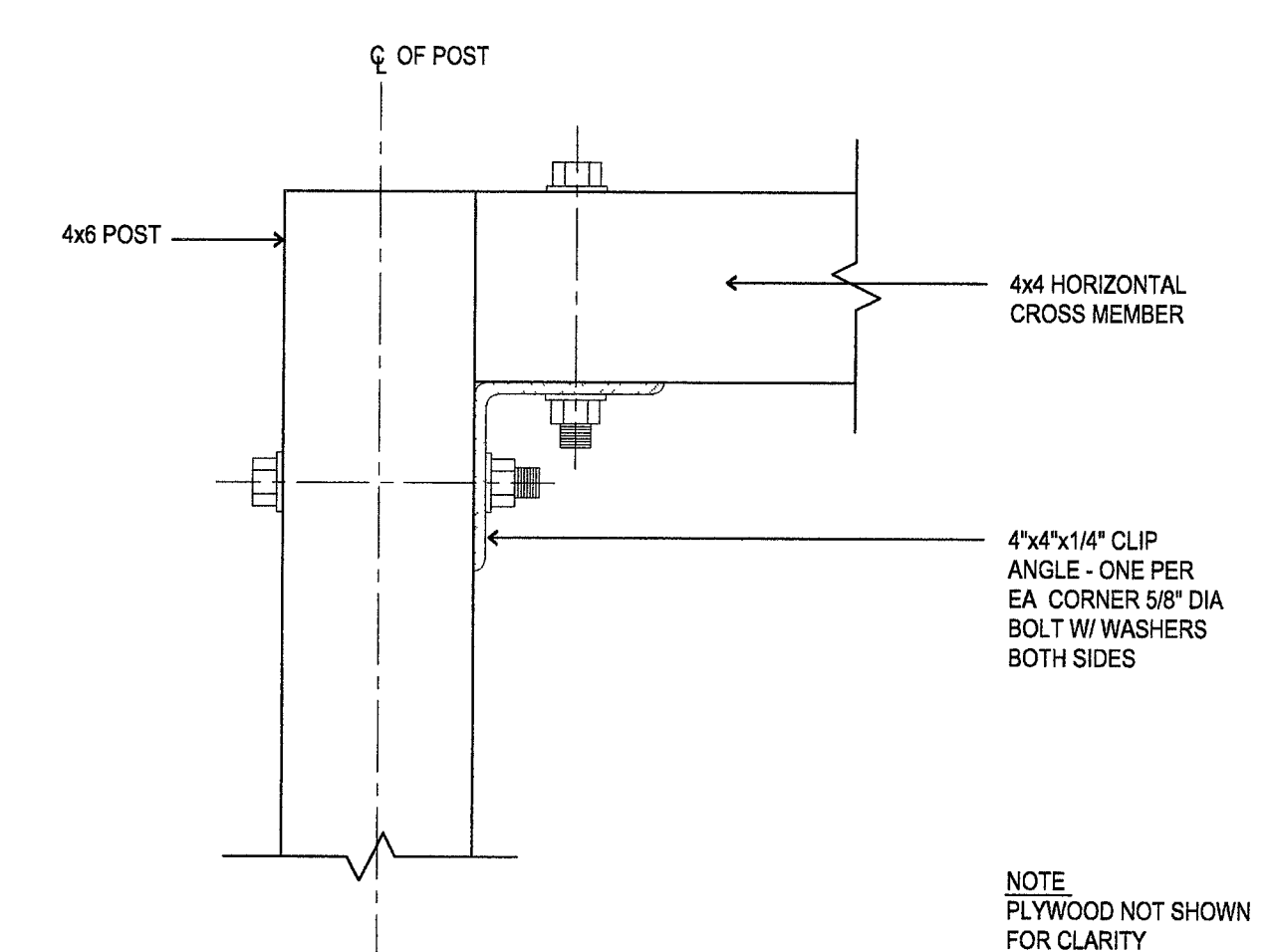
10 SIGNAGE COLUMN DETAIL (NOT USED)
3"=1'-0"



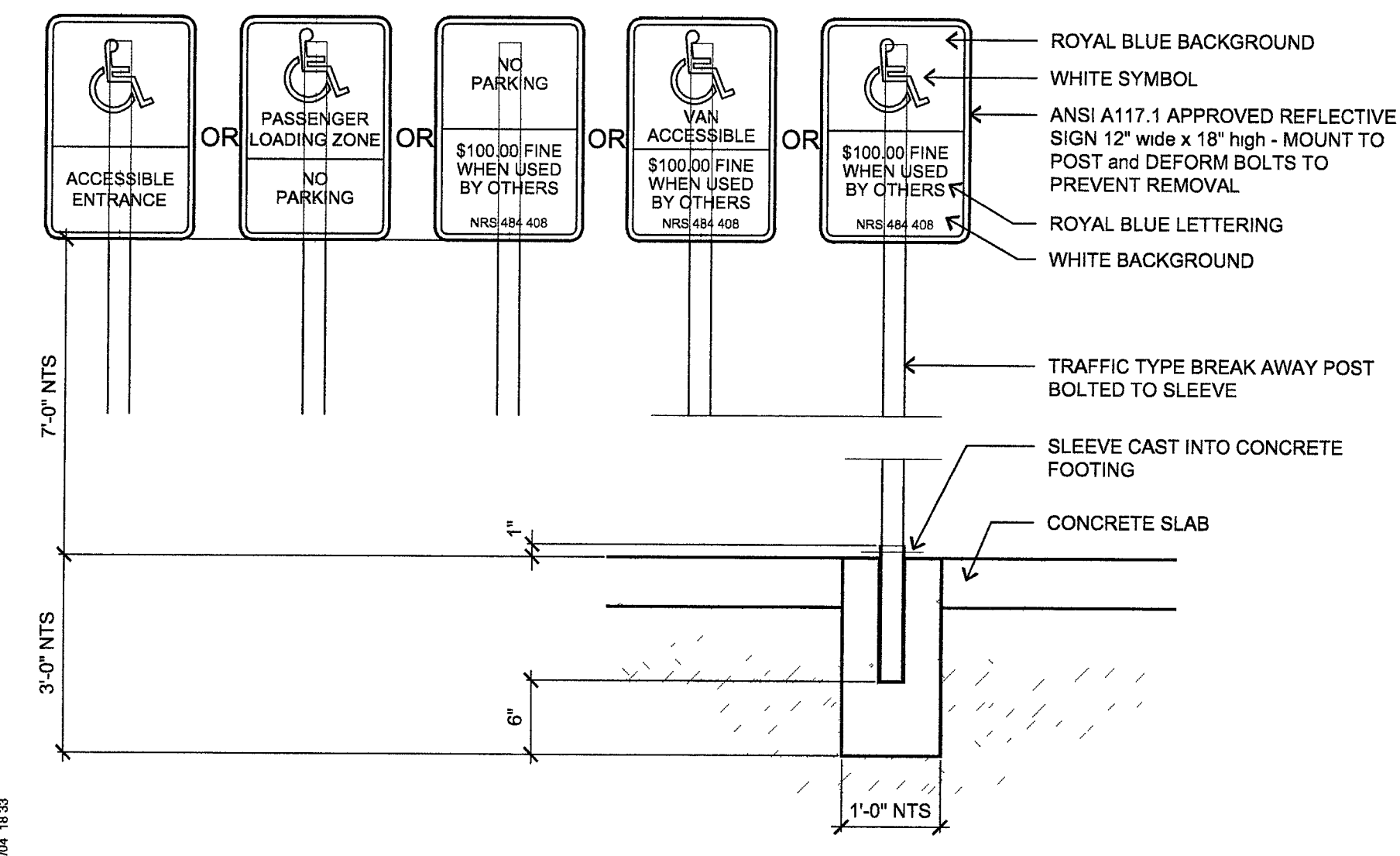
3 PLANTER SITTING WALL DETAIL
1"=1'-0"



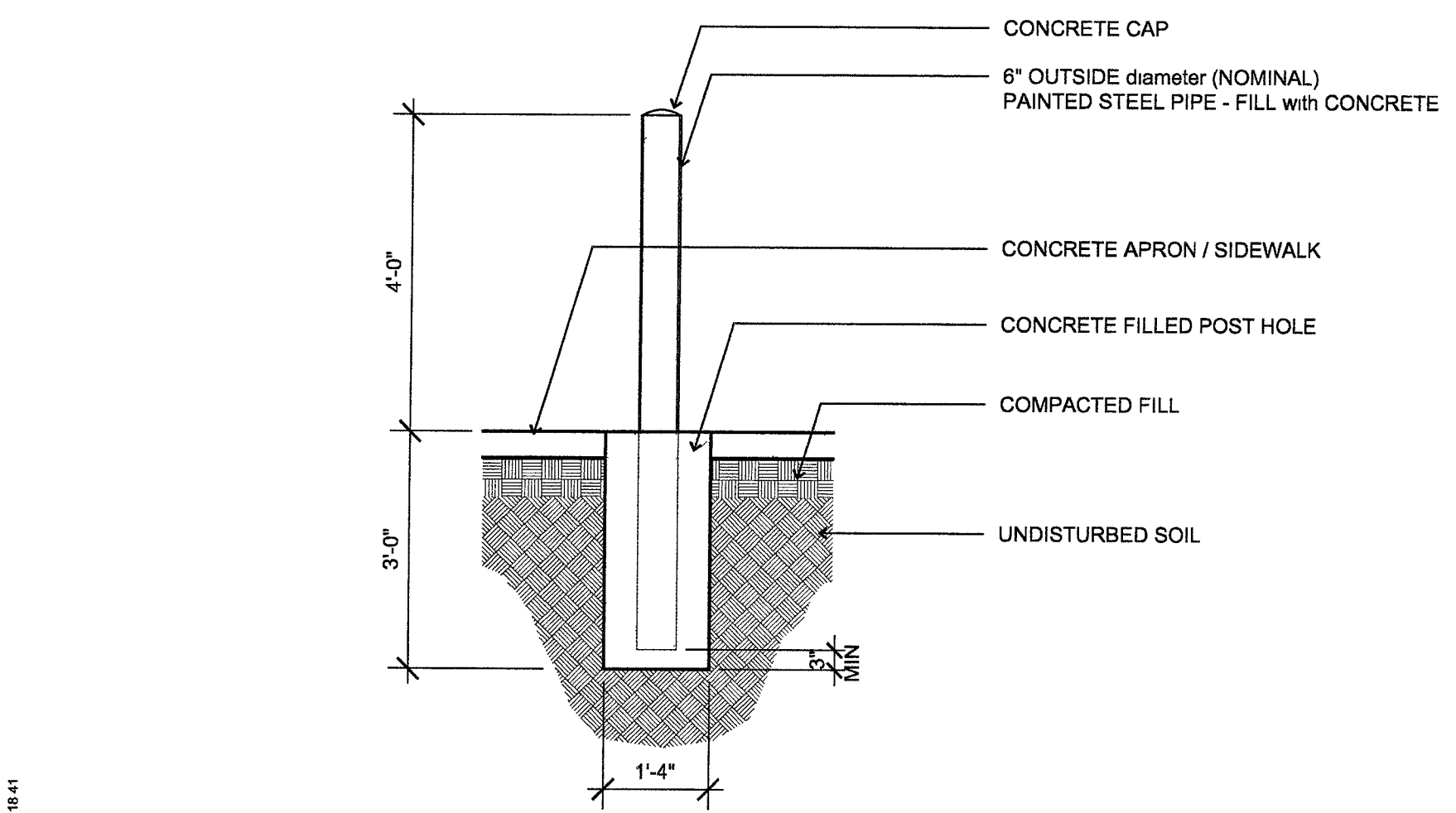
7 PARKING BUMPER
NOT TO SCALE



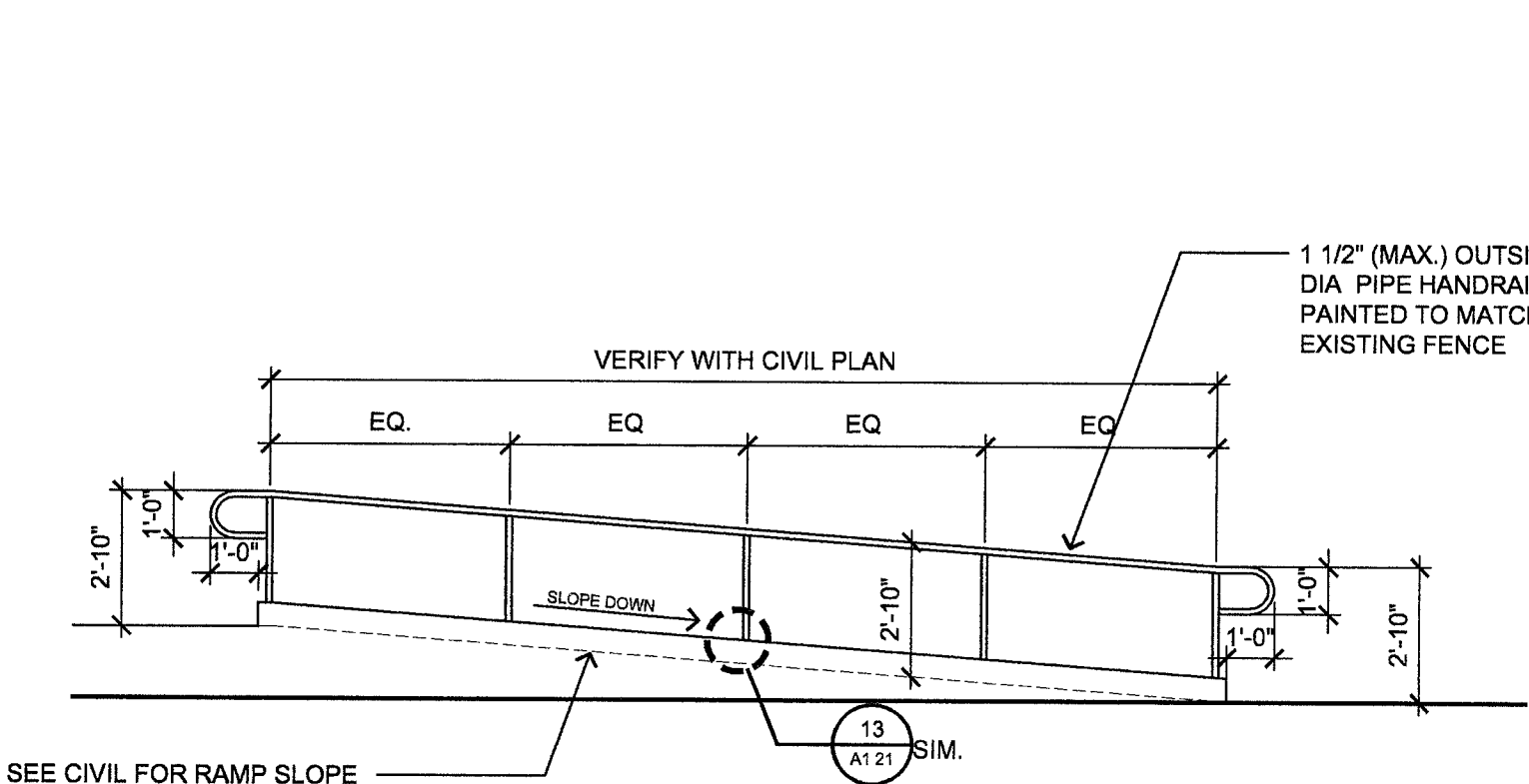
11 CORNER DETAIL (NOT USED)
3"=1'-0"



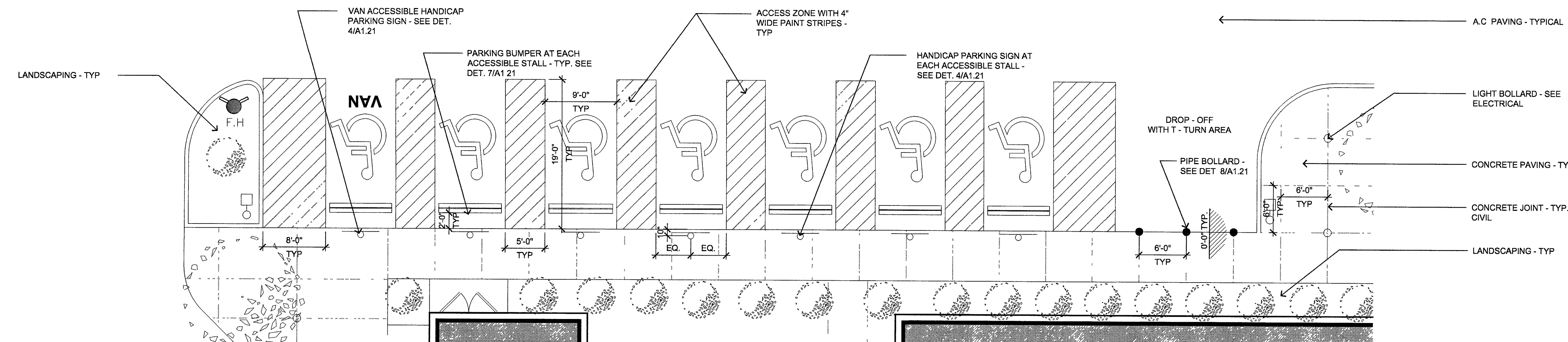
4 ELEVATION OF HANDICAP SIGN
NOT TO SCALE



8 PIPE BOLLARD DETAIL
1/2"=1'-0"



12 ELEVATION RAMP
1/4"=1'-0"



14 ACCESSIBLE PARKING PLAN
1/8"=1'-0"