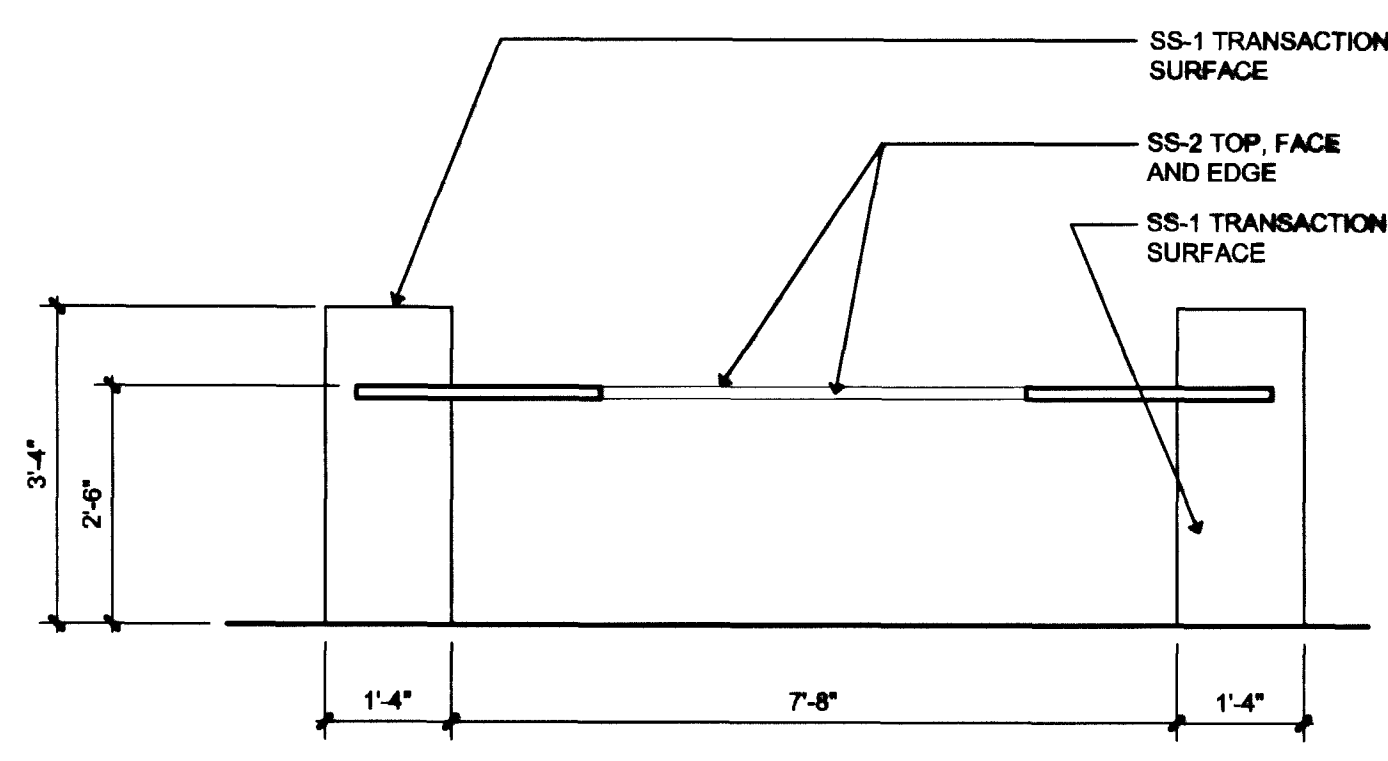
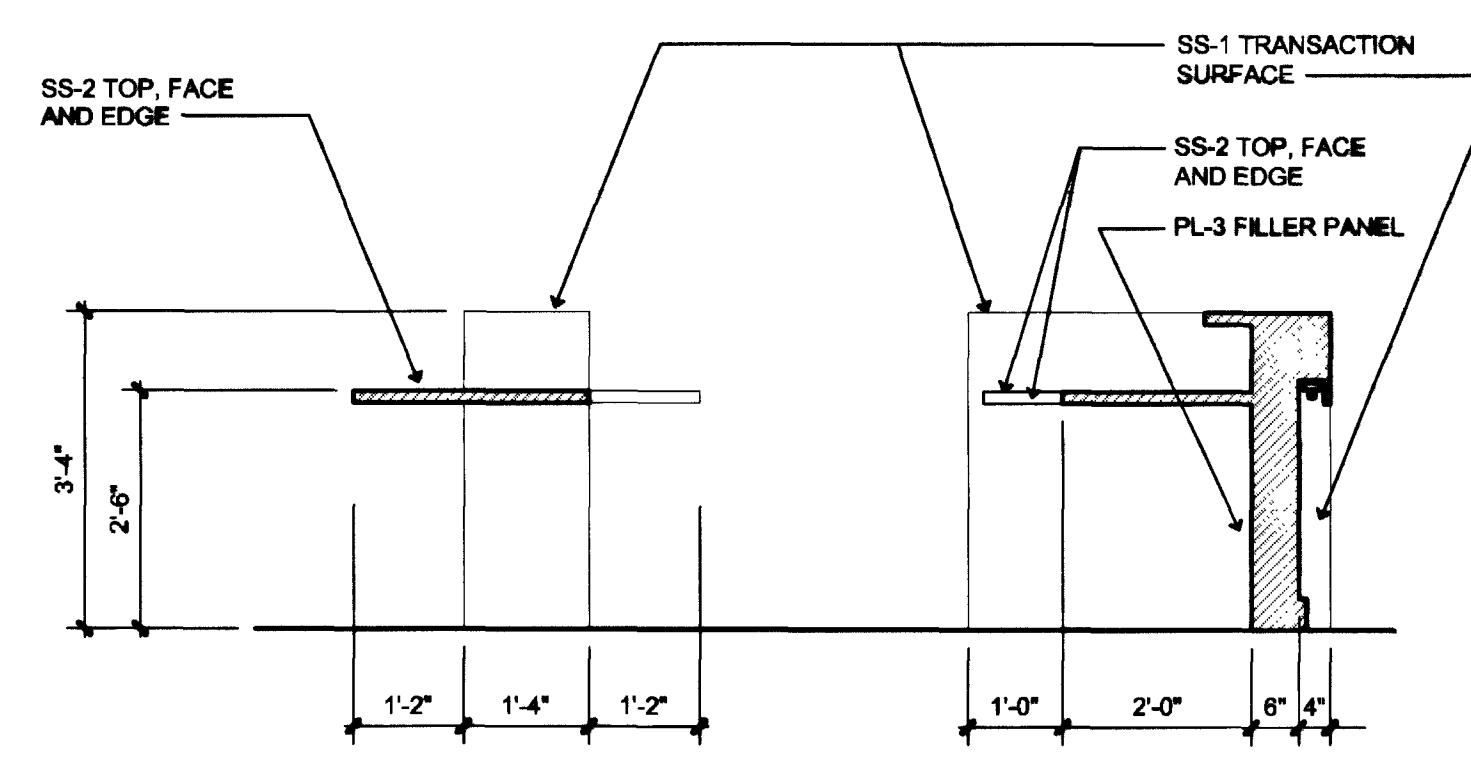


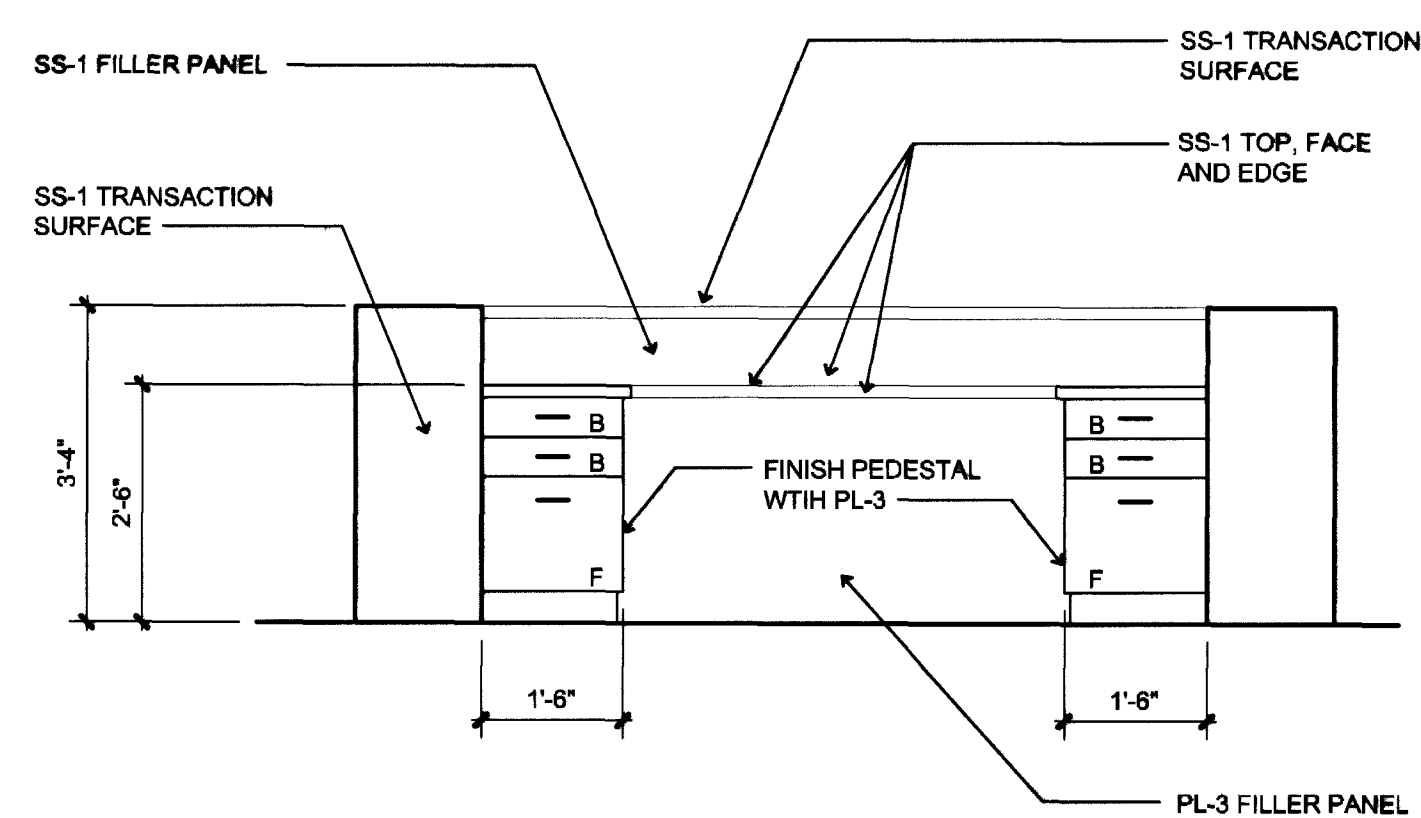
5 CASEWORK PLAN - LOBBY
1/2"=1'-0"



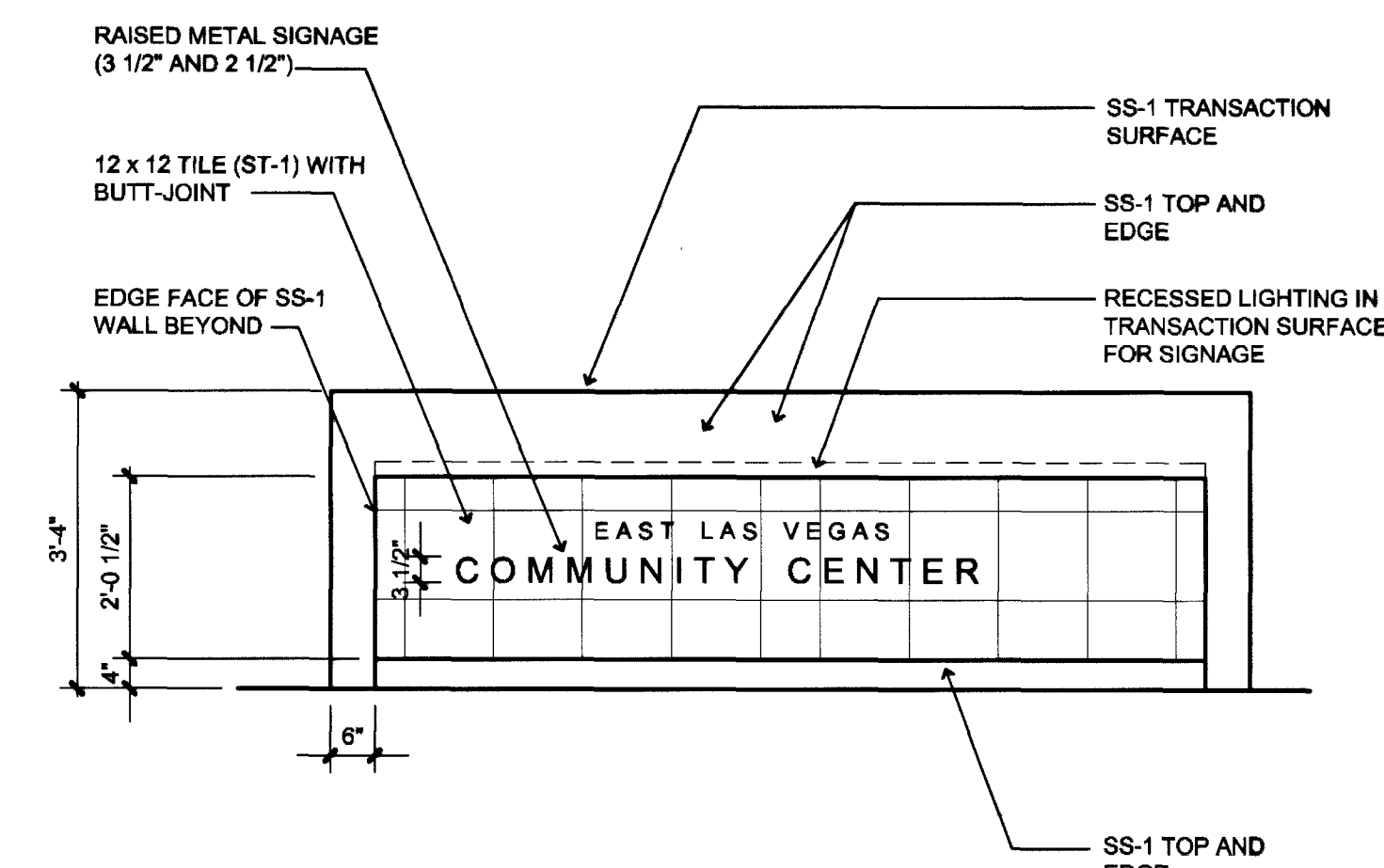
2 CASEWORK ELEVATION - LOBBY
1/2"=1'-0"



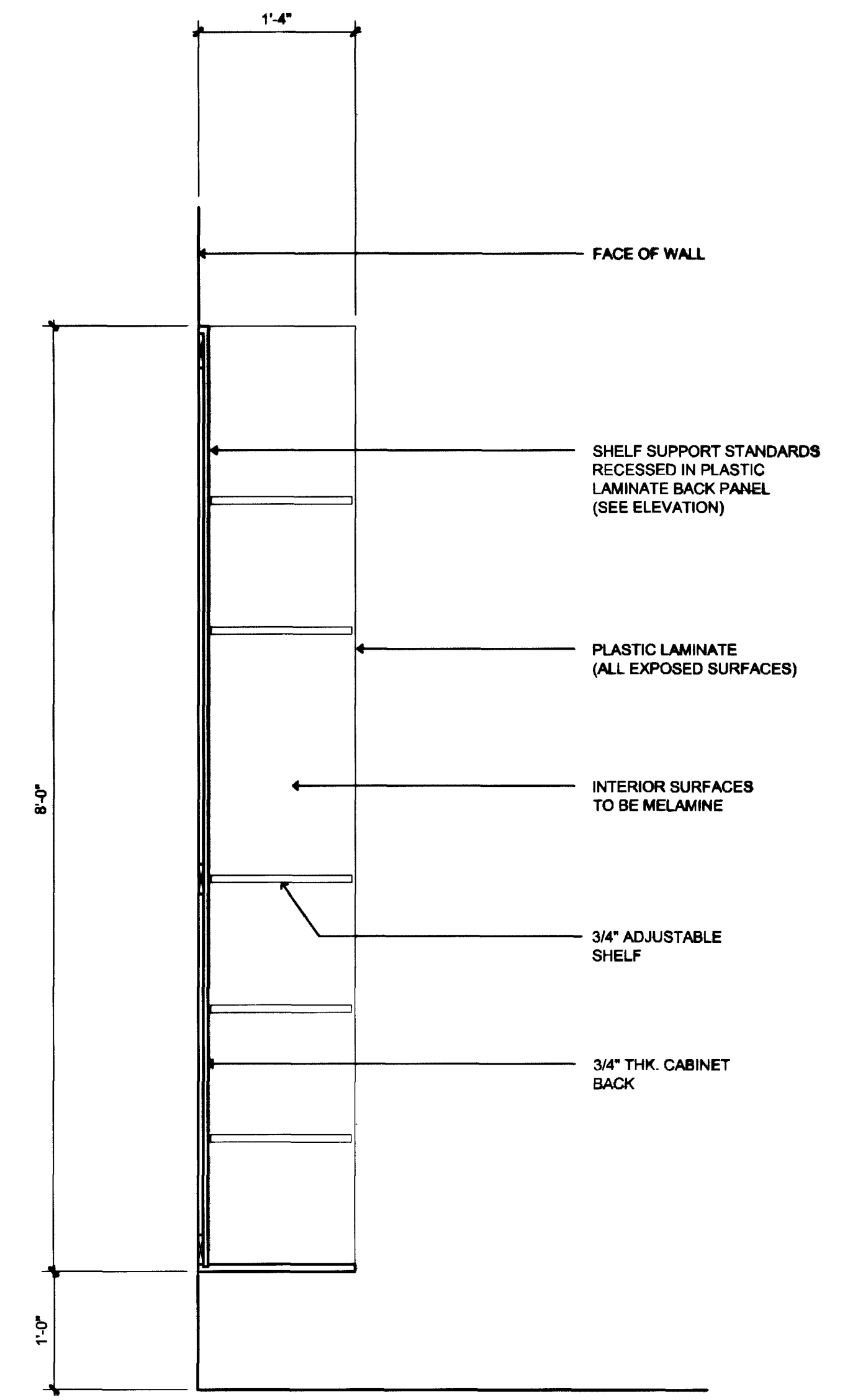
3 CASEWORK ELEVATION - LOBBY
1/2"=1'-0"



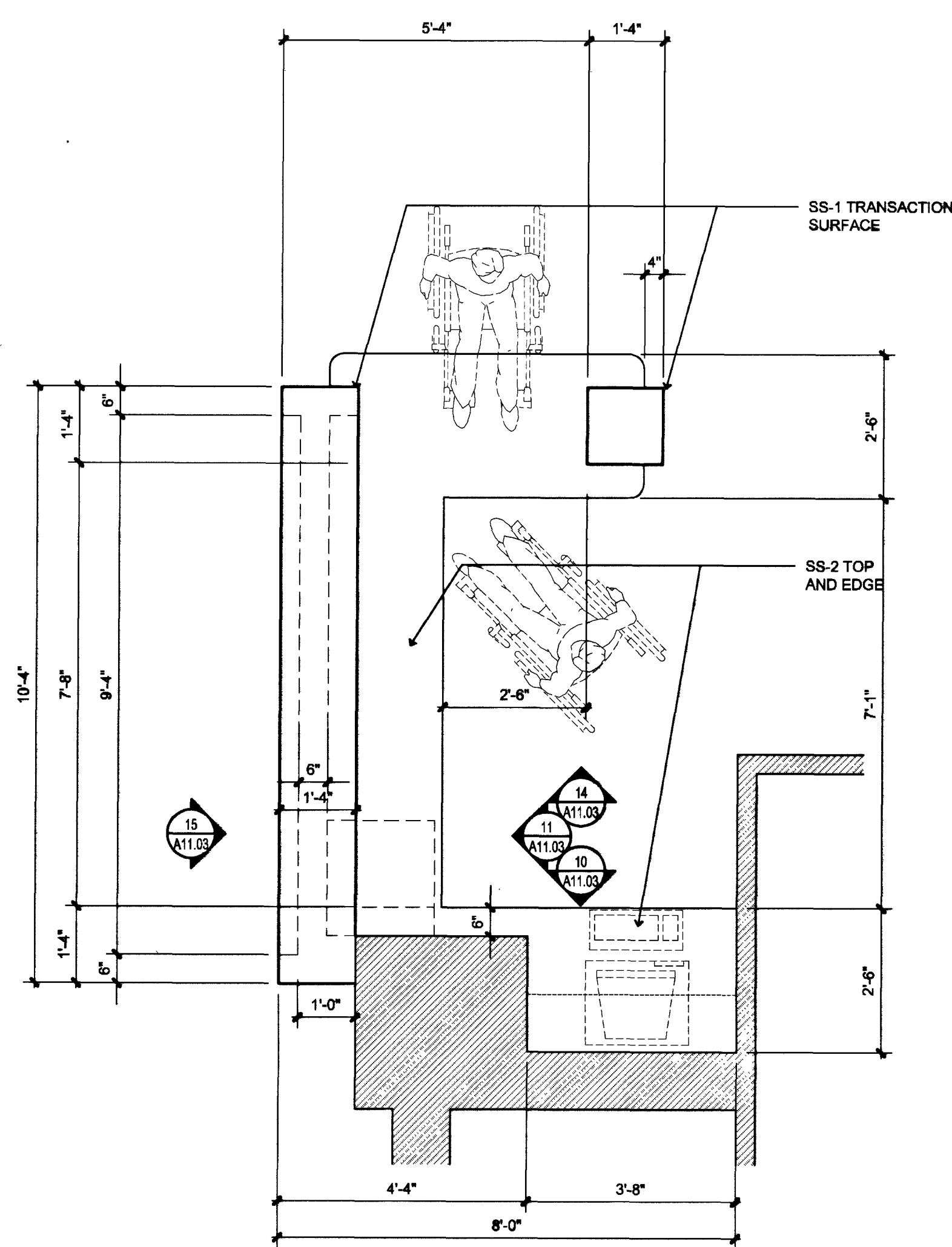
6 CASEWORK ELEVATION - LOBBY
1/2"=1'-0"



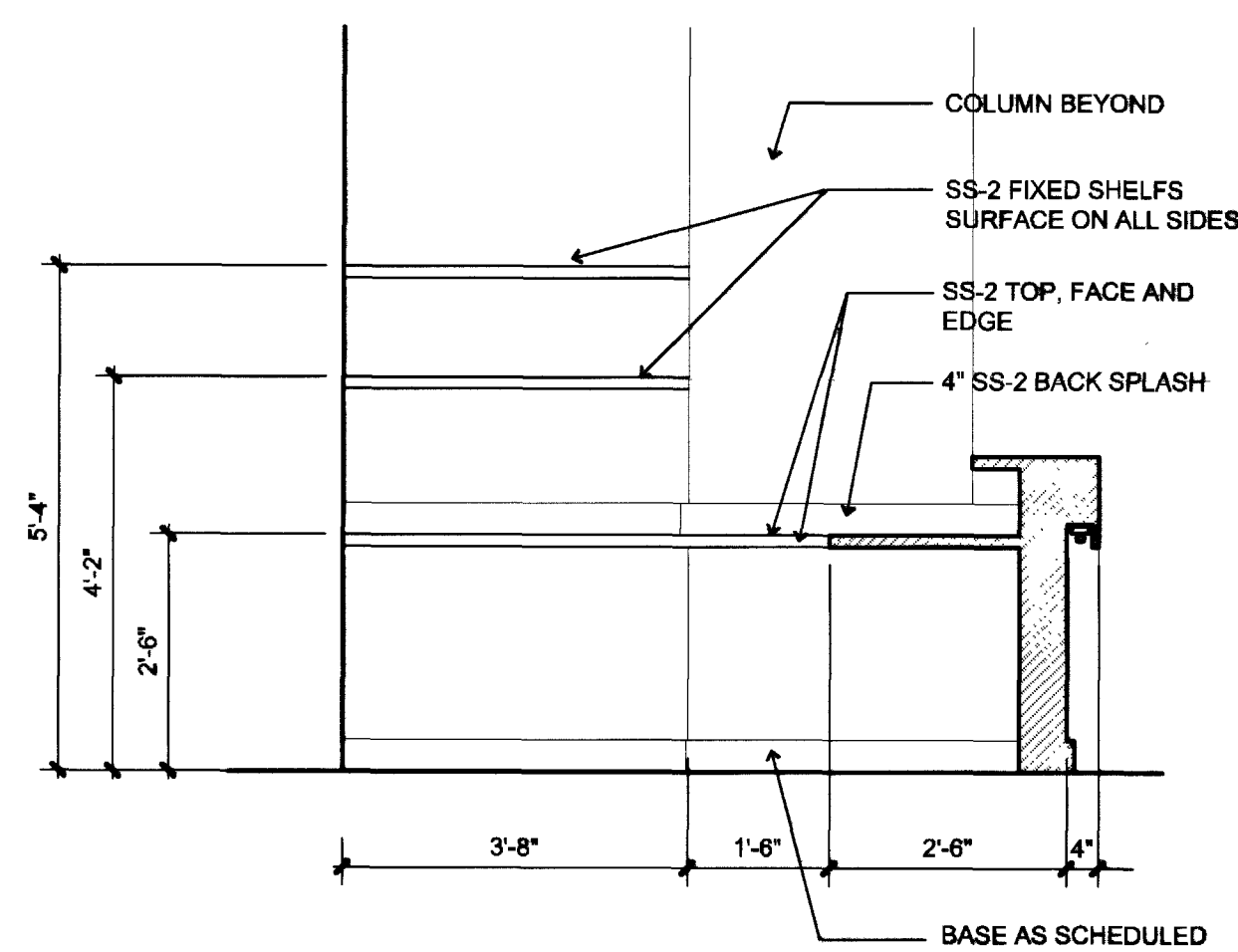
7 CASEWORK ELEVATION - LOBBY
1/2"=1'-0"



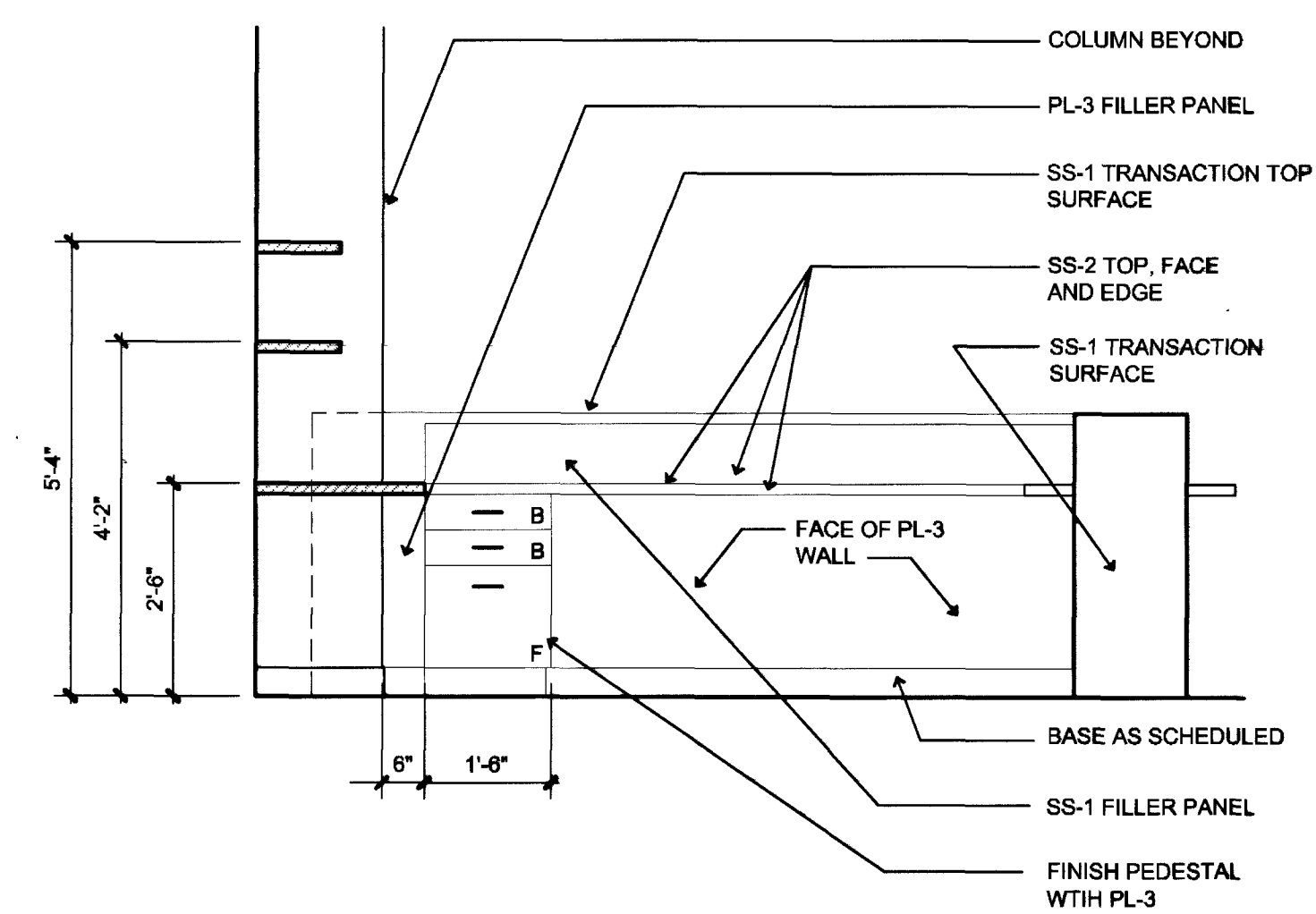
8 SECTION at TALL CABINET
1"=1'-0"



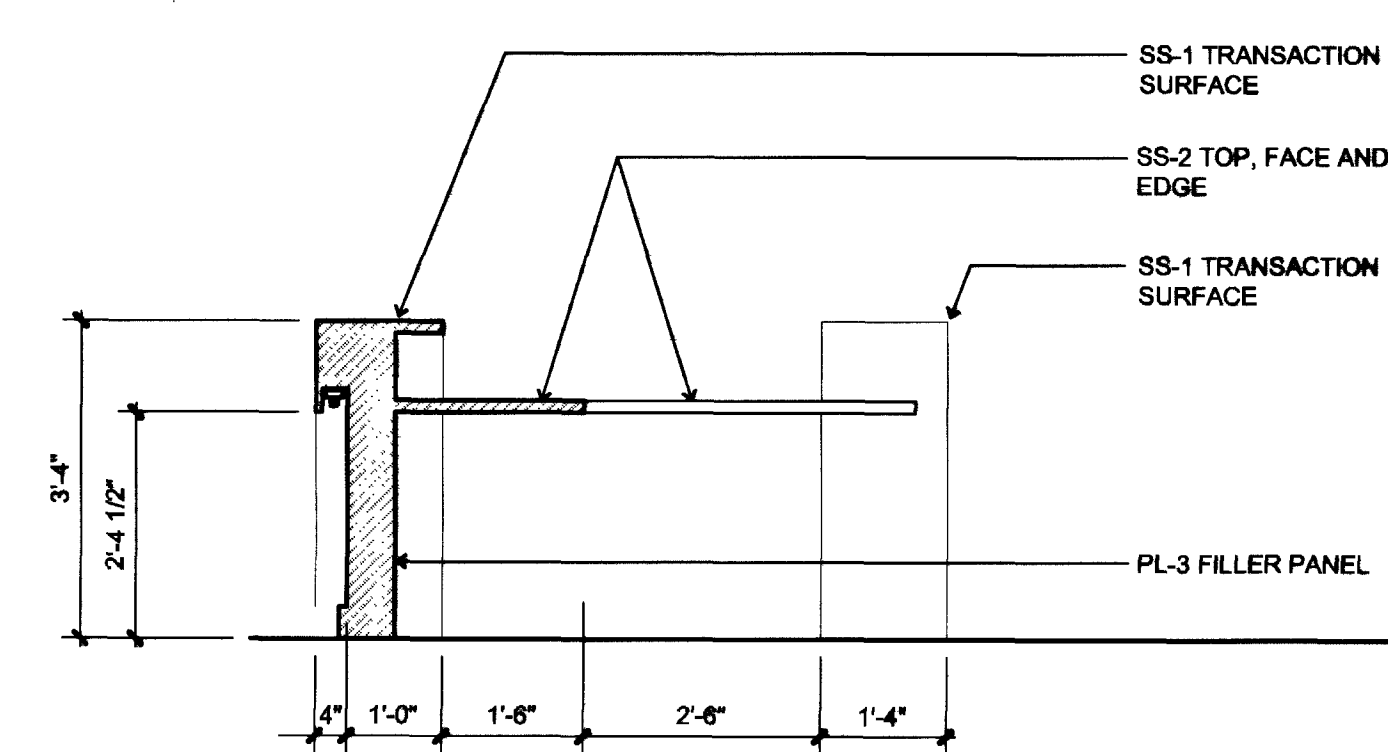
13 CASEWORK PLAN - RECEPTION
1/2"=1'-0"



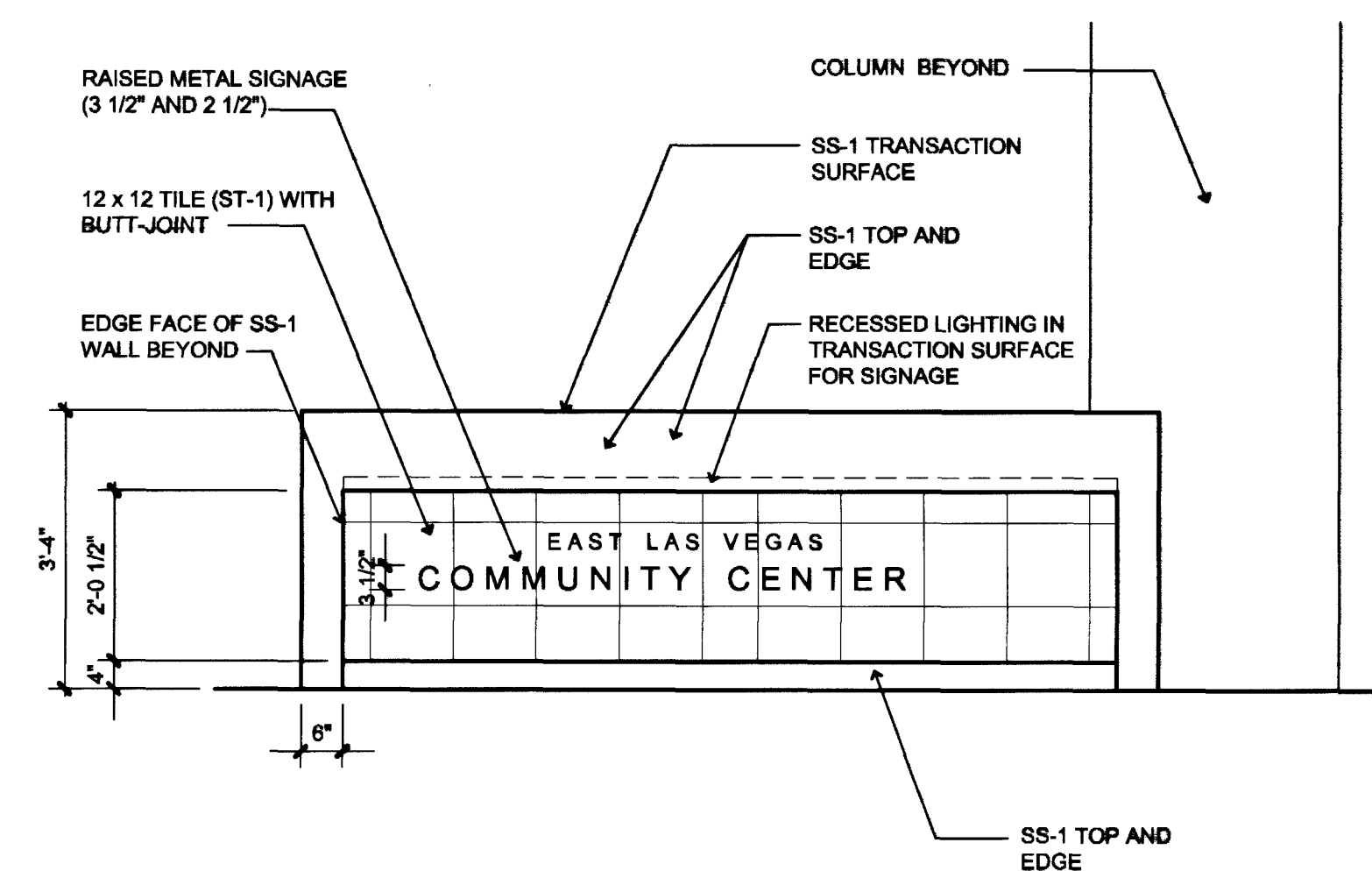
10 CASEWORK ELEVATION - RECEPTION
1/2"=1'-0"



11 CASEWORK ELEVATION - RECEPTION
1/2"=1'-0"



14 CASEWORK ELEVATION - LOBBY
1/2"=1'-0"



15 CASEWORK ELEVATION - RECEPTION
1/2"=1'-0"

DEPARTMENT OF PUBLIC WORKS

East Las Vegas Community Center
Eastern and Stewart
Construction Documents

JMA ARCHITECTURE STUDIOS
1100 S. LAS VEGAS BLVD., SUITE 100
LAS VEGAS, NEVADA 89101
PHONE: (702) 228-8838
FAX: (702) 228-8838
TDD: (702) 388-8108

RECORD DRAWING

OWNER: CITY OF LAS VEGAS
DEPARTMENT OF PUBLIC WORKS
ARCHITECTURAL SERVICES

DRAWN: N. Niccum
DATE: August 2, 2001
NO. 01.15301.22
CITY DOC NO. 521-288

A11.03